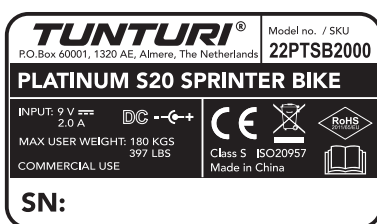


# TUNTURI®

## PLATINUM SB20 SPRINTER BIKE

<b>GB</b>	<b>User manual</b>	<b>14 - 22</b>
DE	Benutzerhandbuch	23 - 31
FR	Manuel de l'utilisateur	32 - 40
NL	Gebruikershandleiding	41 - 49
IT	Manuale d'uso	50 - 58
ES	Manual del usuario	59 - 67
SV	Bruksanvisning	68 - 75
SU	Käyttöohje	76 - 83



**Attention, Achtung, Attention, Attentie, Attenzione, Atención, Giv akt, Huomio**

- **Please read this user manual carefully prior to using this product.**
- Lesen Sie sich vor dem Gebrauch des Produkts diese Bedienungsanleitung sorgfältig durch.
- Veuillez lire attentivement le présent manuel de l'utilisateur avant d'utiliser ce produit.
- Lees deze gebruikershandleiding zorgvuldig voordat u dit product gaat gebruiken.
- Leggere attentamente questo manuale dell'utente prima di utilizzare il prodotto.
- Antes de utilizar este producto, lea atentamente este manual de usuario.
- Läs den här användarhandboken noggrant före användning av den här produkten.
- Lue tämä käyttöohje huolellisesti ennen tämän tuotteen käyttöä.





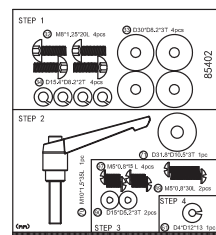
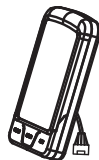
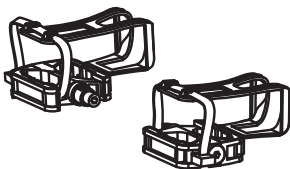
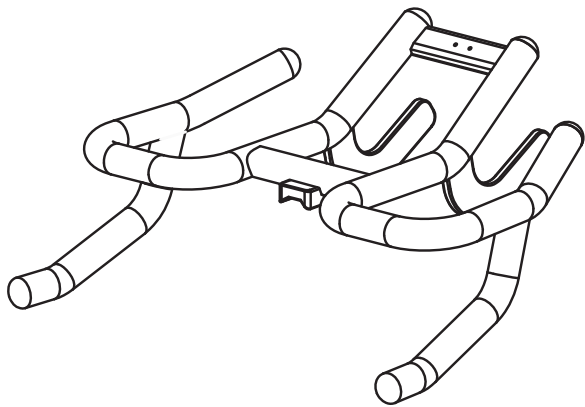
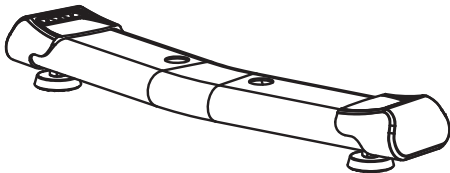
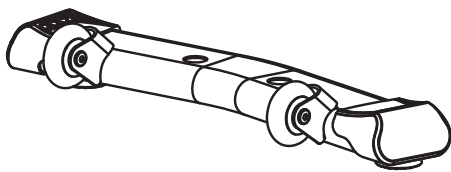
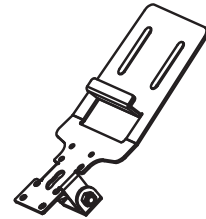
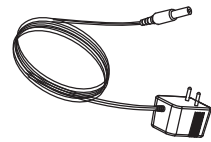
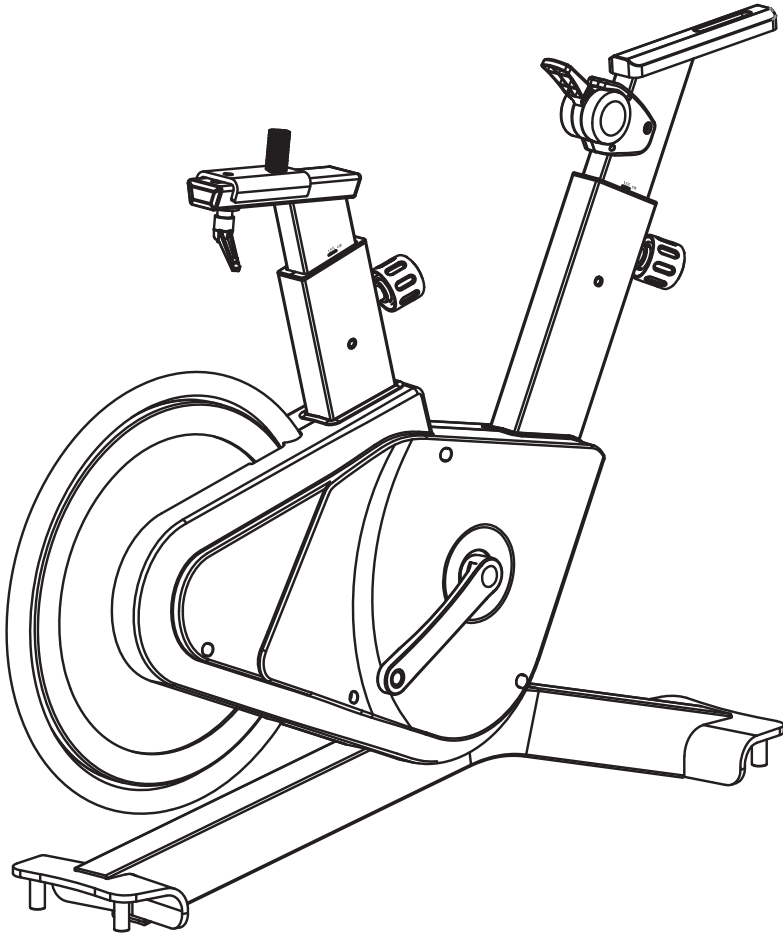
A





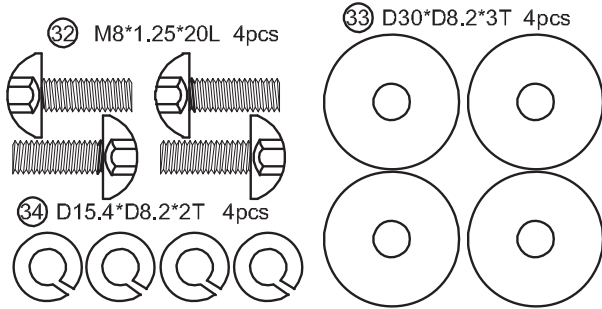
# Platinum SB20 Sprinter Bike

## B

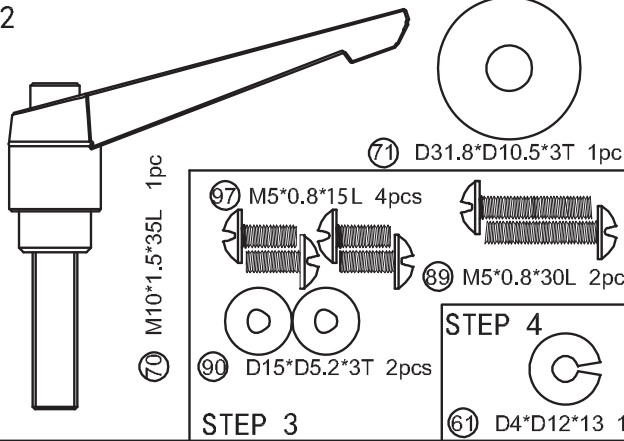


C

STEP 1



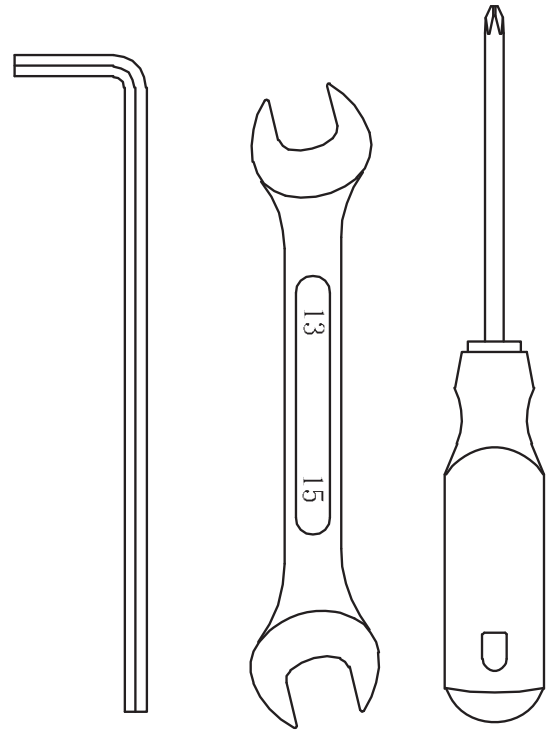
STEP 2



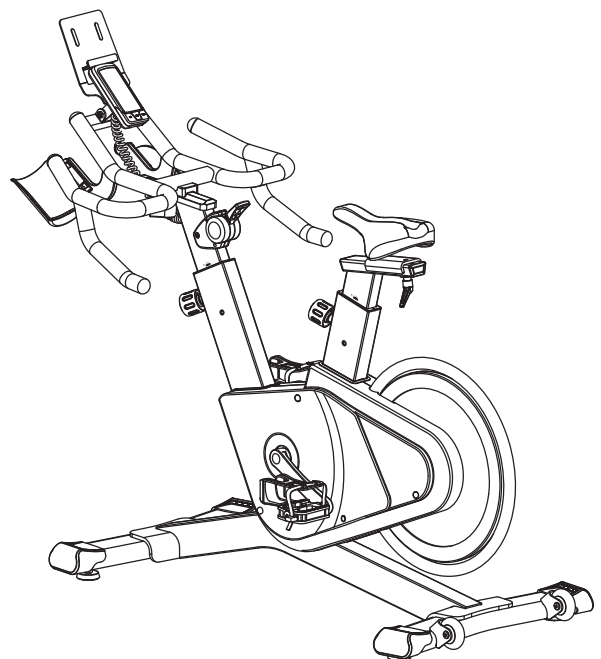
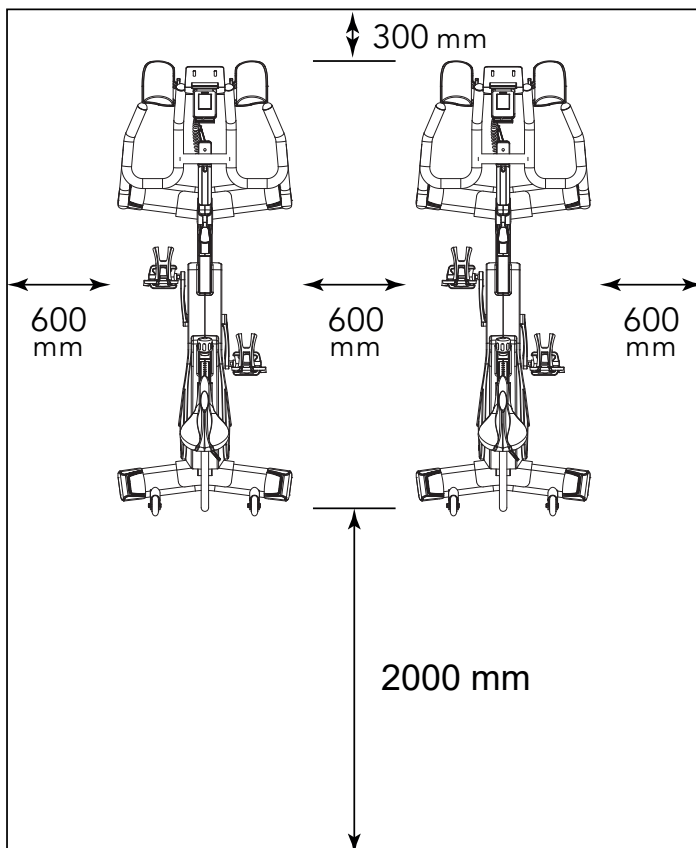
STEP 4



(mm)

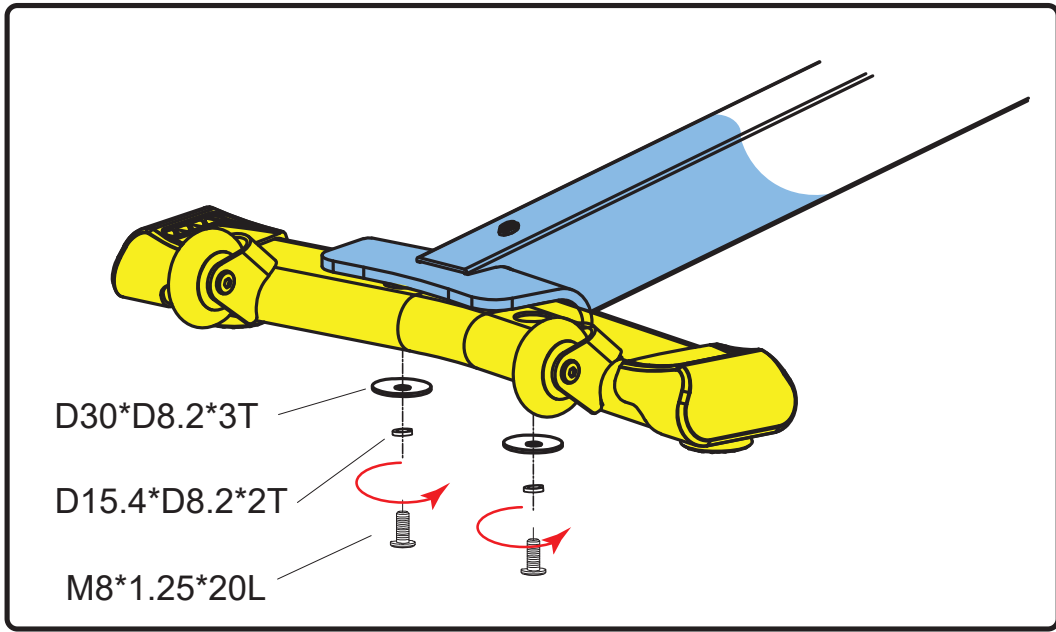
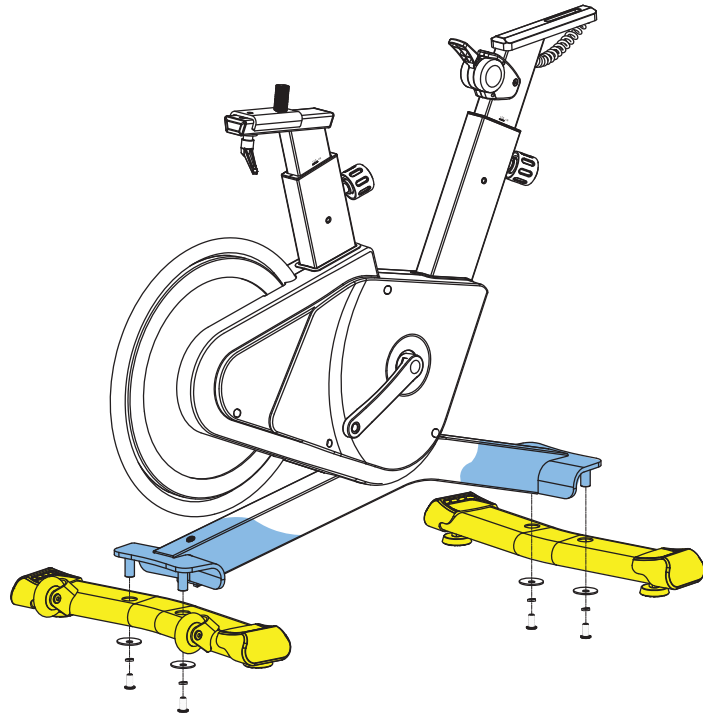


D-00

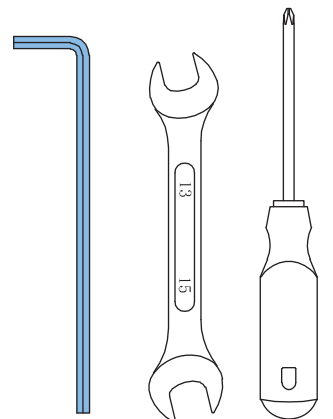




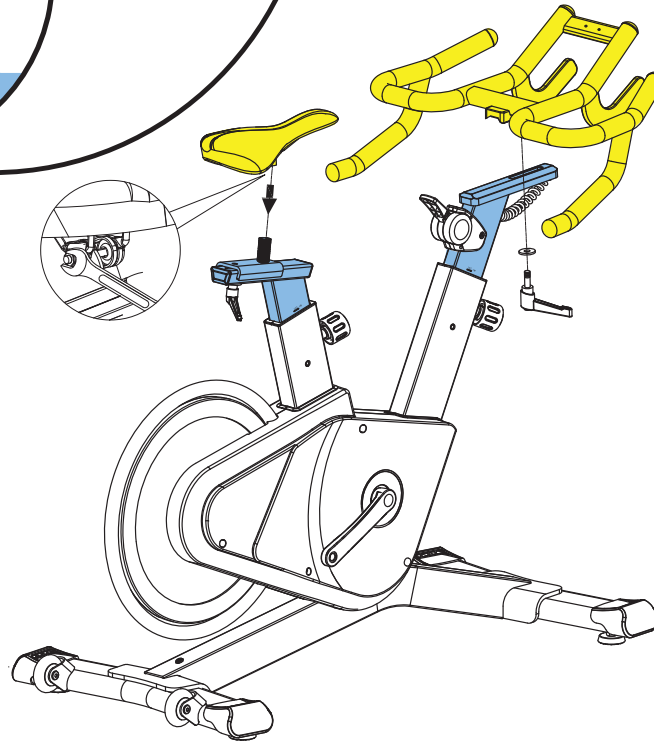
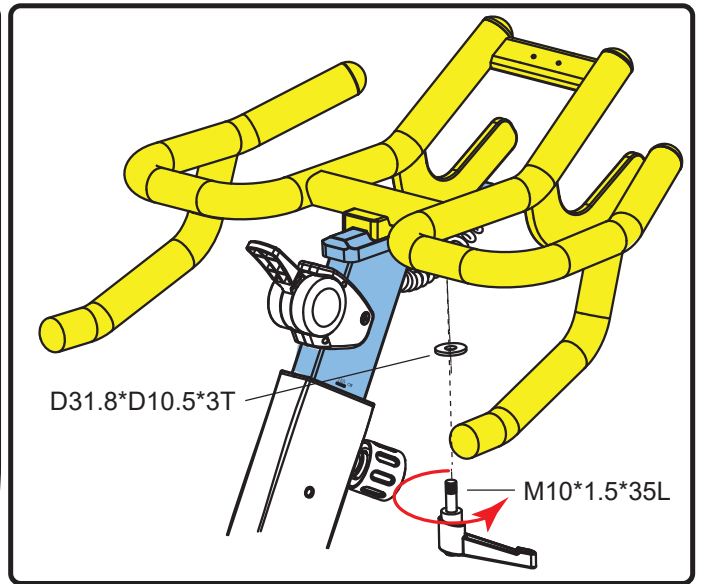
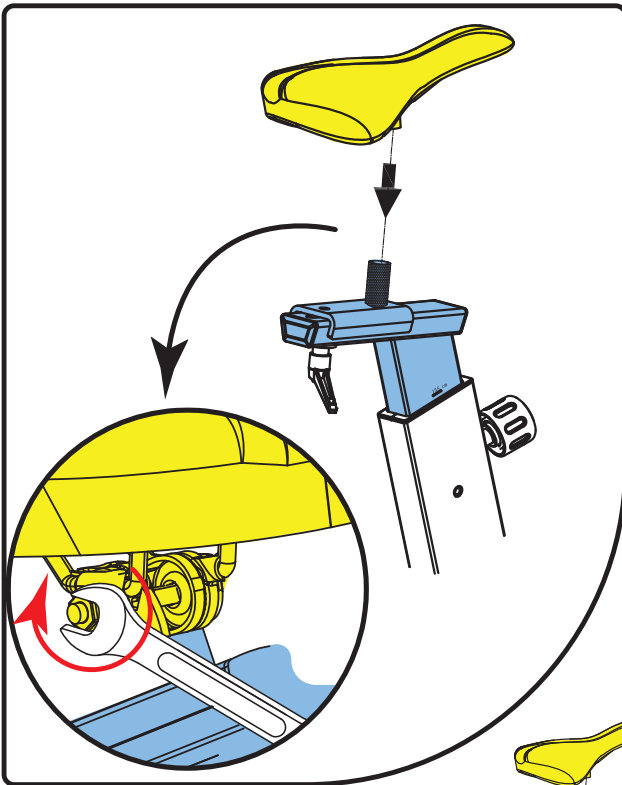
## D-01

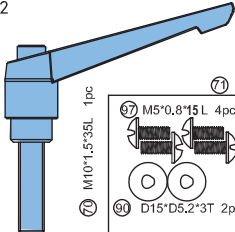



<b>STEP 1</b> 	
<b>STEP 2</b> 	
<b>STEP 3</b> 	<b>STEP 4</b> 

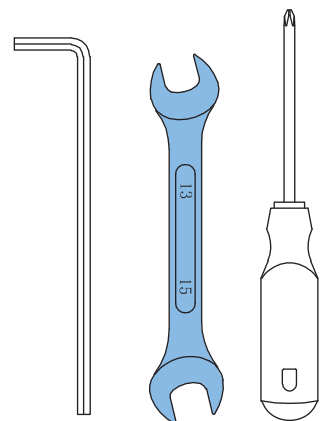


## D-02



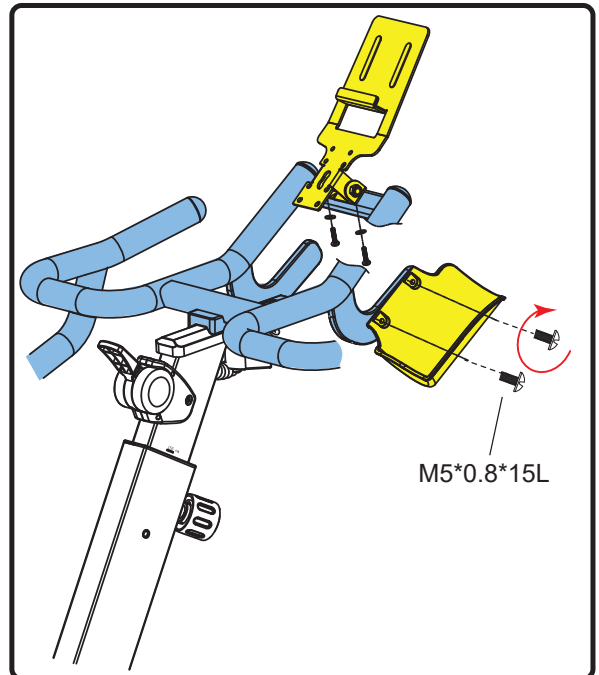
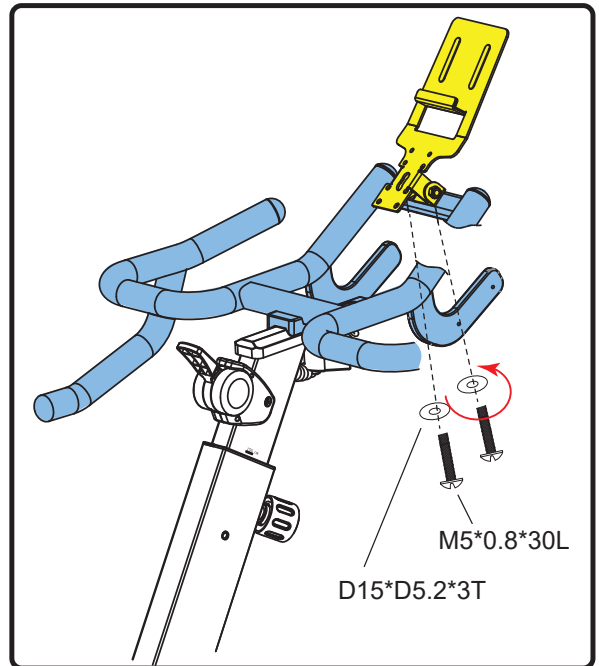
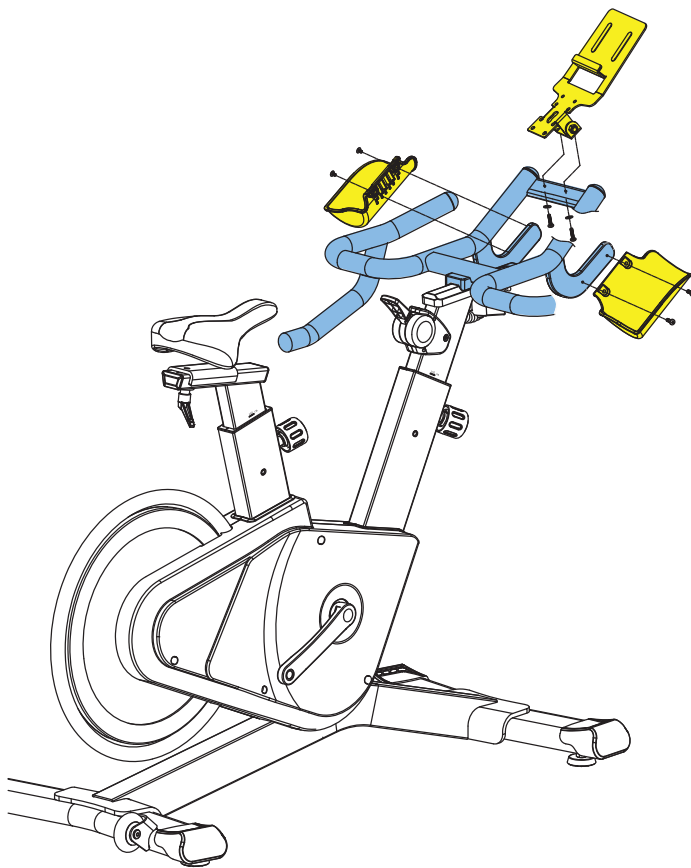
STEP 1	
② M8*1.25*20L 4pcs	③ D30*D8.2*3T 4pcs
④ D15.4*D8.2*2T 4pcs	
STEP 2	
	
⑦ M10*1.5*35L 1pc	⑦ D31.8*D10.5*3T 1pc
⑧ M5*0.8*15L 4pcs	⑨ M5*0.8*30L 2pcs
⑩ D15*D5.2*3T 2pcs	STEP 4
STEP 3	⑪ D4*D12*13 1pc

(mm)



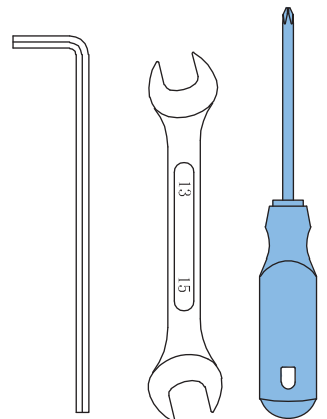


## D-03

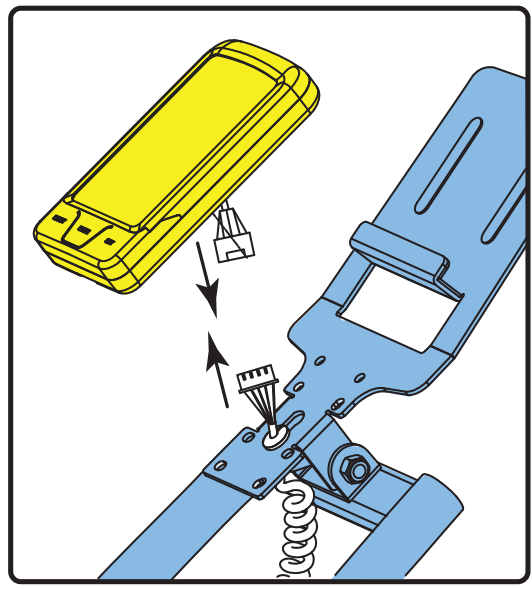
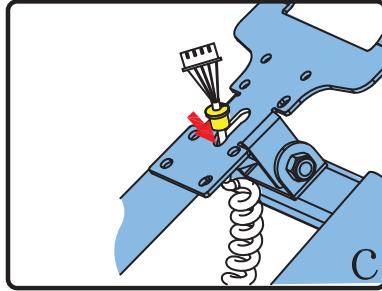
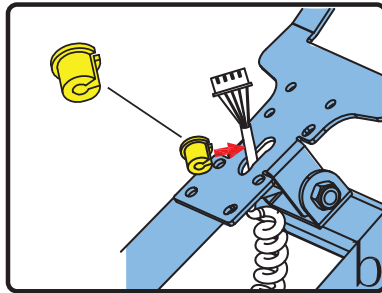
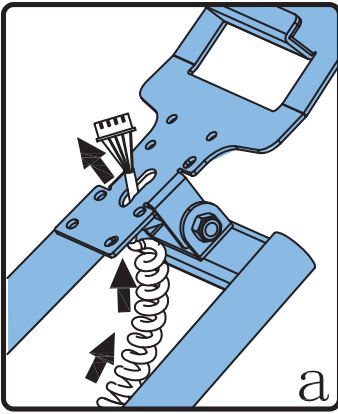


STEP 1	
② M8*1.25*20L 4pcs	③ D30*D8.2*3T 4pcs
④ D15.4*D8.2*2T 4pcs	
STEP 2	
⑦ D31.8*D10.5*3T 1pc	
⑧ M10*1.5*35L 1pc	⑨ M5*0.8*30L 2pcs
⑩ D15*D5.2*3T 2pcs	⑪ M5*0.8*15L 4pcs
STEP 3	STEP 4
⑫ D4*D12*13 1pc	

(mm)




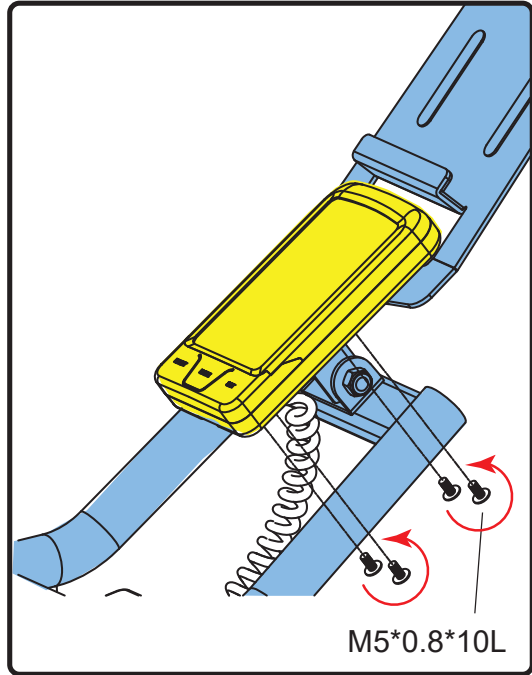
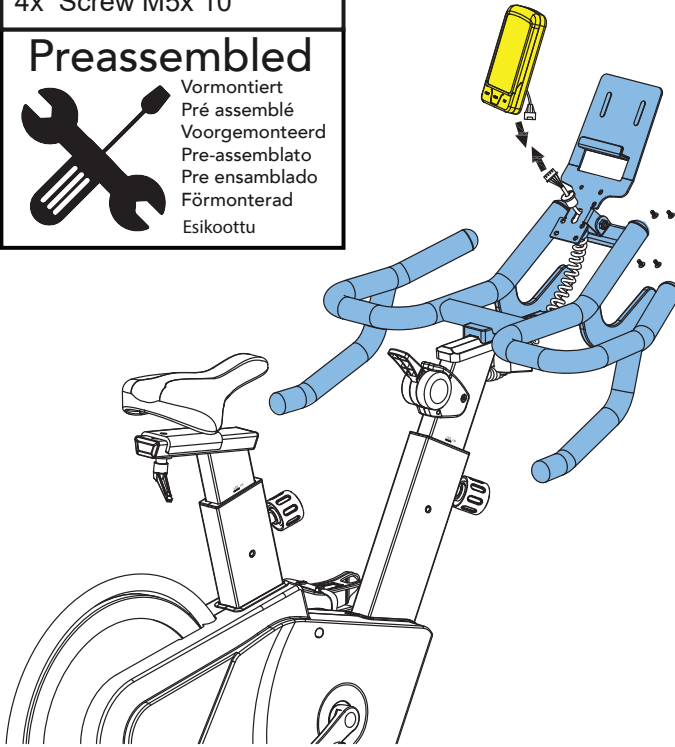
D-04




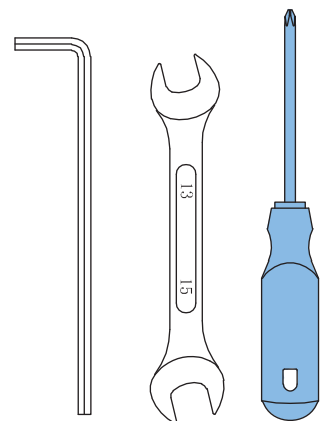
4x Screw M5x 10

**Preassembled**

Vormontiert  
Pré assemblé  
Voorgemonteerd  
Pre-assemblato  
Pre ensamblado  
Förmonterad  
Esikoottu

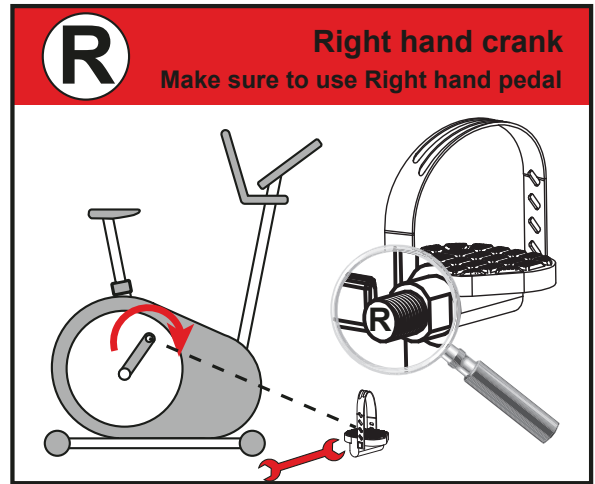
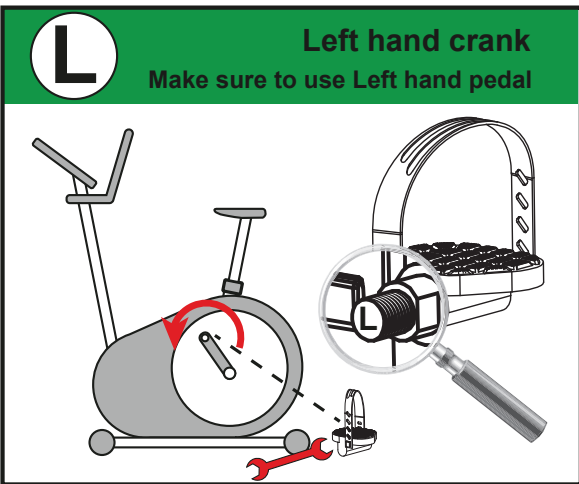
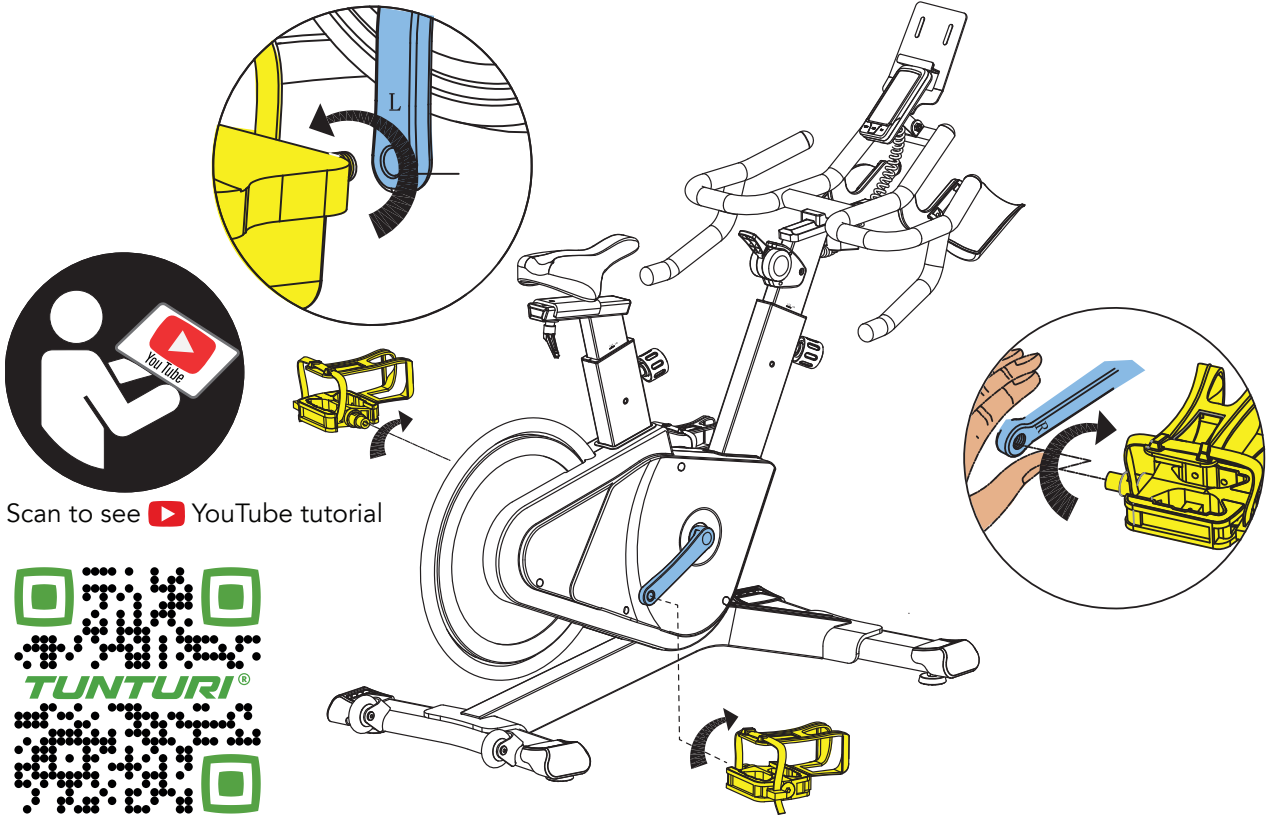



STEP 1	
② M8*1.25*20L 4pcs	③ D30*D8.2*3T 4pcs
④ D15.4*D8.2*2T 4pcs	
STEP 2	
⑦ M10*1.5*35L 1pc	⑦ D31.8*D10.5*3T 1pc
	⑧ M5*0.8*15 L 4pcs
	⑨ M5*0.8*30L 2pcs
	⑩ D15*D5.2*3T 2pcs
STEP 3	STEP 4
⑪ D4*D12*13 1pc	

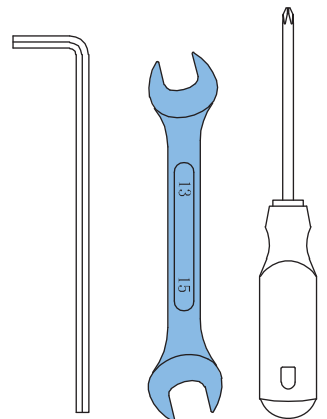




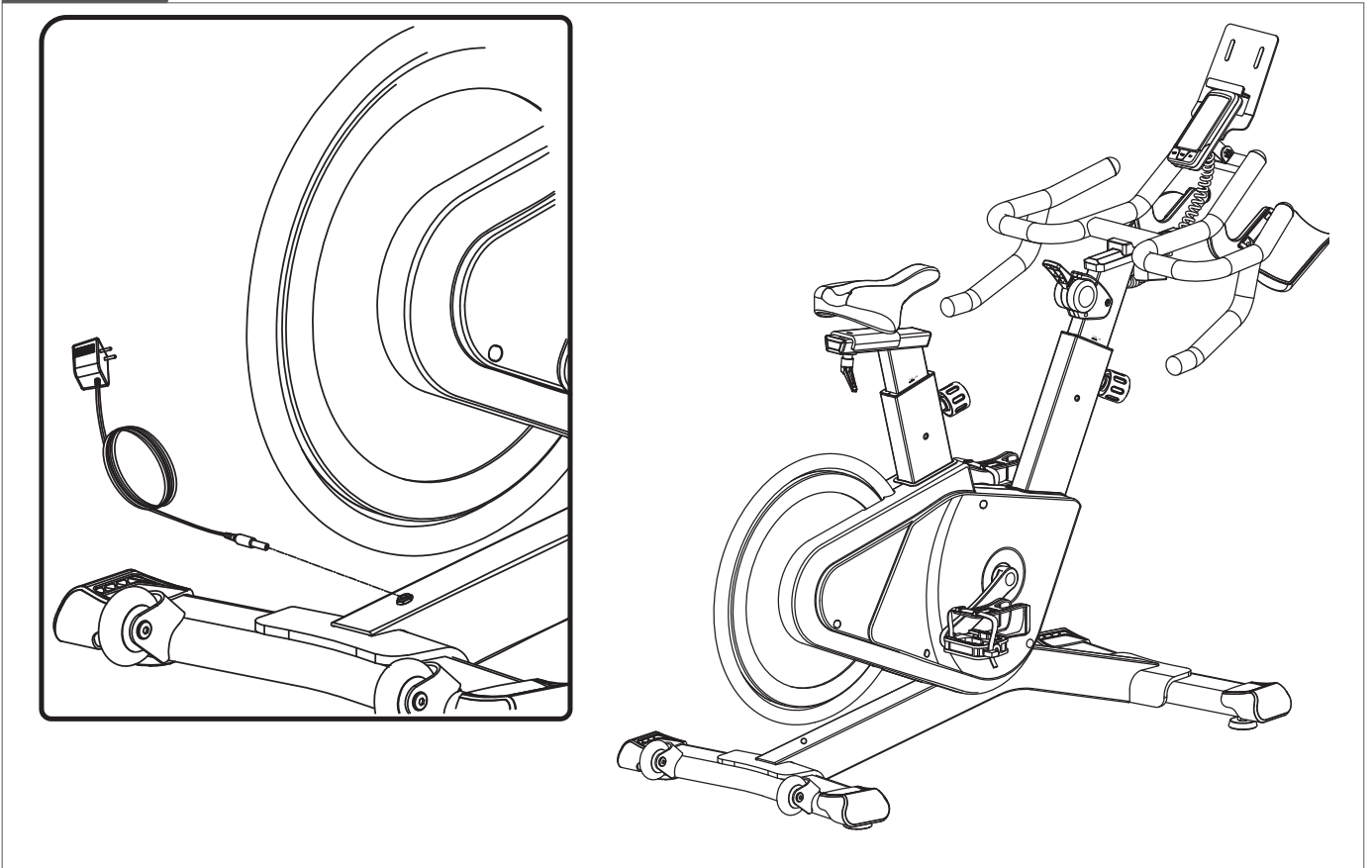
## D-05



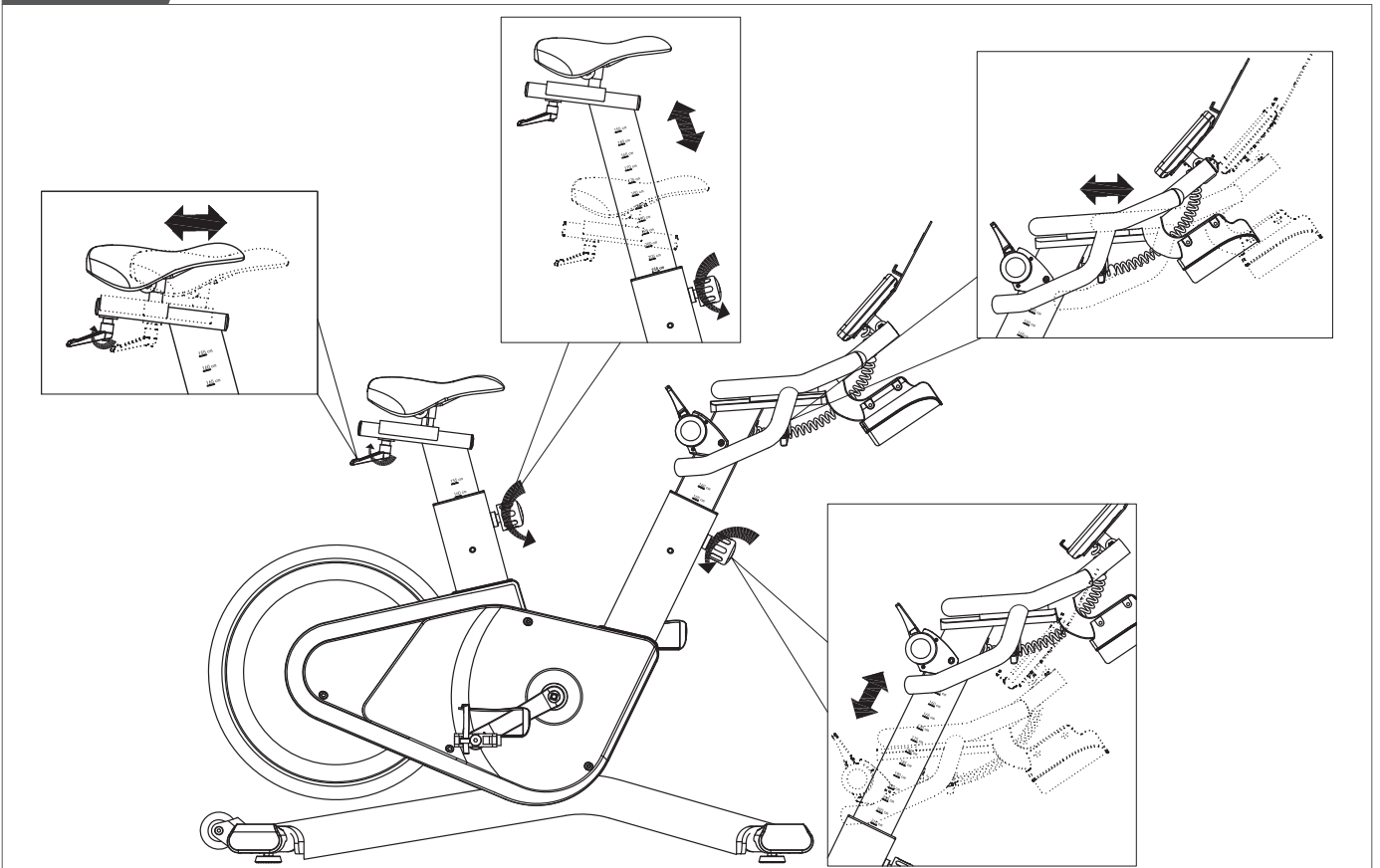
STEP 1	
② M8*1.25*20L 4pcs	③ D30*D8.2*3T 4pcs
④ D15.4*D8.2*2T 4pcs	
STEP 2	
⑦ M10*1.5*35L 1pc	⑧ M5*0.8*15 L 4pcs
	⑨ M5*0.8*30L 2pcs
	⑩ D15*D5.2*3T 2pcs
	⑪ D4*D12*13 1pc
STEP 3	
STEP 4	



E-1



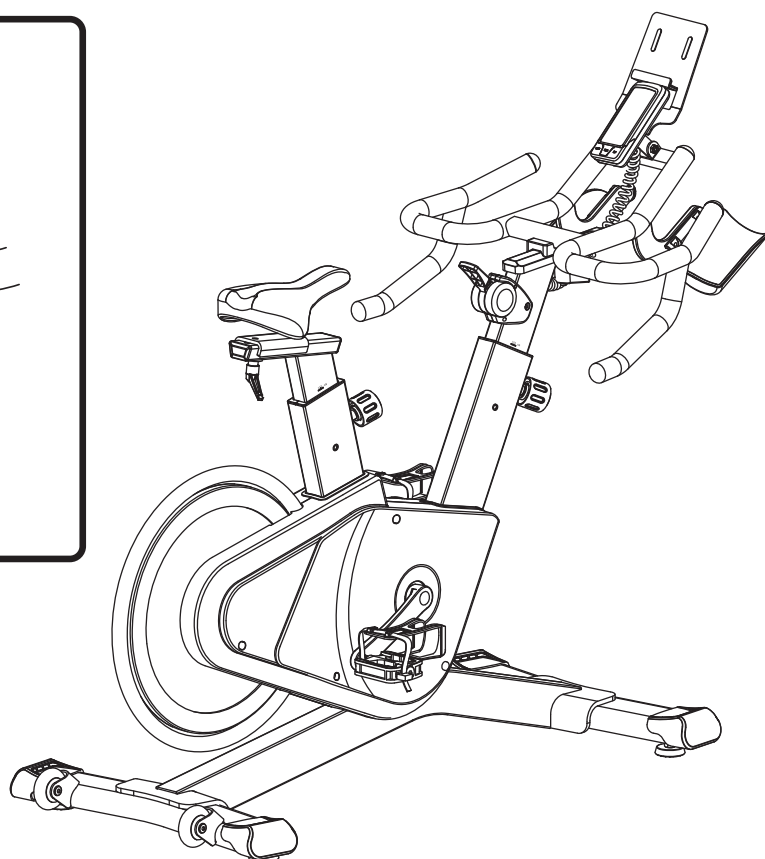
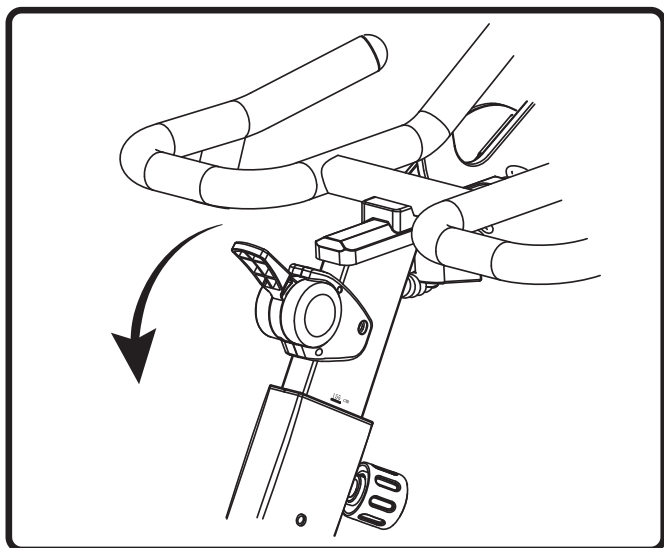
E-2





# Platinum SB20 Sprinter Bike

## F-1



## F-2





## Index

---

<b>Welcome</b> .....	<b>14</b>
<b>Safety warnings</b> .....	<b>14</b>
Electrical safety .....	15
<b>Assembly instructions</b> .....	<b>15</b>
Description illustration A .....	15
Description illustration B .....	15
Description illustration C .....	15
Description illustration D .....	15
Additional assembly information .....	15
Additional information .....	15
Free training area (Fig. D-0) .....	15
<b>Workouts</b> .....	<b>16</b>
Exercise Instructions .....	16
Heart rate .....	16
<b>Use</b> .....	<b>17</b>
Adjusting the support feet .....	17
Power supply .....	17
Adjusting the horizontal seat position .....	17
Adjusting the vertical seat position .....	17
Adjusting the horizontal handlebar position .....	17
Adjusting the handlebar height .....	17
Emergency break knob (Fig. G) .....	17
Use our dual function pedal .....	17
<b>Console</b> .....	<b>18</b>
Display functions .....	18
Key functions .....	18
Operation .....	19
<b>Programs</b> .....	<b>19</b>
Quick start .....	19
End your workout .....	19
Manual mode .....	19
Beginner mode .....	19
Advance mode .....	19
Sporty mode .....	19
Cardio mode .....	19
Watt Mode .....	20
Recovery .....	20
Bluetooth & APP .....	20
<b>Cleaning and maintenance</b> .....	<b>20</b>
Defects and malfunctions .....	20
<b>Transport and storage</b> .....	<b>21</b>
<b>Warranty</b> .....	<b>21</b>
<b>Technical data</b> .....	<b>21</b>
<b>Declaration of the manufacturer</b> .....	<b>21</b>
<b>Disclaimer</b> .....	<b>22</b>

## Welcome

---

Welcome to the world of Tunturi!

Thank you for purchasing this piece of Tunturi equipment.

Tunturi offers a wide range of home fitness equipment, including crosstrainers, treadmills, exercise bikes, rowers, strength benches and multi stations. The Tunturi equipment is suitable for the entire family, no matter what fitness level. For more information, please visit our website [www.tunturi.com](http://www.tunturi.com)

### Important Safety Instructions

This manual is an essential part of your training equipment please read all instructions in this manual before you start using this equipment. The following precautions must always be followed:

## Safety warnings

---

### ⚠ WARNING

- Read the safety warnings and the instructions. Failure to follow the safety warnings and the instructions can cause personal injury or damage to the equipment. Keep the safety warnings and the instructions for future reference.

### ⚠ WARNING

- Heart rate monitoring systems may be inaccurate.
  - Over exercise may result in serious injury or death. If you feel faint stop exercising immediately.
- The equipment is suitable for domestic and professional use only (e.g. hospitals, fire stations, hotels, schools etc.).
  - This appliance can be used by children aged from 8 years and above and persons with reduced physical, sensory or mental capabilities or lack of experience and knowledge if they have been given supervision or instruction concerning use of the appliance in a safe way and understand the hazards involved.
  - Children should be supervised to ensure that they do not play with the appliance.
  - Before starting your workout, consult a physician to check your health.
  - If you experience nausea, dizziness or other abnormal symptoms, immediately stop your workout and consult a physician.
  - To avoid muscular pain and strain, start each workout by warming up and finish each workout by cooling down. Remember to stretch at the end of the workout.
  - The equipment is suitable for indoor use only. The equipment is not suitable for outdoor use.
  - Only use the equipment in environments with adequate ventilation. Do not use the equipment in draughty environments in order not to catch a cold.
  - Only use the equipment in environments with ambient temperatures between 10 °C and 35 °C. Only store the equipment in environments with ambient temperatures between 5 °C and 45 °C.
  - Do not use or store the equipment in humid surroundings. The air humidity must never be more than 80%.
  - Only use the equipment for its intended purpose. Do not use the equipment for other purposes than described in the manual.
  - Do not use the equipment if any part is damaged or defective. If a part is damaged or defective, contact your dealer.
  - Keep your hands, feet and other body parts away from the moving parts.
  - Keep your hair away from the moving parts.
  - Wear appropriate clothing and shoes.
  - Keep clothing, jewellery and other objects away from the moving parts.

- Make sure that only one person uses the equipment at a time. The equipment must not be used by persons weighing more than 180kg (397 lbs).
- Do not open equipment without consulting your dealer.

### Electrical safety

- Before use, always check that the mains voltage is the same as the voltage on the rating plate of the equipment.
- Do not use an extension cable.
- Keep the mains cable away from heat, oil and sharp edges.
- Do not alter or modify the mains cable or the mains plug.
- Do not use the equipment if the mains cable or the mains plug is damaged or defective. If the mains cable or the mains plug is damaged or defective, contact your dealer.
- Always fully unwind the mains cable.
- Do not run the mains cable underneath the equipment. Do not run the mains cable underneath a carpet. Do not place any objects on the mains cable.
- Make sure that the mains cable does not hang over the edge of a table.
- Make sure that the mains cable cannot be caught accidentally or tripped over.
- Do not leave the equipment unattended when the mains plug is inserted into the wall socket.
- Do not pull the mains cable to remove the mains plug from the wall socket.
- Remove the mains plug from the wall socket when the equipment is not in use, before assembly or disassembly and before cleaning and maintenance.

### WARNING

- Never use water or any other liquid directly on or near the equipment, but only via a damp cloth if moist is required to clean the machine.
- Using liquid directly is harmful for the equipment's components, and may result in an electric shock caused by a short cut circuit. This could result in serious personal injury or even death.
- The appliance is only to be used with the power supply unit provided with the appliance.

## Assembly instructions

### Description illustration A

The illustration shows what the trainer will look like after the assembly is completed.

You can use this as a reference during your assembly, but do follow the assembly steps always in the correct sequence as showed in the illustrations.

### Description illustration B

The illustration shows what components and parts you should find when un-boxing your product.

### NOTE

- Small parts can be hidden/ packed in hollow spaces in the Styrofoam product protection
- If a part is missing, contact your dealer.

### Description illustration C

The illustration shows the hardware kit that comes with your product. The hardware kit contains bolts, washers, screws, nuts etc. and the required tools to properly fit your trainer.

### Description illustration D

The illustrations shows you in the correct following order how to assembly your trainer best.

### WARNING

- Assemble the equipment in the given order.
- Carry and move the equipment with at least two persons.

### CAUTION

- Place the equipment on a firm, level surface.
- Place the equipment on a protective base to prevent damage to the floor surface.
- Refer to the illustrations for the correct assembly of the equipment.

### NOTE

- Save the tools provided with this product, after you completed the product assembly, for future service purposes.

### Additional assembly information

#### **D5 How to fit the pedals correctly.**

### NOTE

- Right and left side are determined from an exercising positions perspective.

#### **Right hand pedal**

Find the "R" or "L" mark on the pedal axle

- Fit the right hand pedal "R" into the right hand crank.
- Firstly turn the pedal axle in clockwise direction by hand.
- Use the wrench to fully tighten the pedal.

#### **Left hand pedal**

- Fit the left hand pedal "L" into the left hand crank.
- Firstly turn the pedal axle in counter-clockwise direction by hand.
- Use the wrench to fully tighten the pedal.



Click to see our supportive YouTube video  
<https://youtu.be/3BiN9mc5Tmw?t=101>

### NOTE

- Save the tools provided with this product, after you completed the product assembly, for future service purposes.

### Additional information

#### **Packaging disposal**

Government guidelines ask that we reduce the amount of waste material disposed of in land fill sites. We therefore ask that you dispose of all packaging waste responsibly at public recycling centres.

#### **End of life disposal**

We at Tunturi hope you enjoy many years of enjoyable use from your fitness trainer. However, a time will come when your fitness trainer will come to the end of its useful life. Under 'European WEEE Legislation you are responsible for the appropriate disposal of your fitness trainer to a recognised public collection facility.

#### **Free training area (Fig. D-0)**

##### **Front of the equipment**

Allow at least 30 cm clearance in front of the equipment.

- The free training area for this section can be shared with other equipment of the same kind when both are facing each other.

### Side of the equipment.

Allow at least 60 cm clearance on each side of the equipment.

- The free training area for this section can be shared with other equipment of the same kind when both are facing each other.

### Rear side of the equipment

Allow at least 200 cm clearance behind the equipment.

- The free training area for this section cannot be shared with other equipment of the same kind, the extra free space required is depending on the orientation of both equipment and should be the sum of both values.

## Workouts

The workout must be suitably light, but of long duration. Aerobic exercise is based on improving the body's maximum oxygen uptake, which in turn improves endurance and fitness. You should perspire, but you should not get out of breath during the workout.

To reach and maintain a basic fitness level, exercise at least three times a week, 30 minutes at a time. Increase the number of exercise sessions to improve your fitness level. It is worthwhile to combine regular exercise with a healthy diet. A person committed to dieting should exercise daily, at first 30 minutes or less at a time, gradually increasing the daily workout time to one hour. Start your workout at low speed and low resistance to prevent the cardiovascular system from being subjected to excessive strain.

As the fitness level improves, speed and resistance can be increased gradually. The efficiency of your exercise can be measured by monitoring your heart rate and your pulse rate.

### Exercise Instructions

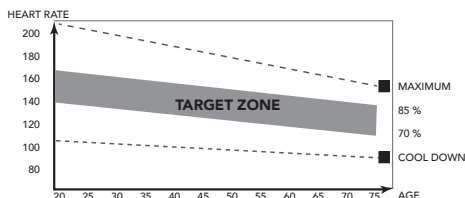
Using your fitness trainer will provide you with several benefits, it will improve your physical fitness, tone muscle and in conjunction with a calorie controlled diet help you lose weight.

#### The warming up phase

This stage helps get the blood flowing around the body and the muscles working properly. It will also reduce the risk of cramp and muscle injury. It is advisable to do a few stretching exercises as shown below. Each stretch should be held for approximately 30 seconds, do not force or jerk your muscles into a stretch - if it hurts, STOP

#### The exercise phase

This is the stage where you put the effort in. After regular use, the muscles in your legs will become more flexible. Work to your but it is very important to maintain a steady tempo throughout. The rate of work should be sufficient to raise your heart beat into the target zone shown on the graph below.



This stage should last for a minimum of 12 minutes though most people start at about 15-20 minutes

#### The cool down phase

This stage is to let your Cardiovascular System and muscles wind down. This is a repeat of the warm up exercise e.g. reduce your tempo, continue for approximately 5 minutes. The stretching exercises should now be repeated, again remembering not to force or jerk your muscles into the stretch.

As you get fitter you may need to train longer and harder. It is advisable to train at least three times a week, and if possible space your workouts evenly throughout the week.

### Muscle toning

To tone muscle while on your fitness trainer you will need to have the resistance set quite high. This will put more strain on our leg muscles and may mean you cannot train for as long as you would like. If you are also trying to improve your fitness you need to alter your training program. You should train as normal during the warm up and cool down phases, but towards the end of the exercise phase you should increase resistance making your legs work harder. You will have to reduce your speed to keep your heart rate in the target zone.

### Weight loss

The important factor here is the amount of effort you put in.

The harder and longer you work the more calories you will burn.

Effectively this is the same as if you were training to improve your fitness, the difference is the goal.

### Heart rate

#### Heart rate measurement (heart rate chest belt)

#### !! NOTE

- A chest strap does not come standard with this trainer. When you like to use a wireless chest strap you need to purchase this as an accessory.

The most accurate heart rate measurement is achieved with a heart rate chest belt. The heart rate is measured by a heart rate receiver in combination with a heart rate transmitter belt. Accurate heart measurement requires that the electrodes on the transmitter belt are slight moist and constantly touching the skin.

If the electrodes are too dry or too moist, the heart rate measurement will become less accurate.

#### ⚠ WARNING

- If you have a pacemaker, consult a physician before using a heart rate chest belt.

#### ⚠ CAUTION

- If there are several heart rate measurement devices next to each other, make sure that the distance between them is at least 1.5 metres.
- If there is only one heart rate receiver and several heart rate transmitters, make sure that only one person with a transmitter is within transmission range.

#### !! NOTE

- Always wear the heart rate chest belt under your clothes directly in contact with your skin. Do not wear the heart rate chest belt above your clothes. If you wear the heart rate chest belt above your clothes, there will be no signal.
- If you set a heart rate limit for your workout, an alarm will sound when it is exceeded.
- The transmitter transmits the heart rate to the console up to a distance of 1 metre. If the electrodes are not moist, the heart rate will not appear on the display.
- Some fibers in clothes (e.g. polyester, poly-amide) create static electricity which can prevent accurate heart rate measurement.
- Mobile phones, televisions and other electrical appliances create an electromagnetic field which can prevent accurate heart rate measurement.

**Maximum heart rate (during training)**

The maximum heart rate is the highest heart rate a person can safely achieve through exercise stress. The following formula is used to calculate the average maximum heart rate:  $220 - \text{AGE}$ . The maximum heart rate varies from person to person.

**⚠ WARNING**

- Make sure that you do not exceed your maximum heart rate during your workout. If you belong to a risk group, consult a physician.

**Beginner****50-60% of maximum heart rate**

Suitable for beginners, weight-watchers, convalescents and persons who have not exercised for a long time. Exercise at least three times a week, 30 minutes at a time.

**Advanced****60-70% of maximum heart rate**

Suitable for persons who want to improve and maintain fitness. Exercise at least three times a week, 30 minutes at a time.

**Expert****70-80% of maximum heart rate**

Suitable for the fittest of persons who are used to long-endurance workouts.

**Use****Adjusting the support feet**

The equipment is equipped with adjustable support feet. If the equipment feels unstable, wobbly, or not levelled well, these support feet can be adjusted to make the required corrections.

- Turn the support feet in/ out as required to put the equipment in a stable and as well possible levelled position.
- Tighten the locknut's\* to lock the support feet.

**!! NOTE**

- The equipment is most stable when it is as low to the floor as possible. Therefore, start to level the equipment by turning all support feet fully in, before turning out the required support feet to stabilize and level the equipment.



Click to see our supportive YouTube video  
<https://youtu.be/3BiN9mc5Tmw?t=535>

**Power supply**

The trainer is powered by an external power supply. Refer to the illustration to locate the trainer power input. (Fig. E-1)

**!! NOTE**

- Connect the power supply with the trainer before connecting it to the wall outlet.
- Always remove power cord when machine is not in use.

**Adjusting the horizontal seat position**

The horizontal seat position can be adjusted by setting the seat to the required position. (Fig. E-2)

- Loosen the seat rail by turning the quick release lever in clock wise direction.
- Move the seat to the required position.
- Tighten the seat rail by turning the quick release lever in clock wise direction.

**!! NOTE**

- The quick release lever is spring loaded. To reset the lever position you can pull the lever down, reposition it, and release it again.

**Adjusting the vertical seat position**

The vertical seat position can be adjusted by setting the seat tube to the required position. (Fig. E-2)

With the leg almost straight, the arch of the foot must touch the pedal at its lowermost point.

- Loosen the seat tube adjustment knob.
- Move the seat tube to the required position.
- Tighten the seat tube adjustment knob.

**Adjusting the horizontal handlebar position**

The horizontal handlebar position can be adjusted by setting the further or closer to the user to set it into the required position. (Fig. E-2)

- Loosen the handlebar fixture frame by turning the quick release lever in clock wise direction.
- Move the handlebar fixture frame to the required position.
- Tighten the handlebar fixture frame by turning the quick release lever in clock wise direction.

**!! NOTE**

- The quick release lever is spring loaded. To reset the lever position you can pull the lever down, reposition it, and release it again.

**Adjusting the handlebar height**

The handlebar height can be adjusted to user height preference to get the best height and the exercise position of the user. (Fig. E-2)

- Support the handlebar before loosen the handlebar adjustment knob, loosen the knob by turning it 2 full rotations counter clockwise, and pull out the spring loaded knob.
- Hold the spring loaded knob pulled out and move the handlebar to the required position.
- When required height is found, release the spring loaded knob, and move the handlebar slightly up/ down to assure the spring loaded knob find the closed fixture position.
- Tighten the handlebar adjustment knob firmly by turning it in clockwise direction.

**Emergency break knob (Fig. G)**

To activate the emergency brake, press down on the brake tension lever fully and with pressure.

**Use our dual function pedal****Attaching Cleats to Your Shoes:**

If you have questions it is recommended that you consult a bicycle dealer for assistance, or refer to your shoe manufacturer's instructions.

When fixing the cleat the lateral center line should be under the center of the ball of the foot. Adjust forward and backward via the slots in the shoe sole. Adjust laterally via play between cleat washer and cleat. Tighten cleats very firmly. Cleat position can be fine-tuned, according to personal preference, after trial use. It may take time to find your optimum cleat set-up.

### Toe Clips:

All standard toe clips can be attached to the pedals. Use fixing hardware and installation instructions supplied with toe clips and ensure the attachment screws are firmly tightened before use.

### To Use Pedals:

Engage cleated shoes in pedals by placing cleat between bindings while pushing down.

Disengage by twisting heel outwards away from exercise bike. Binding tension is adjustable and should be set so that cleat and shoe do not disengage when pedaling. Use an Allen key to turn tension adjusting screws, clockwise to increase binding tension, counterclockwise to decrease binding tension.

## Console



1. Display
2. Tablet/ book support
3. Buttons

### ⚠ CAUTION

- Keep the console away from direct sunlight.
- Dry the surface of the console when it is covered with drops of sweat.
- Do not lean on the console.
- Only touch the display with the tip of your finger. Make sure that your nails or sharp objects do not touch the display.

### !! NOTE

- The console switches to standby mode when the equipment is not used for 4 minutes. If the console is in standby mode.

### Display functions

#### Time window :

- Without setting the target value, time will count up.
- When setting the target value, time will count down from your target time to 0 and alarm will sound or flash.  
Time will continue counting up if training is not stopped after goal is reached.
- Range: 0:00 ~ 99:59

#### Speed window :

- Shows actual speed during exercise
- Range: 0.0 ~ 99.9

#### RPM window :

- Shows revolutions per minute during exercise
- Range: 0 ~ 999

### Pulse

- Current pulse will display after 6 seconds when detected by the console.
- Without any pulse signal for 6 seconds, console will display "P".
- Pulse alarm will sound when current pulse is over the target pulse.
- Range: 0-30 ~ 230 BPM.

### Watt

- Display current workout watts.
- Range: 0 ~ 999

### Distance

- Without setting the target value, distance will count up.
- When setting the target value, distance will count down from your target distance to 0 with an alarm sound or flash.  
Distance will continue counting up if training is not stopped after goal is reached.
- Range: 0.00 ~ 99.99 KM.

### Load

- Shows tension level setting, when adjusting resistance, for 3 seconds.
- Range: 1 ~ 32

### Calories

- Without setting the target value, calorie will count up.
- When setting the target value, calories will count down from your target calorie to 0 with an alarm sound or flash.  
Calories will continue counting up if training is not stopped after goal is reached.
- Range: 0 ~ 9999 K.Calories.

### !! NOTE

- This data is a rough guide for comparison of different exercise sessions which cannot be used in medical treatment.

### Key functions

#### Recovery

- Test heart rate recovery status.

#### Down

- Decrease resistance level during workout.
- In setting selection lower value.

#### Mode

- Confirm setting or selection

#### Up

- Increase resistance level during workout.
- In setting selection upper value.

#### Reset

- When press and hold for 2 seconds, display will reboot and start from main menu. (all shown data will be lost)
- Reverse to main menu during presetting workout value or stop mode

#### Start/ Stop

- Start workout when in idle mode.
- Stop/ pause workout when in active mode.

## Operation

### **Power on**

- Plug in power supply to power on computer.
- Press any key to power on the console when being in sleep mode..
- Start pedalling to power on the console when being in sleep mode.

### **Power off**

- Without any signal being transmitted into the monitor for 4 minutes the monitor will enter SLEEP mode automatically.
- Unplug power supply to power off computer directly.

## Programs

### Quick start

- Press Start/ Stop key to start your workout without any pre-set setting.
- Use Dial Up/ Down to adjust resistant level during workout.

### End your workout

- Press Start/ Stop in workout mode to stop/ pause your workout. To resume your workout press Start/ Stop button in pause mode.
- Press Reset key ( in Pause mode ) to reset all workout data.
- Press and hold Reset key for over 2 seconds to reset console. ( Active training data will be lost )

### Manual mode

- Press Up/ Down key to select workout program, choose Manual mode and press mode key to enter next setting entry for manual mode program.
- Press Up/ Down key to pre-set training time, and press Mode key to confirm the setting.

### **!! NOTE**

- After confirm you can set also: Distance, Calories, & Pulse.
  - When setting more than one goal, the training will end at first achieved goal.
  - Leave a goal blank and it will not be seen as a pre-set limit.
- Press Start/ Stop key to start workout
  - Press Up/ Down key to adjust resistance level.
  - Press Start/ Stop key to pause workout.
  - Press Reset key to return to main menu. (active training data will be lost)

### Beginner mode

- Press Up/ Down key to select workout program, choose beginner mode and press Mode key to enter next setting menu for beginner mode.
  - There can be 4 beginner modes selected: Beginner 1 ~ 4, select one by using the Up/ Down key and confirm selected by pressing Mode key.
  - Press Up/ Down key to present training time.
- Press Start/ Stop key to start workout
  - Press Up/ Down key to adjust resistance level.
  - Press Start/ Stop key to pause workout.
  - Press Reset key to return to main menu. (active training data will be lost)

## Advance mode

- Press Up/ Down key to select workout program, choose beginner mode and press Mode key to enter next setting menu for beginner mode.
  - There can be 4 beginner modes selected: Advance 1 ~ 4., select one by using the Up/ Down key and confirm selected by pressing Mode key.
  - Press Up/ Down key to present training time.
- Press Start/ Stop key to start workout
  - Press Up/ Down key to adjust resistance level.
  - Press Start/ Stop key to pause workout.
  - Press Reset key to return to main menu. (active training data will be lost)

## Sporty mode

- Press Up/ Down key to select workout program, choose beginner mode and press Mode key to enter next setting menu for beginner mode.
  - There can be 4 beginner modes selected: Sporty 1 ~ 4, select one by using the Up/ Down key and confirm selected by pressing Mode key.
  - Press Up/ Down key to present training time.
- Press Start/ Stop key to start workout
  - Press Up/ Down key to adjust resistance level.
  - Press Start/ Stop key to pause workout.
  - Press Reset key to return to main menu. (active training data will be lost)

## Cardio mode

- Press Up/ Down key to select workout program, choose Cardio mode and press Mode key to enter next setting menu for advance mode.
- Press Up/ Down key to set your age and confirm by pressing mode key.
- There can be 4 Cardio modes selected: 55% (of maximum HR = 220 - age x 55%) 75% (of maximum HR = 220 - age x 75%) 90% (of maximum HR = 220 - age x 90%) TAG (Target Heart Rate, default set on 100 Use Up/ Down key to change, and confirm by pressing mode key). Select one by using the Up/ Down key and confirm selected by pressing Mode key.
- Press Up/ Down key to pre-set training time, and press Mode key to confirm the setting.
- Press Start/ Stop key to start workout
- Press Start/ Stop key to pause workout.
- Press Reset key to return to main menu. (active training data will be lost)

### **!! NOTE**

- In Cardio mode, the tension will be adjusted automatically to an insensitivity in where your hart rate reaches the Pre set HRC target.
- After 6 seconds without pulse input, LCD will show "Pulse Input" to notify the user.

### Watt Mode

- Press Up/ Down key to select workout program, choose Watt mode and press Mode key to enter next setting menu for advance mode.
- Use Up/ Down to set Watt target.  
120 is pre-set default  
Range: 10~350  
confirm by pressing mode key.
- Use Up/ Down key to set Time.  
Confirm by pressing mode key.
- Press Start/ Stop key to start workout
- Press Up/ Down key to adjust resistance level (Watt).
- Press Start/ Stop key to pause workout.
- Press Reset key to return to main menu. (active training data will be lost)

In Watt mode, the tension will be adjusted automatically to an insensitivity in where the Watt reaches the Pre set Watt target.

#### **!! NOTE**

- The Watt parameter is a calculation of RPM and Tension level.  
When RPM is higher, the tension will be lower.  
When RPM is lower, the tension will be higher.

### Recovery

- The Recovery key will only be valid if pulse is detected.
- Time will show „0:60“ (seconds) and counts down to 0.
- Computer will show F1 to F6 after the countdown to test heart rate recovery status. User can find the heart rate recovery level based on the chart below.
- Press Recovery key again to return to the beginning.

#### **How to read the test result.**

The result is based on your cardiac heart rate condition. When being active your heart rate increases in Beats Per Minute (BPM).

When you end your workout, your heart rate will stabilize to normal.

The faster your heart-rate stabilizes the better your cardiac condition.

When your heart rate drops with at least 50 BPM in the test minute, your result will read F1.

When your heart rate drops in between 41~50 bpm in the test minute, your result will read F2.

And so on.

F1	Outstanding	50+ BPM
F2	Excellent	41 ~ 50 BPM
F3	Good	31~ 40 BPM
F4	Fair	21 ~ 30 BPM
F5	Below average	11 ~ 20 BPM
F6	Poor	0 ~ 10 BPM

#### **!! NOTE**

- When your heart rate increased in the test minute, it will read F6 too.
- When entering Recovery mode, the workout will be paused.
- Press Start/ Stop to resume training when exit Recovery mode, or press Reset to go back to start menu.

### Bluetooth & APP

- This console can connect with an APP on a smart device by Bluetooth (iOS & Android).
- Establish the Bluetooth connection only via the connection mode on the installed APP on your smart device.
- When the bluetooth connection between APP and console is established the console display will be dimmed.

#### **!! NOTE**

- Tunturi only provides the option to connect your fitness console throughout a bluetooth connection. Therefore Tunturi cannot be held responsible for damage, or malfunctioning of products other than Tunturi products.
- Check the website for extra information.

This console can receive a Bluetooth heart-rate transmitter. There is no need to pair the device, as the console will auto detect the heart-rate transmitter when it is in range.

### Cleaning and maintenance

The equipment does not require special maintenance. The equipment does not require recalibration when it is assembled, used and serviced according to the instructions.

#### **⚠ WARNING**

- Before cleaning and maintenance, remove the adapter.
  - Do not use solvents to clean the equipment.
  - Cleaning and user maintenance shall not be made by children without supervision.
- Clean the equipment with a soft, absorbent cloth after each use.
  - Regularly check that all screws and nuts are tight.
  - If necessary, lubricate the joints.

### Defects and malfunctions

Despite continuous quality control, defects and malfunctions caused by individual parts can occur in the equipment. In most cases, it will be sufficient to replace the defective part.

- If the equipment does not function properly, immediately contact the dealer.
- Provide the model number and the serial number of the equipment to the dealer. State the nature of the problem, conditions of use and purchase date.

#### **Trouble shooting:**

- When the display of LCD is dim, it means the batteries need to be changed.
- If there is no signal when you pedal, please check if the cable is well connected.

#### **!! NOTE**

- When stop training for 4 minutes, the main screen will be off.
- If the computer displays abnormally, please re-install the batteries and try again.

#### **Shaky or unstable feeling during use**

If the machine feels unstable or unstable during operation, it is advisable to adjust the support feet to bring the frame to the correct height. Read the instructions in this manual in section: "Use"

## Transport and storage

### WARNING

- Carry and move the equipment with at least two persons.
- Remain standing in front of the equipment on each side and take a sturdy grip at the handlebars. Tilt the front of the equipment so as to lift the rear of the equipment on the wheels. Move the equipment and carefully put the equipment down. Place the equipment on a protective base to prevent damage to the floor surface.
- Move the equipment carefully over uneven surfaces. Do not move the equipment upstairs using the wheels, but carry the equipment by the handlebars.
- Store the equipment in a dry place with as little temperature variation as possible.

## Warranty

### Tunturi purchaser's warranty

#### Warranty terms

The consumer is entitled to the applicable legal rights stated in the national legislation concerning the commerce of consumer goods. This warranty does not restrict these rights. The Purchaser's Warranty is only valid if the item is used in an environment approved by Tunturi New Fitness BV, and is maintained as instructed for that particular equipment. The product-specific approved environment and maintenance instructions are stated in the "user manual" of the product. The "user manual" can be downloaded from our website. <http://manuals.tunturi.com>

#### Warranty conditions

The warranty conditions commence from the date of purchase. Warranty conditions may vary per Distancery, so please consult your local dealer for the warranty conditions.

#### Warranty coverage

Under no circumstances shall Tunturi New Fitness BV or the Tunturi Distributor be liable by virtue of this warranty or otherwise for any special, indirect, secondary or consequential damages of any nature arising out of any use or inability to use this equipment.

#### Warranty limitations

This warranty covers manufacturing defects in the fitness equipment as originally packed by Tunturi New Fitness BV. The warranty shall apply only under conditions of normal, recommended use of the product as described in the Owner's Manual and providing that Tunturi New Fitness BV's instructions for installation, maintenance and use have been complied with. Neither Tunturi New Fitness BV's nor the Tunturi Distributors' obligations apply to defects due to reasons beyond their control. The warranty applies only to the original purchaser and is valid only in Distanceries where Tunturi New Fitness BV has an authorised importer. The warranty does not extend to fitness equipment or components that have been modified without the consent of Tunturi New Fitness BV. Defects resulting from normal wear, misuse, abuse, corrosion, or damage incurred during loading or transportation are not covered.

The warranty does not cover sounds or noises emitted during use where these do not substantially impede the use of the equipment and where they are not caused by a fault in the equipment. The warranty does not cover defects arising from the failure to carry periodic maintenance as outlined within the Owner's Manual for

the product. Furthermore, the warranty does not cover defects arising from usage and storage within an unsuitable environment as described within the Owner's Manual which should be indoors, dry, dust and grit free and within a temperature range of +15°C to +35°C. The warranty does not cover maintenance activities, such as cleaning, lubricating, and normal part adjustments, nor installation

procedures that customers can accomplish themselves, such as changing uncomplicated meters, pedals and other similar parts not requiring any dismantling/reassembling of the fitness equipment. Warranty repairs carried out by other than authorised Tunturi representatives are not covered. Failure to follow the instructions given in the Owner's Manual will invalidate the product's warranty.

## Technical data

Parameter	Unit of measurement	Value
Length	cm	156.0
	inch	61.4
Width	cm	59.0
	inch	23.2
Height	cm	142.0
	inch	55.9
Weight	kg	53.2
	lbs	117.3
Max. user weight	kg	180
	lbs	397
Transformer output specifications	Voltage	9V-DC
	Ampere	2.0 A
Heart rate measurement available via:	Hand-grip contact	Yes
	5.0 Khz	No
	5.3 Khz.	No
	Bluetooth (BLE)	Yes
	ANT+	No

### **!!** NOTE

- To learn the product dimensions and functional dimensions please review illustration H

## Declaration of the manufacturer

Tunturi New Fitness BV declares that the Platinum S20 Racing bike is in conformity with the following standards and directives:

- RoHS Directive (2011/65/EU)
- General Product Safety Regulation (GPSR) – (EU) 2023/988

Hereby, Tunturi New Fitness BV declares that the radio equipment type Platinum S20 Racing bike is in compliance with Directive 2014/53/EU.

The full text of the EU declaration of conformity is available at the following internet address: <https://doc.tunturi.com>

Tunturi New Fitness BV

Purmerweg 1  
1311 XE Almere  
The Netherlands

## **Disclaimer**

---

© 2025 Tunturi New Fitness BV  
All rights reserved.

- The product and the manual are subject to change.
- Specifications can be changed without further notice.
- Check our website for the latest user manual version.

**Deutsch**

Diese deutsche Bedienungsanleitung ist eine Übersetzung des englischen Textes. Es können keine Rechte auf diese Übersetzung abgeleitet werden.

**Index**

**Willkommen.....23**

**Warnhinweise zur Sicherheit .....23**  
Elektrische Sicherheit .....24

**Montageanleitungen .....24**  
Beschreibung Abbildung A.....24  
Beschreibung Abbildung B .....24  
Beschreibung Abbildung C.....24  
Beschreibung Abbildung D.....24  
Zusätzliche Montagehinweise .....24  
Zusätzliche Informationen .....24  
Freier Trainingsbereich (Abb. D-0) .....25

**Trainings .....25**  
Trainingsanleitung .....25  
Herzfrequenz .....25

**Gebrauch .....26**  
Einstellen des Stützfußes .....26  
Stromzufuhr .....26  
Einstellen der horizontalen Sitzposition .....26  
Einstellen der vertikalen Sitzposition .....26  
Einstellen der horizontalen Lenkerposition .....26  
Einstellen der Lenkerhöhe.....27  
Notbremsenknopf (Abb. G).....27  
doppelfunktionspedals.....27

**Konsole.....27**  
Display Funktionen.....27  
Taste Funktionen .....28  
Bedienung.....28

**Programme .....28**  
Schnellstart.....28  
Beenden Sie Ihr Training .....28  
Manueller modus .....28  
Beginner Modus.....28  
Advance Modus .....29  
Sporty Modus.....29  
Cardio Modus.....29  
Watt-Modus.....29  
Recovery.....29  
Bluetooth & APP .....30

**Reinigung und Wartung.....30**  
Störungen und Fehlfunktionen.....30

**Transport und Lagerung .....30**

**Technische Daten .....31**

**Herstellereklärung .....31**

**Haftungsausschluss.....31**

**Willkommen**

Willkommen in der Welt von Tunturi!

Danke, dass Sie dieses Gerät von Tunturi erworben haben. Tunturi bietet eine breite Palette an Heim-Fitnessgeräten wie beispielsweise Crosstrainer, Laufbänder, Trainingsfahrräder, Rudergeräte, Kraftbänke und Multi-Stationen an. Die Tunturi Geräte sind für die ganze Familie geeignet - ganz egal, wie fit man ist. Weitere Informationen finden Sie auf unserer Website unter [www.tunturi.com](http://www.tunturi.com)

**Wichtige sicherheitshinweise**

Dieses Handbuch ist ein wesentlicher Bestandteil Ihres Trainingsgerätes. Lesen Sie es bitte sorgfältig durch, bevor Sie Ihr Trainingsgerät montieren, mit ihm trainieren oder es warten. Bitte bewahren Sie dieses Handbuch auf; es wird Sie jetzt und zukünftig darüber informieren, wie Sie Ihr Gerät benutzen und warten. Befolgen Sie diese Anweisungen immer sorgfältig.

**Warnhinweise zur Sicherheit**

**⚠️ WARNUNG**

- Lesen Sie die Warnhinweise zur Sicherheit und die Anweisungen. Werden die Warnhinweise zur Sicherheit und die Anweisungen nicht befolgt, kann dies zu Personenverletzungen und Schäden am Gerät führen. Bewahren Sie die Warnhinweise zur Sicherheit und die Anweisungen zur künftigen Bezugnahme auf.

**⚠️ WARNUNG**

- Herzfrequenz-Überwachungssysteme können ungenau sein.
- Eine Überanstrengung kann zu schweren Schädigungen oder zum Tod führen. Wenn Sie sich schwach oder ohnmächtig fühlen, stellen Sie die Übungen unverzüglich ein.

- Das Gerät ist nur für den Heim- und gewerblichen Gebrauch (z.B. Krankenhäuser, Feuerwachen, Hotels, Schulen, usw.) geeignet.
- Dieses Gerät kann von Kindern ab 8 Jahren und von Personen mit eingeschränkten physischen, sensorischen oder geistigen Fähigkeiten oder Mangel an Erfahrung und Wissen verwendet werden, wenn sie beaufsichtigt werden oder Anweisungen zur sicheren Verwendung des Geräts erhalten haben und die damit verbundenen Gefahren verstehen.
- Kinder sollten beaufsichtigt werden, um sicherzustellen, dass sie nicht mit dem Gerät spielen.
- Bevor Sie Ihr Training starten, nehmen Sie Kontakt mit einem Arzt auf, um Ihre Gesundheit kontrollieren zu lassen.
- Falls Sie Übelkeit, ein Schwindelgefühl oder andere anormale Symptome verspüren, hören Sie unverzüglich mit Ihrem Training auf und wenden Sie sich an einen Arzt.
- Um einen Muskelkater zu vermeiden, starten Sie jedes Training mit Aufwärmen und beenden Sie es mit Abkühlen. Denken Sie daran, sich am Ende des Trainings zu dehnen.
- Das Gerät ist nur für den Gebrauch in geschlossenen Räumen geeignet. Das Gerät ist nicht für den Gebrauch im Freien geeignet.
- Verwenden Sie das Gerät nur in Umgebungen mit ausreichender Belüftung. Verwenden Sie das Gerät nicht in zugiger Umgebung, damit Sie sich nicht erkälten.
- Verwenden Sie das Gerät nur in Umgebungen mit Umgebungstemperaturen zwischen 10 °C und 35 °C. Lagern Sie das Gerät nur in Umgebungen mit einer Umgebungstemperatur zwischen 5 °C und 45 °C.
- Verwenden und lagern Sie das Gerät nicht in feuchten Umgebungen. Die Luftfeuchtigkeit darf niemals 80% überschreiten.
- Verwenden Sie das Gerät nur bestimmungsgemäß. Verwenden Sie das Gerät nicht für einen anderen als für den in diesem Handbuch beschriebenen Zweck.

- Verwenden Sie das Gerät nicht, falls Teile beschädigt oder defekt sind. Ist ein Teil beschädigt oder defekt, wenden Sie sich an Ihren Händler.
- Halten Sie Ihre Hände, Füße und andere Körperteile von den beweglichen Teilen fern.
- Halten Sie Ihr Haar von den beweglichen Teilen fern.
- Tragen Sie entsprechende Kleidung und Schuhe.
- Halten Sie Kleidung, Schmuck und andere Gegenstände von den beweglichen Teilen fern.
- Vergewissern Sie sich, dass das Gerät nur von einer Person auf einmal verwendet wird. Das Gerät darf nicht von Personen verwendet werden, deren Gewicht 180kg (397 lbs) überschreitet.
- Öffnen Sie das Gerät nicht, ohne vorher mit Ihrem Händler zu sprechen.

### Elektrische Sicherheit

- Vergewissern Sie sich vor der Verwendung stets, dass die Netzspannung mit der Spannung auf dem Typenschild des Geräts übereinstimmt.
- Verwenden Sie kein Verlängerungskabel.
- Halten Sie das Netzkabel von Hitze, Öl und scharfen Kanten fern.
- Verändern Sie nichts am Netzkabel oder am Netzstecker.
- Verwenden Sie das Gerät nicht, falls das Netzkabel oder der Netzstecker beschädigt oder defekt ist. Ist das Netzkabel oder der Netzstecker beschädigt oder defekt, wenden Sie sich an Ihren Händler.
- Wickeln Sie das Netzkabel immer vollständig ab.
- Lassen Sie das Netzkabel nicht unter dem Gerät entlanglaufen. Lassen Sie das Netzkabel nicht unter einem Teppich entlanglaufen. Stellen Sie keine Gegenstände auf das Netzkabel.
- Vergewissern Sie sich, dass das Netzkabel nicht über der Kante eines Tisches hängt. Vergewissern Sie sich, dass niemand versehentlich über das Netzkabel stolpert.
- Lassen Sie das Gerät nicht unbeaufsichtigt, wenn der Netzstecker in die Wandsteckdose eingesteckt ist.
- Ziehen Sie nicht am Netzkabel, um den Netzstecker aus der Wandsteckdose zu ziehen.
- Ziehen Sie den Netzstecker aus der Wandsteckdose, wenn das Gerät nicht verwendet wird, bevor es zusammengebaut oder zerlegt wird sowie vor der Reinigung und Wartung.

### **⚠** WARNUNG

- Verwenden Sie niemals Wasser oder eine andere Flüssigkeit direkt auf oder in der Nähe des Geräts, sondern nur ein feuchtes Tuch, wenn das Gerät feucht gereinigt werden muss.
- Die direkte Verwendung von Flüssigkeit ist schädlich für die Komponenten des Geräts und kann zu einem elektrischen Schlag durch einen Kurzschluss führen.  
Dies kann zu schweren Verletzungen oder sogar zum Tod führen.
- Das Gerät darf nur mit dem mitgelieferten Netzteil verwendet werden.

## Montageanleitungen

### Beschreibung Abbildung A

Die Abbildung zeigt, wie das Gerät nach der Montage aussehen wird. Sie können diese bei der Montage als Referenz verwenden, befolgen Sie die Montageschritte aber immer in der richtigen Reihenfolge, wie in den Abbildungen gezeigt.

### Beschreibung Abbildung B

Die Abbildung zeigt, welche Komponenten und Teile in der Lieferung enthalten sein sollen.

### **!!** HINWEIS

- Kleinteile können in Hohlräumen im Styropor-Produktschutz versteckt/verpackt werden
- Fehlt ein Teil, wenden Sie sich an Ihren Händler.

### Beschreibung Abbildung C

Die Abbildung zeigt den Zubehörsatz, der mit Ihrem Produkt geliefert wird.

Er enthält Schrauben, Unterlegscheiben, Muttern usw. sowie die erforderlichen Werkzeuge zur ordnungsgemäßen Montage Ihres Trainers.

### Beschreibung Abbildung D

Die Abbildungen zeigen Ihnen in der richtigen Reihenfolge, wie Sie Ihren Trainer am besten montieren.

### **⚠** WARNUNG

- Bauen Sie das Gerät in der angegebenen Reihenfolge zusammen.
- Tragen und bewegen Sie das Gerät mit mindestens zwei Personen.

### **⚠** VORSICHT

- Stellen Sie das Gerät auf festen, ebenen Boden.
- Stellen Sie das Gerät auf eine schützende Unterlage, um Schäden am Bodenbelag zu vermeiden.
- Der richtige Zusammenbau des Geräts geht aus den Abbildungen hervor.

### Zusätzliche Montagehinweise

#### **D5 Pedale korrekt einsetzen**

### **!!** HINWEIS

- Rechte und linke Seite werden aus der Perspektive der Übungspositionen definiert.

#### **Rechtes Handpedal**

Suchen Sie die Markierung "R" oder "L" auf der Pedalachse

- Stecken Sie das rechte Handpedal "R" in die rechte Handkurbel.
- Drehen Sie zunächst die Pedalachse von Hand im Uhrzeigersinn.
- Verwenden Sie den Schraubenschlüssel, um das Pedal vollständig festzuziehen.

#### **Linkes Handpedal**

- Stecken Sie das linke Pedal "L" in die linke Handkurbel.
- Drehen Sie zunächst die Pedalachse von Hand gegen den Uhrzeigersinn.
- Verwenden Sie den Schraubenschlüssel, um das Pedal vollständig festzuziehen.



Klicken Sie hier, um unser unterstützendes YouTube-Video zu sehen. <https://youtu.be/3BiN9mc5Tmw?t=101>

### **!!** HINWEIS

- Heben Sie die Werkzeuge für künftige Zwecke auf, die zu diesem Produkt geliefert wurden, wenn Sie die Montage beendet haben.

### Zusätzliche Informationen

#### **Verpackungsentsorgung**

Staatliche Vorschriften sagen, dass wir die in Deponien entsorgen Abfallmengen verringern sollen. Daher bitten wir Sie, den gesamten Verpackungsabfall an öffentlichen Recyclingstellen abzugeben

## Entsorgung am ende der Lebensdauer

Wir bei Tunturi hoffen, dass Sie Ihren Fitnesstrainer viele Jahre mit Freude nutzen werden. Jedoch wird irgendwann die Zeit kommen, wenn die Ende der Nutzungsdauer des Fitnesstrainers erreicht ist. Gemäß den europäischen WEEE-Gesetzen sind Sie für eine geeignete Entsorgung des Fitnesstrainers bei einer anerkannten öffentlichen Entsorgungsstelle verantwortlich.

## Freier Trainingsbereich (Abb. D-0)

### Vorderseite des Geräts

Lassen Sie vor dem Gerät einen Abstand von mindestens 30 cm.

- Die freie Trainingsfläche für diesen Bereich kann mit anderen Geräten der gleichen Art geteilt werden, wenn sie einander gegenüberstehen.

### Seite des Geräts

Lassen Sie auf jeder Seite des Geräts mindestens 60 cm Platz.

- Dieser freie Bereich kann mit anderen Geräten der gleichen Art geteilt werden, wenn sie einander gegenüberstehen.

### Rückseite des Geräts

Lassen Sie hinter dem Gerät mindestens 200 cm Platz.

- Die freie Trainingsfläche für diesen Bereich kann nicht mit anderen Geräten der gleichen Art geteilt werden, der zusätzlich benötigte Freiraum hängt von der Ausrichtung der beiden Geräte ab und sollte die Summe beider Werte sein.

## Trainings

Das Training muss leicht und geeignet, aber von langer Dauer sein. Aerobic-Übungen basieren auf der Verbesserung der maximalen Sauerstoffaufnahme des Körpers, was wiederum die Ausdauer und Fitness verbessert. Sie sollten während des Trainings zwar ins Schwitzen, aber nicht außer Atem kommen.

Um eine Basisfitness zu erreichen und zu halten, üben Sie mindestens drei mal pro Woche 30 Minuten lang an einem Stück. Erhöhen Sie die Anzahl der Übungssitzungen, um Ihre Fitness zu verbessern. Es lohnt sich, die regelmäßigen Übungen mit einer gesunden Diät zu kombinieren. Personen, die Diät machen, sollten täglich zuerst 30 Minuten oder weniger an einem Stück üben und die tägliche Trainingszeit allmählich auf eine Stunde verlängern. Beginnen Sie Ihr Training mit niedriger Geschwindigkeit und geringem Widerstand, um zu vermeiden, dass das Herzkreislaufsystem einer übermäßigen Belastung ausgesetzt wird. Mit sich verbessernder Fitness können Geschwindigkeit und Widerstand allmählich erhöht werden. Die Wirksamkeit Ihrer Übungen kann durch Überwachung der Herzfrequenz und Ihrer Pulsfrequenz gemessen werden.

## Trainingsanleitung

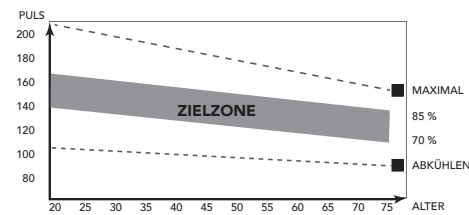
Die Verwendung des Fitnesstrainers wird Ihnen viele Vorteile bieten: Er verbessert Ihre körperliche Fitness, formt die Muskeln und hilft Ihnen, in Verbindung mit einer kalorienreduzierten Diät, Gewicht zu verlieren.

### Die Aufwärm-Phase

Der Blutkreislauf wird angeregt und die Muskelfunktionen werden unterstützt. Außerdem wird das Risiko von Krämpfen und Muskelverletzungen gesenkt. Sie sollten, wie unten angezeigt, einige Dehnungsübungen machen. Sie sollten weder die Dehnungsbewegung erzwingen noch die Muskeln dabei ruckweise bewegen - wenn Sie Schmerzen haben, sollten Sie AUFHÖREN.

## Die Trainings-Phase

In dieser Phase strengen Sie sich an. Nach regelmäßiger Verwendung werden die Muskeln in Ihren Beinen beweglicher. In dieser Phase ist es sehr wichtig, immer ein gleichmäßiges Tempo beizubehalten. Die Anstrengung sollte ausreichen, um Ihren Herzschlag bis in die Zielzone zu erhöhen, die im folgenden Diagramm dargestellt ist.



Diese Phase sollte mindestens 12 Minuten dauern; die meisten Menschen beginnen mit ca. 15 bis 20 Minuten.

## Die Abkühlungs-Phase

Sie dient der Entspannung Ihres Herz-Kreislaufsystems und Ihrer Muskeln. Dabei werden die Aufwärmübungen wiederholt, reduzieren Sie zum Beispiel Ihr Tempo und machen Sie ca. 5 Minuten weiter. Jetzt sollten die Dehnübungen wiederholt werden. Denken Sie wiederum daran, weder die Dehnungsbewegung zu erzwingen noch die Muskeln dabei ruckweise zu bewegen. Wenn Sie fitter werden, kann es sein, dass Sie länger und härter trainieren müssen. Sie sollten mindestens drei Mal die Woche trainieren und, falls möglich, Ihre Trainingseinheiten gleichmäßig über die Woche verteilen.

## Muskelformung

Um Ihre Muskeln beim Training auf dem Fitnesstrainer zu formen, müssen Sie den Widerstand ziemlich hoch einstellen. Dadurch werden die Beinmuskeln mehr angestrengt und Sie können möglicherweise nicht so lange trainieren, wie Sie möchten. Wenn Sie außerdem Ihre Fitness verbessern möchten, müssen Sie Ihr Trainingsprogramm ändern. Sie sollten in den Aufwärm- und Abkühlphasen normal trainieren, jedoch gegen Ende der Trainingsphase den Widerstand erhöhen, damit Ihre Beine härter arbeiten müssen. Sie müssen die Geschwindigkeit verringern, damit Ihre Herzfrequenz in der Zielzone bleibt.

## Gewichtsabnahme

Der wichtige Faktor ist, wie sehr Sie sich anstrengen. Je härter und je länger Sie trainieren, desto mehr Kalorien verbrennen Sie. Dies ist im Grunde dasselbe, wie wenn zur Verbesserung Ihrer Fitness trainieren, nur das Ziel ist ein anderes.

## Herzfrequenz

### Herzfrequenzmessung (Herzfrequenz-Brustgürtel)

#### !! HINWEIS

- Ein Herzfrequenz-Brustgürtel gehört bei diesem Trainer nicht zum Standard. Wenn Sie einen drahtlosen Brustgurt verwenden möchten, müssen Sie diesen als Zubehör erwerben.

Die genaueste Herzfrequenzmessung lässt sich mit einem Herzfrequenz-Brustgürtel erzielen. Die Herzfrequenz wird mit einem Herzfrequenzempfänger in Kombination mit einem Herzfrequenz-Sendegürtel gemessen. Für eine genaue Herzfrequenzmessung ist es erforderlich, dass die Elektroden am Sender etwas feucht sind und die Haut konstant berühren. Sind die Elektroden zu trocken oder zu feucht, wird die Herzfrequenzmessung weniger genau.

**⚠️ WARNUNG**

- Falls Sie einen Schrittmacher haben, wenden Sie sich zunächst an einen Arzt, bevor Sie einen Herzfrequenz-Brustgürtel verwenden.

**⚠️ VORSICHT**

- Falls sich mehrere Herzfrequenz-Messgeräte in gegenseitiger Nähe befinden, vergewissern Sie sich, dass der Abstand zwischen ihnen mindestens 1,5 Meter beträgt.
- Falls nur ein Herzfrequenzempfänger und mehrere Herzfrequenzsender vorhanden sind, vergewissern Sie sich, dass nur eine Person mit einem Sender in Sendereichweite ist.

**!! HINWEIS**

- Tragen Sie den Herzfrequenz-Brustgürtel stets mit direktem Hautkontakt unter Ihrer Kleidung. Tragen Sie den Herzfrequenz-Brustgürtel nicht auf Ihrer Kleidung. Falls Sie den Herzfrequenz-Brustgürtel auf Ihrer Kleidung tragen, gibt es kein Signal.
- Wenn Sie sich einen Herzfrequenz-Grenzwert für Ihr Training setzen, ertönt beim Überschreiten ein Signal.
- Der Sender überträgt die Herzfrequenz in einem Abstand bis zu 1 Meter zur Konsole. Sind die Elektroden nicht feucht, erscheint die Herzfrequenz nicht auf der Anzeige.
- Einige Fasern in der Kleidung (z.B. Polyester, Polyamid) erzeugen statische Elektrizität, die eine genaue Herzfrequenzmessung verhindern kann.
- Mobiltelefone, Fernsehgeräte und andere Elektrogeräte erzeugen ein elektromagnetisches Feld, das eine genaue Herzfrequenzmessung verhindern kann.

**Maximale Herzfrequenz (während des Trainings)**

Die maximale Herzfrequenz ist die höchste Herzfrequenz, die eine Person durch Übungsbelastung sicher erzielen kann. Folgende Formel wird zur Berechnung der durchschnittlichen maximalen Herzfrequenz verwendet:  $220 - \text{ALTER}$ . Die maximale Herzfrequenz variiert von Person zu Person.

**⚠️ WARNUNG**

- Stellen Sie sicher, dass Sie während des Trainings Ihre maximale Herzfrequenz nicht überschreiten. Falls Sie einer Risikogruppe angehören, wenden Sie sich an einen Arzt.

**Anfänger****50-60% der maximalen Herzfrequenz**

Geeignet für Anfänger, Gewicht- Beobachter, Genesende und Personen, die schon lange nicht mehr trainiert haben. Trainieren Sie mindestens dreimal pro Woche 30 Minuten an einem Stück.

**Fortgeschritten****60-70% der maximalen Herzfrequenz**

Geeignet für Personen, die ihre Fitness verbessern und halten wollen. Trainieren Sie mindestens dreimal pro Woche 30 Minuten an einem Stück.

**Experte****70-80% der maximalen Herzfrequenz**

Geeignet für die fittesten Personen, die sich an lange Ausdauertrainings gewöhnt haben.

**Gebrauch****Einstellen des Stützfußes**

Das Gerät ist mit einstellbaren Stützfüßen ausgestattet. Wenn sich das Gerät instabil, wackelig oder nicht gut nivelliert anfühlt, können diese Stützfüße eingestellt werden, um die erforderlichen Korrekturen vorzunehmen.

- Drehen Sie die Stützfüße nach Bedarf ein/aus, um das Gerät in eine stabile und möglichst waagerechte Position zu bringen.
- Ziehen Sie die Kontermuttern\* an, um die Stützfüße zu arretieren.

**!! HINWEIS**

- Das Gerät ist am stabilsten, wenn es so niedrig wie möglich auf dem Boden steht. Beginnen Sie daher mit der Nivellierung des Geräts, indem Sie alle Stützfüße ganz hineindrehen, bevor Sie die erforderlichen Stützfüße zur Stabilisierung und Nivellierung des Geräts herausdrehen.



Klicken Sie hier, um unser unterstützendes YouTube-Video zu sehen. <https://youtu.be/3BiN9mc5Tmw?t=535>

**Stromzufuhr**

Das Trainingsgerät wird über eine externe Stromversorgung mit Strom versorgt. Die Position des Stromeingangs für das Trainingsgerät finden Sie auf der Abbildung. (Abb. E-1)

**!! HINWEIS**

- Befestigen Sie den Transformator am Trainer bevor Sie diese in der Steckdose stecken.
- Entfernen sie immer das Netzkabel wenn der Trainer nicht benutzt wird.

**Einstellen der horizontalen Sitzposition**

Die horizontale Sitzposition kann durch Einstellen des Sattels in die gewünschte Position angepasst werden. (Fig. E-2)

- Lösen Sie die Sitzschiene, indem Sie den Schnellspannhebel im Uhrzeigersinn drehen.
- Bewegen Sie den Sattel in die gewünschte Position.
- Ziehen Sie die Sitzschiene fest, indem Sie den Schnellspannhebel im Uhrzeigersinn drehen.

**!! HINWEIS**

- Der Schnellspannhebel ist federbelastet. Um die Position des Hebels zurückzusetzen, können Sie den Hebel nach unten ziehen, ihn neu positionieren und wieder loslassen.

**Einstellen der vertikalen Sitzposition**

Die vertikale Sitzposition kann durch Einstellen des Sitzrohrs auf die erforderliche Position eingestellt werden. (Abb. E-2)

Wenn das Bein fast gerade ist, muss das Fußgewölbe das Pedal am untersten Punkt berühren.

- Lösen Sie den Sitzrohreinstellknopf.
- Bewegen Sie das Sitzrohr in die erforderliche Position.
- Ziehen Sie den Sitzrohreinstellknopf an.

**Einstellen der horizontalen Lenkerposition**

Die horizontale Lenkerposition kann durch Einstellen des Lenkers weiter oder näher zum Benutzer hin in die gewünschte Position gebracht werden. (Abb. E-2)

- Lösen Sie den Rahmen der Lenkerbefestigung, indem Sie den Schnellspannhebel im Uhrzeigersinn drehen.
- Bringen Sie den Rahmen der Lenkerbefestigung in die gewünschte Position.
- Ziehen Sie den Rahmen der Lenkerbefestigung fest, indem Sie den Schnellspannhebel im Uhrzeigersinn drehen.

**!! HINWEIS**

- Der Schnellspannhebel ist federbelastet. Um die Position des Hebels zurückzusetzen, können Sie den Hebel nach unten ziehen, ihn neu positionieren und wieder loslassen.

## Einstellen der Lenkerhöhe

Die Lenkerhöhe kann auf die vom Benutzer gewünschte Höhe eingestellt werden, um die beste Höhe und Trainingsposition des Benutzers zu erreichen. (Abb. E-2)

- Stützen Sie den Lenker ab, bevor Sie den Lenkereinstellknopf lösen, lösen Sie den Knopf, indem Sie ihn 2 volle Umdrehungen gegen den Uhrzeigersinn drehen, und ziehen Sie den federbelasteten Knopf heraus.
- Halten Sie den federbelasteten Knopf herausgezogen und bringen Sie den Lenker in die gewünschte Position.
- Wenn die gewünschte Höhe gefunden ist, lassen Sie den federbelasteten Knopf los und bewegen Sie den Lenker leicht nach oben/unten, um sicherzustellen, dass der federbelastete Knopf die verriegelte Befestigungsposition findet.
- Ziehen Sie den Einstellknopf für den Lenker fest an, indem Sie ihn im Uhrzeigersinn drehen.

## Notbremsenknopf (Abb. G)

Um die Notbremse zu aktivieren, drücken Sie den Bremsspannhebel vollständig und mit Druck nach unten.

## doppelfunktionspedals

### **Pedalplatten an Ihren Schuhen anbringen:**

Bei Fragen sollten Sie sich an einen Radhändler oder Ihren Schuhhersteller wenden.

Wenn Sie die Pedalplatten anbringen, sollte sich die zentrale seitliche Linie unter der Mitte des Fußballens befinden. Die Horizontaleinstellung erfolgt über die Ösen in der Sohle. Die Seiteneinstellung erfolgt über das Spiel zwischen Scheibe und Stollen. Pedalplatten gut festziehen. Die Pedalplattenposition kann genau eingestellt werden, je nach persönlicher Vorliebe und nach einem Testlauf. Es kann einige Zeit dauern, bevor Sie Ihre optimale Position gefunden haben.

### **Pedalhaken:**

Alle Standard-Pedalhaken können an diesen Pedalen angebracht werden. Verwenden Sie die Befestigungen, die mit den Pedalhaken geliefert wurden und halten Sie sich an die mitgelieferte Anleitung und achten Sie darauf, dass die Schrauben vor der Verwendung gut festgezogen sind.

### **Pedale verwenden:**

Klicken Sie die Schuhe mit den Pedalplatten in die Pedale ein, indem Sie die Platten zwischen die Bindungen stecken und nach unten drücken.

Lösen Sie die Platte, indem Sie die Schuhe nach außen weg vom Rad drehen.

Die Bindungsstärke ist einstellbar und sollte so sein, dass die Pedalplatte und der Schuhe beim Treten nicht herausrutschen. Verwenden Sie einen Inbusschlüssel zur Einstellung der Bindungsstärke. Drehen Sie die Schraube im Uhrzeigersinn, um die Bindungsstärke zu erhöhen und gegen den Uhrzeigersinn, um die Bindungsstärke zu verringern.

## Konsole



1. Anzeige
2. Tablet-/Buchstütze
3. Schalter

### **⚠ VORSICHT**

- Halten Sie die Konsole von direkter Sonneneinstrahlung fern.
- Trocknen Sie die Oberfläche der Konsole, wenn Sie mit Schweißtropfen bedeckt ist.
- Lehnen Sie sich nicht auf die Konsole.
- Berühren Sie die Anzeige nur mit Ihrer Fingerspitze. Vergewissern Sie sich, dass Ihre Nägel oder andere scharfe Gegenstände die Anzeige nicht berühren.

### **!! HINWEIS**

- Die Konsole schaltet in den Standby-Modus, wenn das Gerät 4 Minuten lang nicht verwendet wird.

## Display Funktionen

### **Time Fenster :**

- Ohne Einstellung des Sollwerts wird die Zeit summiert.
- Wenn ein Sollwert eingestellt ist, wird die Zeit vom Zielwert aus auf 0 herabgezählt. Bei 0 ertönt ein Alarm oder erscheint ein Blinklicht. Die Zeit wird wieder summiert, wenn das Training nach Erreichen des Ziels fortgesetzt wird.
- Bereich: 0:00 ~ 99:59

### **Speed Fenster :**

- Zeigt Geschwindigkeit während des Trainings.
- Bereich: 0,0 ~ 99,9

### **RPM Fenster:**

- Zeigt Umdrehungen pro Minute während des Trainings.
- Bereich: 0 ~ 999

### **Pulse (Puls)**

- Aktueller Puls wird nach sechs Sekunden angezeigt, wenn dieser von der Konsole erkannt wird.
- Wenn sechs Sekunden lang kein Puls-Signal vorhanden ist, zeigt die Konsole „P“ an.
- Der Pulsalarm ertönt, wenn der aktuelle Puls über dem Sollpuls liegt.
- Bereich: 0-30 ~ 230 BPM.

### **Watt**

- Aktuelle Trainings-Watt werden angezeigt.
- Bereich: 0 ~ 999



## **Distance (Entfernung)**

- Ohne Einstellung des Sollwerts wird die Distanz summiert.
- Wenn ein Sollwert eingestellt ist, wird die Distanz vom Zielwert aus auf 0 herabgezählt. Bei 0 ertönt ein Alarm oder erscheint ein Blinklicht.  
Die Distanz wird wieder summiert, wenn das Training nach Erreichen des Ziels fortgesetzt wird.
- Bereich: 0.00 ~ 99.99 KM.

## **Load**

- Zeigt die Einstellung der Spannungsstufe bei der Einstellung des Widerstandes für 3 Sekunden an.
- Bereich: 1 ~ 32

## **Calories (Kalorien)**

- Ohne Einstellung des Sollwerts werden die Kalorien summiert.
- Wenn ein Sollwert eingestellt ist, werden die Kalorien vom Zielwert aus auf 0 herabgezählt. Bei 0 ertönt ein Alarm oder erscheint ein Blinklicht.  
Die Kalorien werden wieder summiert, wenn das Training nach Erreichen des Ziels fortgesetzt wird.
- Bereich: 0 ~ 9999 K.Calories.

## **!! HINWEIS**

- Diese Daten sind ein grober Anhaltspunkt für den Vergleich verschiedener Trainingssitzungen. Sie können jedoch nicht für eine medizinische Behandlung verwendet werden.

## **Taste Funktionen**

### **Recovery**

- Wenn die Konsole ein Impulssignal erkennt, drücken Sie auf die Taste RECOVERY, um den Recovery-Modus zu öffnen und die Herzfrequenz-Recovery-Fähigkeit zu überwachen

### **Down**

- Den Widerstandswert verringern.
- Im Setting - niedrigeren Wert einstellen.

### **Mode**

- Bestätigung der Einstellung oder Auswahl

### **Up**

- Widerstand erhöhen.
- Im Setting - höheren Wert einstellen.

### **Reset**

- Drücken Sie im Einstellungsmodus einmal auf die Taste RESET, um die aktuellen Funktions-Darstellungen zurückzusetzen.
- Drücken Sie auf die RESET-Taste und halten Sie sie zwei Sekunden lang gedrückt, um alle Funktions-Darstellungen zurück zu setzen.

### **Start/ Stop**

- Start Training wenn im Ruhemodus.  
Stop / pause wenn das Training im aktiv-Modus ist.

## **Bedienung**

### **Einschalten**

- Stecken Sie den Stecker der Stromversorgung in die Steckdose. Der Computer fährt hoch und alle Segmente der LCD-Anzeige leuchten 2 Sekunden lang auf.
- Drücken Sie auf eine beliebige Taste, wenn sich die Konsole im Ruhemodus befindet.
- Treten Sie in die Pedale, wenn sich die Konsole im Ruhemodus befindet.

## **Ausschalten**

- Wenn vier Sekunden lang ohne Training kein Signal auf den Monitor übertragen wird, wird dieser automatisch in den Ruhemodus geschaltet (SLEEP).
- Ziehen Sie den Netzstecker, um den Computer direkt auszuschalten.

## **Programme**

### **Schnellstart**

- Drücken Sie die Taste Start/ Stop, um Ihr Training ohne Voreinstellungen zu beginnen.
- Betätigen Sie die Up/ Down Tasten zur Einstellung des Widerstandsgrads beim Training.

### **Beenden Sie Ihr Training**

- Drücken Sie im Trainingsmodus auf Start/ Stop, um das Training zu beenden/anzuhalten.  
Um das Training fortzusetzen, drücken Sie im Pausen-Modus die Start/ Stop-Taste.
- Auf die Reset-Taste drücken (im Pausen-Modus), um alle Trainingsdaten zurückzusetzen.
- Halten Sie die Taste Reset mehr als zwei Sekunden lang gedrückt, um die Konsole zurückzusetzen. (Aktive Trainingsdaten gehen verloren)

### **Manueller modus**

- Drücken Sie Up/ Down-Taste, um den manuellen Modus zu wählen und drücken Sie die Mode Taste für das nächste Eingabefeld vom manuellen Programm.
- Drücken Sie die Up/ Down-Taste, um die voreingestellte Trainingszeit einzustellen und drücken Sie die Mode-Taste, um die Einstellung zu bestätigen.

### **!! Bemerkung**

- Nach der Bestätigung können Sie auch Folgendes einstellen: Distance, Calories, & Pulse.
- Wenn Sie mehr als ein Ziel festlegen, endet das Training am ersten erzielten Ziel.
- Wenn ein Ziel leer gelassen wird, wird es nicht als Ziel gesehen werden, und ist daher keinen voreingestellten Grenzwert.

- Drücken Sie Start/ Stop Taste, um das Training zu starten.
- Drücken Sie Up/ Down Taste, um den Widerstand zu regulieren.
- Drücken Sie Start / Stop Taste um das Training zu unterbrechen.
- Drücken Sie die Reset Taste um zum Hauptmenü zurückzukehren. (aktive Trainingsdaten werden gelöscht).

### **Beginner Modus**

- Drücken Sie die Up/ Down-Taste, wählen Sie Workout-Programm, wählen Sie Beginner Modus und drücken Sie die Mode Taste um das nächste Einstellungsmenü für Beginner -Modus.einzugeben.
- Es können 4 Beginner-Modi ausgewählt werden: Beginner 1 ~ 4. Wählen Sie eine mithilfe von Up/ Down Taste und bestätigen Sie durch drücken der Mode-Taste.
- Drücken Sie die Up/ Down-Taste, um die voreingestellte Trainingszeit einzustellen.
- Drücken Sie Start/ Stop Taste, um das Training zu starten.
- Drücken Sie Up/ Down Taste, um den Widerstand zu regulieren.
- Drücken Sie Start / Stop Taste um das Training zu unterbrechen.
- Drücken Sie die Reset Taste um zum Hauptmenü zurückzukehren. (aktive Trainingsdaten werden gelöscht).

### Advance Modus

- Drücken Sie die Up/ Down-Taste, wählen Sie Workout-Programm, wählen Sie Beginner Modus und drücken Sie die Mode Taste um das nächste Einstellungsmenü für Advance -Modus.einzugeben.
- Es können 4 Advance-Modi ausgewählt werden: Advance 1 ~ 4.. Wählen Sie eine mithilfe von Up/ Down Taste und bestätigen Sie durch drücken der Mode-Taste.
- Drücken Sie die Up/ Down-Taste, um die voreingestellte Trainingszeit einzustellen.
- Drücken Sie Start/ Stop Taste, um das Training zu starten.
- Drücken Sie Start/ Stop Taste, um das Training zu starten.
- Drücken Sie Up/ Down Taste, um den Widerstand zu regulieren.
- Drücken Sie Start / Stop Taste um das Training zu unterbrechen.
- Drücken Sie die Reset Taste um zum Hauptmenü zurückzukehren. (aktive Trainingsdaten werden gelöscht).

### Sporty Modus

- Drücken Sie die Up/ Down-Taste, wählen Sie Workout-Programm, wählen Sie Beginner Modus und drücken Sie die Mode Taste um das nächste Einstellungsmenü für Beginner -Modus.einzugeben.
- Es können 4 Beginner-Modi ausgewählt werden: Sporty 1 ~ 4. Wählen Sie eine mithilfe von Up/ Down Taste und bestätigen Sie durch drücken der Mode-Taste.
- Drücken Sie die Up/ Down-Taste, um die voreingestellte Trainingszeit einzustellen.
- Drücken Sie Start/ Stop Taste, um das Training zu starten.
- Drücken Sie Up/ Down Taste, um den Widerstand zu regulieren.
- Drücken Sie Start / Stop Taste um das Training zu unterbrechen.
- Drücken Sie die Reset Taste um zum Hauptmenü zurückzukehren. (aktive Trainingsdaten werden gelöscht).

### Cardio Modus

- Drücken Sie die Up/ Down-Taste, um das Programm zu wählen. Wählen Sie Cardio Modus. Drücke Mode Taste für das nächste Einstellungsmenü.
- Drücken Sie die Up/ Down Taste zum Festlegen ihres Alters und bestätigen Sie durch Drücken der Mode Taste.
- Es können 4 Cardio-Modi ausgewählt werden:  
55% (von max HR. = 220 - alter x 55%)  
75% (von max HR. = 220 - alter x 75%)  
90% (von max HR. = 220 - alter x 90%)  
TAG (Ziel Herzfrequenz Standard ist 100. Wählen Sie eine mithilfe von Up/ Down Taste und bestätigen Sie durch drücken der Mode Taste.) Drücken Sie Up/ Down Taste und selektieren Sie eine voreingestellte Trainingszeit, bestätigen mit Mode Taste.
- Drücken Sie Start/ Stop Taste, um das Training zu starten.
- Drücken Sie Start/ Stop Taste um das Training zu unterbrechen.
- Drücken Sie die Reset-Taste um zum Hauptmenü zurückzukehren. (aktive Trainingsdaten werden gelöscht).

#### !! Bemerkung:

- Im Cardio-Modus wird die Spannung automatisch auf einen Wert eingestellt, bei dem Ihre Herzfrequenz das voreingestellte HRC-Ziel erreicht.
- Nach 6 Sekunden ohne Pulse Eingabe, wird das LCD "Puls Input" anzeigen um den Benutzer zu warnen.

### Watt-Modus

- Drücken Sie die Up/ Down-Taste, um das Programm zu wählen. Wählen Sie Watt Modus. Drücke Mode Taste für das nächste Einstellungsmenü.

- Verwenden Sie Up/ Down, um das WattZiel einzustellen. 120 ist Standard voreingestellt  
Bereich: 10~350  
bestätigen Sie durch Drücken der Mode Taste.
- Verwenden Sie die Taste Up/ Down, um Time einzustellen. Bestätigen Sie durch Drücken der Mode Taste.
- Drücken Sie Start/ Stop Taste, um das Training zu starten.
- Drücken Sie Up/ Down Taste, um den Widerstand zu regulieren (Watt).
- Drücken Sie Start / Stop Taste um das Training zu unterbrechen.
- Drücken Sie die Reset Taste um zum Hauptmenü zurückzukehren. (aktive Trainingsdaten werden gelöscht).

Im Watt-Modus wird die Spannung automatisch auf einen Wert eingestellt, bei dem Watt das voreingestellte Watt-Ziel erreicht.

#### !! HINWEIS

- Der Watt-Parameter ist eine Berechnung der Drehzahl und des Spannungsniveaus.  
Wenn die Drehzahl höher ist, ist die Spannung niedriger.  
Wenn die Drehzahl niedriger ist, ist die Spannung höher.

### Recovery

- Die Taste Recovery ist nur aktiv, wenn ein Puls erkannt wurde.
- Time zeigt „0:60“ (Sekunden) an und wird auf „0“ herabgezählt.
- Der Computer zeigt nach dem Countdown zum Testen den Herzfrequenz-Recovery-Status F1 bis F6 an. Die Herzfrequenz-Recovery-Stufe kann auf Grundlage folgender Tabelle ermittelt werden.
- Drücken Sie erneut auf die Taste Recovery, um zum Anfang zurückzukehren.

#### So lesen Sie das Testergebnis.

Das Ergebnis basiert auf dem Zustand Ihrer Herzfrequenz. Wenn Sie aktiv sind, erhöht sich Ihre Herzfrequenz in Schlägen pro Minute (bpm).

Wenn Sie Ihr Training beenden, wird sich Ihre Herzfrequenz auf ein normales Niveau einpendeln. Je schneller sich Ihre Herzfrequenz stabilisiert, desto besser ist Ihr kardialer Zustand.

Wenn Ihre Herzfrequenz in der Testminute um mindestens 50 Schläge pro Minute sinkt, wird Ihr Ergebnis als F1 angezeigt.

Wenn Ihre Herzfrequenz in der Testminute zwischen 41 und 50 Schlägen pro Minute liegt, wird Ihr Ergebnis F2 anzeigen.

Und so weiter.

F1	Herausragend	50+ bpm
F2	Hervorragend	41 ~ 50 bpm
F3	Gut	31~ 40 bpm
F4	Ausreichend	21 ~ 30 bpm
F5	Unterdurchschnittlich	11 ~ 20 bpm
F6	Schlecht	0 ~ 10 bpm

#### !! HINWEIS

- Wenn Ihre Herzfrequenz in der Testminute gestiegen ist, wird auch F6 angezeigt.
- Wenn der Modus Recovery geöffnet wird, wird das Training angehalten.
- Drücken Sie auf Start/ Stop, um das Training wieder aufzunehmen, wenn der Modus Recovery verlassen wurde oder drücken Sie auf Reset, um zum Startmenü zurückzukehren.



## Bluetooth & APP

- Diese Konsole kann über Bluetooth eine Verbindung mit ein APP auf dem Smart-Gerät herstellen. (iOS & Android)
- Erstellen Sie die Bluetooth-Verbindung nur über den Verbindungsmodus auf die installierte APP auf ihr Smartphone oder Tablet
- Wenn die Konsole mit dem Smart-Gerät über Bluetooth verbunden ist, wird die Konsole ausgeschaltet.

### !! HINWEIS

- Tunturi bietet nur die Option an, die Fitness-Konsole über eine Bluetooth-Verbindung anzuschließen. Daher ist Tunturi nicht für Schäden oder Fehlfunktionen von Produkten verantwortlich, die nicht von Tunturi sind.
- Überprüfen Sie die Website für zusätzliche Informationen

Diese Konsole kann einen Bluetooth-Herzfrequenzsender empfangen. Das Gerät muss nicht gekoppelt werden, da die Konsole den Herzfrequenzsender automatisch erkennt, wenn er sich in Reichweite befindet.

## Reinigung und Wartung

Das Gerät bedarf keiner besonderen Wartung. Das Gerät muss nicht neu kalibriert werden, wenn es gemäß den Anweisungen zusammengebaut, verwendet und gewartet wird.

### ⚠️ WARNUNG

- Entfernen Sie vor der Reinigung und Wartung den Adapter.
  - Verwenden Sie zur Reinigung des Geräts keine Lösungsmittel.
  - Reinigung und Benutzerwartung dürfen nicht von Kindern ohne Aufsicht durchgeführt werden.
- Reinigen Sie das Gerät nach dem Gebrauch mit einem weichen aufnahmefähigen Lappen.
  - Prüfen Sie regelmäßig, ob alle Schrauben und Muttern fest sind.
  - Schmieren Sie die Gelenke, falls erforderlich.

## Störungen und Fehlfunktionen

Trotz ständiger Qualitätskontrolle können durch Einzelteile verursachte Störungen und Fehlfunktionen am Gerät auftreten. In den meisten Fällen ist es ausreichend, das defekte Teil zu erneuern.

- Falls das Gerät nicht ordnungsgemäß funktioniert, wenden Sie sich unverzüglich an den Händler.
- Nennen Sie dem Händler Modell- und Seriennummer des Geräts. Schildern Sie die Art des Problems, die Gebrauchsbedingungen und das Kaufdatum.

### Fehlersuche:

- Wenn die LCD-Anzeige verdunkelt ist, sollten die Batterien ausgetauscht werden.
- Wenn Sie in die Pedale treten und kein Signal erfolgt, überprüfen Sie bitte, ob das Kabel richtig angeschlossen ist.

### !! HINWEIS

- Der Hauptbildschirm wird vier Minuten nach einem Trainingstopp ausgeschaltet.
- Wenn der Computer ungewöhnliche Dinge anzeigt, legen Sie die Batterien bitte erneut ein und versuchen Sie es noch einmal.

## Wackeliges oder instabiles Gefühl während des Gebrauchs

Wenn sich die Maschine während des Betriebs als instabil oder instabil anfühlt, ist es ratsam, die Stützfüße so einzustellen, dass der Rahmen auf die richtige Höhe gebracht wird. Lesen Sie die Anweisungen in diesem Handbuch in Abschnitt: "Gebrauch"

## Transport und Lagerung

### ⚠️ WARNUNG

- Tragen und bewegen Sie das Gerät mit mindestens zwei Personen.
- Bleiben Sie vor dem Gerät auf beiden Seiten und halten Sie die Handgriffe sicher fest. Heben Sie die Vorderseite des Geräts an, damit die Hinterseite auf die Räder gehoben wird. Bewegen Sie das Gerät und setzen Sie es vorsichtig ab. Stellen Sie das Gerät auf eine schützende Unterlage, um Schäden am Bodenbelag zu vermeiden.
  - Bewegen Sie das Gerät vorsichtig über unebene Böden. Bewegen Sie das Gerät nicht auf den Rädern Treppen herauf, sondern tragen Sie es an den Handgriffen.
  - Lagern Sie das Gerät an einem trockenen Ort mit möglichst wenig Temperaturschwankungen.

Garantie

### Eigentümer-garantie für Tunturi fitnessgeräte.

#### Garantiebedingungen

Der Käufer hat Anspruch auf die anwendbaren Bestimmungen, die in der jeweiligen nationalen Gesetzgebung für den Handel mit Konsumgütern festgelegt sind. Diese Garantie schränkt diese Rechte nicht ein. Die Garantie des Käufers gilt nur, wenn der Artikel in einer Umgebung verwendet und nach Anweisung gewartet wird, die von Tunturi New Fitness BV für dieses Gerät genehmigt wurde. Die produktspezifisch zugelassene Umgebung und Wartungshinweise sind im "Benutzerhandbuch" des Produkts angegeben. Das "Benutzerhandbuch" kann von unserer Website heruntergeladen werden. <http://manuals.tunturi.com>

#### Garantiedauer

Die Garantie gilt ab Kaufdatum. Die Garantiedauer kann sich je nach Land unterscheiden. Bitte wenden Sie sich an Ihren zuständigen Händler, um die Garantiedauer zu erfahren.

#### Garantieumfang

Unter keinen Umständen haften die Tunturi New Fitness BV oder der Tunturi-Vertragshändler für dem Käufer möglicherweise zugefügte indirekte Schäden wie Gebrauchsbeeinträchtigung oder Einkommensverlust oder anderen wirtschaftlichen Folgeschäden.

#### Einschränkungen der garantie

Die Garantie deckt durch Herstellung oder Material hervorgerufene Fehler des Fitnessgeräts in dessen ursprünglicher Zusammensetzung. Unter Voraussetzung, dass die Aufbau-, Pflege- und Gebrauchsanweisungen von Tunturi befolgt wurden, erstreckt sich die Garantie auf solche Fehler, die bei normaler und einem dem Gerät beiliegenden Anleitungsbuch entsprechender Benutzung auftreten können. Die Tunturi New Fitness BV und der Tunturi-Vertragshändler haften nicht für Fehler, die durch Faktoren außerhalb ihrer Einflussmöglichkeiten hervorgerufen wurden. Die Garantie gilt nur für den ursprünglichen Eigentümer und nur in den Ländern, in denen es einen von der Tunturi New Fitness BV autorisierten Importeur gibt. Die Garantie gilt nicht für solche Fitnessgeräte oder Teile, an denen ohne Zustimmung der Tunturi New Fitness BV Veränderungen vorgenommen worden sind. Die Garantie betrifft auch nicht solche Schäden, die durch natürlichen Verschleiß, fehlerhaften Gebrauch, Benutzung unter für das Gerät nicht vorgesehenen Umständen, Korrosion, Verladung oder Transport hervorgerufen wurden.

Ersatzleistungen aufgrund von Geräuschen, die beim Einsatz des Geräts auftreten, sind von der Garantie ausgeschlossen, sofern diese Geräusche den Gebrauch des Geräts nicht wesentlich beeinträchtigen und nicht durch einen Gerätefehler bedingt sind.

Die Garantie beinhaltet keine Wartungsmaßnahmen, wie Reinigung, Schmieren oder normales Kontrollieren der Teile, auch nicht solche Aufbaumaßnahmen, die der Kunde selbst ausführen kann und die kein spezielles Auseinander- oder Zusammenbauen des Fitnessgeräts erfordern. Zu solchen Maßnahmen gehört beispielsweise das Austauschen von Cockpits, Pedalen oder anderer entsprechender einfacher Teile. Andere als die durch einen autorisierten Tunturi-Vertreter ausgeführten Garantieleistungen werden nicht ersetzt. Durch unsachgemäße, d.h. nicht der Bedienungsanleitung entsprechenden, Bedienung, verfällt jedweder Garantieanspruch.

## Technische Daten

Parameter	Maßeinheit	Wert
Länge	cm	156.0
	inch	61.4
Breite	cm	59.0
	inch	23.2
Körpergröße	cm	142.0
	inch	55.9
Gewicht	kg	53.2
	lbs	117.3
Max. Benutzergewicht	kg	180
	lbs	397
Transformatorausgangsspezifikationen	Stromspannung	9V-DC
	Ampere	2.0 A
Herzdatenmessung verfügbar über:	Handgriffkontakt	Ja
	5.0 Khz	Nein
	5,3 Khz.	Nein
	Bluetooth (BLE)	Ja
	ANT+	Nein

### !! HINWEIS

- Die Produktabmessungen und Funktionsmaße entnehmen Sie bitte der Abbildung H

## Herstellereklärung

Tunturi New Fitness BV erklärt, dass das Platinum S20 Rennrad den folgenden Normen und Richtlinien entspricht:

- RoHS-Richtlinie (2011/65/EU)
- Allgemeine Produktsicherheitsverordnung (GPSR) – (EU) 2023/988

Hiermit erklärt Tunturi New Fitness BV, dass das Funkgerät Platinum S20 Rennrad der Richtlinie entspricht 2014/53/EU.

Die Konformitätserklärung mit allen Normen und Richtlinien kann auf unserer Website heruntergeladen werden: <https://doc.tunturi.com>

Tunturi New Fitness BV

Purmerweg 1  
1311 XE Almere  
Die Niederlande

## Haftungsausschluss

© 2025 Tunturi New Fitness BV  
Alle Rechte vorbehalten.

- Produkt und Handbuch können geändert werden.
- Die technischen Daten können ohne Vorankündigung geändert werden.
- Auf unserer Website finden Sie die neueste Version des Benutzerhandbuchs.

**Français**

Ce manuel français est une traduction de la version anglaise. Notez que la version anglaise est en tête dans le contenu lorsque des différences sont trouvées.

**Indice**

<b>Bienvenue</b> .....	<b>32</b>
<b>Avertissements de sécurité</b> .....	<b>32</b>
Sécurité électrique .....	33
<b>Instructions de montage</b> .....	<b>33</b>
Illustration de description A .....	33
Illustration de description B .....	33
Illustration de description C .....	33
Illustration de description D .....	33
Informations complémentaires de montage .....	33
Informations supplémentaires.....	33
Zone de formation libre (Fig. D-0).....	34
<b>Exercices</b> .....	<b>34</b>
Instructions d'entraînement .....	34
Fréquence cardiaque .....	34
<b>Usage</b> .....	<b>35</b>
Réglage des pieds de support.....	35
Alimentation électrique.....	35
Régler la position horizontale du siège.....	35
Régler la position verticale de la selle.....	35
Régler la position horizontale du guidon.....	36
Régler la hauteur du guidon .....	36
Bouton d'arrêt d'urgence (Image G) .....	36
Utilisation de la pédale à double fonction .....	36
<b>Console</b> .....	<b>36</b>
Explication des fonctions à l'écran.....	36
Fonctions des touches : .....	37
Fonctionnement .....	37
<b>Programmes</b> .....	<b>37</b>
Quick start (démarrage rapide) .....	37
Fin de l'entraînement.....	37
Manual mode .....	37
Beginner Mode .....	37
Advance Mode.....	38
Sporty Mode .....	38
Cardio Mode .....	38
Mode Watt (puissance).....	38
Recovery.....	38
Bluetooth & APP .....	39
<b>Nettoyage et maintenance</b> .....	<b>39</b>
Défauts et dysfonctionnements .....	39
<b>Transport et rangement</b> .....	<b>39</b>
<b>Garantie</b> .....	<b>39</b>
<b>Données techniques</b> .....	<b>40</b>
<b>Déclaration du fabricant</b> .....	<b>40</b>
<b>Limite de responsabilité</b> .....	<b>40</b>

**Bienvenue**

Bienvenue dans l'univers de Tunturi Fitness !

Merci pour votre achat de cet élément d'équipement Tunturi.

Tunturi offre toute une gamme d'équipements de fitness professionnels, notamment des vélos elliptiques, tapis de course, vélos d'appartement, rameurs, bancs de musculation, multi stations et accessoires. Les équipements Tunturi sont parfaits pour toute la famille, quel que soit le niveau de forme de ses membres. Pour en savoir plus, visitez notre site Web [www.tunturi.com](http://www.tunturi.com)

**Consignes de sécurité importantes**

Lisez attentivement ce mode d'emploi avant d'assembler, d'utiliser ou d'effectuer l'entretien de votre appareil sportif. Veuillez conserver ce guide, il contient les renseignements dont vous aurez besoin, maintenant et plus tard, pour utiliser et entretenir votre appareil. Suivez toujours les instructions très rigoureusement.

**Avertissements de sécurité**
**⚠ AVERTISSEMENT**

- Lisez les avertissements de sécurité et les instructions. Le non respect des avertissements de sécurité et des instructions est une source de blessure et de dégâts de l'équipement. Conservez les avertissements de sécurité et les instructions pour référence ultérieure.

**⚠ AVERTISSEMENT**

- Les systèmes de suivi de la fréquence cardiaque peuvent être inexactes. Un exercice excessif peut entraîner des blessures graves voire mortelles. Si vous sentez défaillir, interrompez immédiatement l'exercice.
- L'équipement est adapté à un usage domestique et professionnel uniquement (par ex. hôpitaux, caserne de pompiers, hôtels, écoles, etc.).
- Cet appareil peut être utilisé par des enfants âgés de 8 ans et plus et par des personnes ayant des capacités physiques, sensorielles ou mentales réduites ou manquant d'expérience et de connaissances s'ils ont reçu une surveillance ou des instructions concernant l'utilisation de l'appareil de manière sûre et comprennent les dangers encourus.
- Les enfants doivent être surveillés pour s'assurer qu'ils ne jouent pas avec l'appareil.
- Avant de commencer vos exercices, effectuez un bilan de santé auprès d'un médecin.
- Si vous êtes pris de nausées ou de vertiges ou sentez d'autres symptômes normaux pendant l'entraînement, interrompez immédiatement la session et consultez votre médecin.
- Afin d'éviter toutes douleurs et tensions musculaires, commencez vos séances par des échauffements et terminez-les par une récupération. N'oubliez pas de vous étirer après vos exercices.
- L'équipement est uniquement adapté à un usage intérieur. L'équipement ne convient pas à un usage extérieur.
- Utilisez l'équipement uniquement dans des environnements correctement ventilés. N'utilisez pas l'équipement dans des endroits exposés aux courants d'air afin de ne pas vous enrhumers.
- Utilisez l'équipement uniquement à une température ambiante entre 10 °C et 35 °C. Rangez l'équipement uniquement à une température ambiante entre 5 °C et 45 °C.
- N'utilisez et ne rangez pas l'équipement dans un environnement humide. L'humidité de l'air ne doit jamais dépasser 80 %.
- Utilisez l'équipement uniquement pour son usage prévu. N'utilisez pas l'équipement pour d'autres usages que ceux décrits dans le manuel.

- N'utilisez pas l'équipement si l'une de ses pièces est endommagée ou défectueuse. Si une pièce est endommagée ou défectueuse, contactez votre revendeur.
- Maintenez vos mains, vos pieds et les autres parties de votre corps à l'écart des pièces mobiles.
- Maintenez votre chevelure à l'écart des pièces mobiles.
- Portez des vêtements et des chaussures adaptés.
- Maintenez les vêtements, bijoux et autres objets à l'écart des pièces mobiles.
- Assurez-vous qu'une seule personne utilise l'équipement à la fois. L'équipement ne doit pas être utilisé par des personnes pesant plus de 180kg (397 lbs).
- N'ouvrez pas l'équipement sans consulter votre revendeur.

### Sécurité électrique

- Avant usage, assurez-vous toujours que la tension secteur est identique à celle de la plaque signalétique de l'équipement.
- N'utilisez pas de rallonge.
- Maintenez le câble secteur à l'écart de la chaleur, de l'huile et des bords coupants.
- N'altérez et ne modifiez aucunement le câble secteur ou la fiche secteur.
- N'utilisez pas l'équipement si le câble secteur ou la fiche secteur est endommagé ou défectueux. Si le câble secteur ou la fiche secteur est endommagé ou défectueux, contactez votre revendeur.
- Déroulez toujours complètement le câble secteur.
- Ne passez pas le câble secteur sous l'équipement. Ne passez pas le câble secteur sous un tapis. Ne placez aucun objet sur le câble secteur.
- Assurez-vous que le câble secteur ne pend pas sur le bord d'une table. Assurez-vous que le câble secteur ne peut pas être happé par accident ou faire trébucher.
- Ne laissez pas l'équipement sans surveillance si la fiche secteur est insérée dans la prise murale.
- Ne tirez pas sur le câble secteur pour retirer la fiche secteur de la prise murale.
- Retirez la fiche secteur de la prise murale lorsque l'équipement n'est pas utilisé, avant l'assemblage et le démontage et avant le nettoyage et la maintenance.

### AVERTISSEMENT

- N'utilisez jamais d'eau ou tout autre liquide directement sur ou à proximité de l'équipement, mais uniquement à l'aide d'un chiffon humide si cela est nécessaire pour nettoyer la machine.
- L'utilisation directe de liquide est nocive pour les composants de l'équipement et peut entraîner un choc électrique causé par un court-circuit. Cela pourrait entraîner des blessures graves, voire mortelles.
- L'appareil ne doit être utilisé qu'avec le bloc d'alimentation fourni avec l'appareil.

## Instructions de montage

### Illustration de description A

Cette illustration montre ce à quoi le trainer ressemblera une fois le montage terminé.

Vous pouvez l'utiliser au titre de référence lors du montage mais suivez bien les étapes de montage dans l'ordre indiqué tel que les illustrations le montrent.

### Illustration de description B

Cette illustration montre les composants et les pièces que vous devez trouver après avoir déballé le produit.

### REMARQUE

- Les petites pièces peuvent être cachées/rangées dans des espaces de la protection en polystyrène du produit.
- Si une pièce manque, contactez votre revendeur.

### Illustration de description C

Cette illustration montre le kit de quincaillerie fourni avec le produit. Le kit de quincaillerie contient des boulons, des rondelles, des vis, des écrous, etc. ainsi que les outils vous permettant d'installer correctement votre trainer.

### Illustration de description D

Ces illustrations vous indiquent l'ordre de montage correct pour monter votre trainer.

### AVERTISSEMENT

- Assemblez l'équipement dans l'ordre indiqué.
- Deux personnes au moins sont nécessaires pour transporter et déplacer l'équipement.

### PRÉCAUTION

- Placez l'équipement sur une surface plane et ferme.
- Placez l'équipement sur une base protectrice pour éviter d'endommager la surface du sol.
- Consultez les illustrations pour l'assemblage correct de l'équipement.

### Informations complémentaires de montage

#### **D5 Comment installer correctement les pédales**

### REMARQUE

- La droite et la gauche sont définies du point de vue de la position lors de l'exercice.

#### **Pédale droite**

Cherchez l'indication « R » (droite) ou « L » (gauche) sur l'axe de la pédale.

- Installez la pédale droite portant l'indication « R » sur le bras de pédale droit.
- Faites d'abord tourner manuellement l'axe de la pédale dans le sens des aiguilles d'une montre.
- Utilisez la clé pour bien serrer la pédale.

#### **Pédale gauche**

- Installez la pédale gauche portant l'indication « L » sur le bras de pédale gauche.
- Faites d'abord tourner manuellement l'axe de la pédale dans le sens inverse des aiguilles d'une montre.
- Utilisez la clé pour bien serrer la pédale.



Cliquez pour voir notre vidéo YouTube d'assistance  
<https://youtu.be/3BiN9mc5Tmw?t=101>

### NOTE

- Conservez les outils livrés avec ce produit après son montage, pour d'éventuels entretiens.

### Informations supplémentaires

#### **Élimination des emballages**

Les réglementations gouvernementales nous demandent de réduire la quantité de matériaux déposés dans les décharges. C'est pour cela que nous faisons appel à votre responsabilité et vous demandons de déposer les emballages dans des centres de recyclage publics.

## Élimination du produit

Chez Tunturi, nous espérons que vous profiterez longtemps de votre appareil de fitness. Cependant, nous savons bien qu'un jour ou l'autre votre machine arrivera au terme de sa vie utile. Selon la directive européenne sur les DEEE, vous êtes responsable de vous séparer correctement de votre appareil de fitness en le déposant dans un site public agréé de récupération des déchets.

## Zone de formation libre (Fig. D-0)

### Avant de l'équipement

Prévoyez un espace d'au moins 30 cm devant l'appareil.

- La zone d'entraînement libre peut être partagée avec d'autres équipements de même type lorsque les deux se font face.

### Côté de l'équipement.

Prévoyez un dégagement d'au moins 60 cm de chaque côté de l'équipement.

- La zone d'entraînement libre peut être partagée avec d'autres équipements de même type lorsque les deux se font face.

### Arrière de l'équipement

Prévoyez un espace d'au moins 200 cm derrière l'équipement.

- La zone d'entraînement libre ne peut pas être partagée avec d'autres équipements de même type. L'espace libre supplémentaire requis dépend de l'orientation des deux équipements et doit correspondre à la somme des deux valeurs.

## Exercices

Un exercice doit être suffisamment léger mais prolongé. L'exercice aérobique repose sur l'amélioration de l'absorption maximum d'oxygène par le corps, améliorant à son tour l'endurance et la forme. Vous devez transpirer mais sans jamais être à bout de souffle durant l'exercice.

Pour atteindre et entretenir un niveau de forme basique, exercez-vous au moins 3 fois par semaine, par session de 30 minutes. Accroissez le nombre des sessions d'exercice pour améliorer votre niveau de forme. Il est profitable de combiner un exercice régulier et un régime sain. Une personne suivant un régime doit s'exercer au quotidien, au début 30 minutes ou moins pour chaque session afin d'accroître ensuite progressivement le temps d'exercice quotidien pour atteindre une heure. Commencez vos exercices à une vitesse lente et avec une faible résistance pour éviter de soumettre le système cardiovasculaire à une contrainte excessive. À mesure de l'amélioration de votre forme, accroissez progressivement la vitesse et la résistance. L'efficacité de votre exercice est mesurable en suivant votre fréquence cardiaque et votre pouls.

## Instructions d'entraînement

L'utilisation de votre appareil de fitness vous procurera plusieurs avantages : il vous permettra d'améliorer votre forme physique, de tonifier vos muscles et, associé à un régime hypocalorique, de perdre du poids.

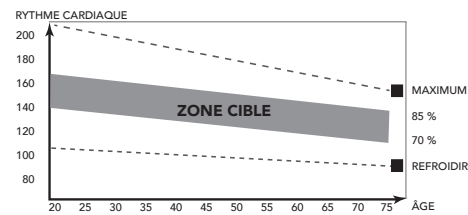
### Phase d'échauffement

Cette étape favorise la circulation du sang dans tout le corps et le bon fonctionnement des muscles. Elle réduit également le risque de crampes et de lésions musculaires.

Il est conseillé de faire quelques exercices d'étirement, comme ceux qui sont indiqués ci-dessous. Chaque étirement doit être maintenu pendant environ 30 secondes. Ne forcez pas ou n'étirez pas excessivement un muscle. Si vous sentez qu'une position vous fait mal, ARRÊTEZ.

### Phase d'exercice

C'est l'étape principale de votre entraînement. Après une utilisation régulière de l'appareil, vous sentirez que les muscles de vos jambes ont gagné en souplesse. Il est très important de maintenir un rythme régulier tout au long de la séance. Le rythme de travail doit être suffisant pour faire monter votre rythme cardiaque dans la zone cible indiquée sur le graphique ci-dessous.



Cette étape doit durer au moins 12 minutes, bien que l'on commence généralement à environ 15-20 minutes.

### Phase de refroidissement

Cette étape a pour objectif de laisser votre système cardiovasculaire et vos muscles reprendre leur rythme normal. Il s'agit d'une répétition de l'exercice d'échauffement. Baissez le rythme et continuez pendant environ 5 minutes. Vous devez ensuite refaire les exercices d'étirement et souvenez-vous de ne pas forcer ou trop étirer un muscle dans une certaine position.

À mesure que vous améliorerez votre forme, vous ressentirez peut-être le besoin de vous entraîner plus longtemps ou de faire des entraînements plus poussés. Il est conseillé de s'entraîner au moins trois fois par semaine et, si possible, d'espacer les séances régulièrement tout au long de la semaine.

### Tonification musculaire

Pour tonifier vos muscles à l'aide de l'appareil de fitness, vous devrez sélectionner une résistance assez élevée. Les muscles de vos jambes seront davantage sollicités et vous ne pourrez peut-être pas vous entraîner aussi longtemps que vous le voudriez. Si vous souhaitez également améliorer votre forme, vous devrez modifier votre programme d'entraînement. Entraînez-vous normalement pendant les phases d'échauffement et de refroidissement, mais vers la fin de l'exercice, augmentez la résistance en faisant travailler vos jambes davantage. Vous devrez réduire la vitesse pour maintenir votre rythme cardiaque dans la zone cible.

### Perte de poids

Ici, le facteur important est l'effort que vous déployez. Plus vous entraînez longtemps et de manière soutenue, plus vous brûlerez de calories. C'est en réalité le même principe que pour l'entraînement d'amélioration de la forme ; la différence est l'objectif recherché.

## Fréquence cardiaque

### Mesure de la fréquence cardiaque (sangle thoracique de fréquence cardiaque)

#### !! NOTE

- Une sangle de poitrine ne vient pas standard avec cet entraîneur. Lorsque vous souhaitez utiliser une sangle de poitrine sans fil, vous devez l'acheter en tant qu'accessoire.

La sangle thoracique de fréquence cardiaque assure la mesure de fréquence cardiaque la plus précise. La fréquence cardiaque est mesurée par un récepteur combiné à la sangle thoracique de fréquence cardiaque. Une mesure précise de la fréquence cardiaque nécessite des électrodes de sangle émettrice légèrement humides et en contact constant avec la peau. Si les électrodes sont trop sèches ou humides, la mesure de la fréquence cardiaque peut devenir moins précise.

### AVERTISSEMENT

- Si vous portez un stimulateur cardiaque, consultez votre médecin avant d'utiliser une sangle thoracique de fréquence cardiaque.

### PRÉCAUTION

- Si plusieurs dispositifs de mesure de la fréquence cardiaque sont proches les uns des autres, assurez-vous qu'ils sont au moins distants de 2 mètres.
- En présence d'un récepteur unique de fréquence cardiaque pour plusieurs émetteurs, assurez-vous qu'une seule personne avec un émetteur est à portée de transmission.

### NOTE

- Portez toujours la sangle thoracique de fréquence cardiaque sous vos vêtements, en contact direct avec votre peau. Ne portez pas votre sangle thoracique de fréquence cardiaque par-dessus vos vêtements. Si vous portez la sangle thoracique de fréquence cardiaque sur vos vêtements, il n'y a pas de signal.
- Si vous réglez une fréquence cardiaque limite pour votre exercice, une alarme retentit dès qu'elle est dépassée.
- L'émetteur transmet la fréquence cardiaque à une console jusqu'à une distance de 1,5 mètre. Si les électrodes ne sont pas suffisamment mouillées, votre fréquence cardiaque ne s'affiche pas.
- Certaines fibres des vêtements (par ex. polyester, polyamide) créent de l'électricité statique qui peut empêcher la mesure précise de la fréquence cardiaque.
- Les téléphones portables, télévisions et autres appareils électriques créent un champ électromagnétique susceptible d'empêcher une mesure précise de la fréquence cardiaque.

### Fréquence cardiaque maximum (durant l'exercice)

La fréquence cardiaque maximum est la fréquence la plus élevée qu'une personne peut atteindre en toute sécurité sous la contrainte de l'exercice. La formule suivante sert à calculer la fréquence cardiaque maximum moyenne :  $220 - \text{ÂGE}$  La fréquence cardiaque maximum varie d'une personne à l'autre.

### AVERTISSEMENT

- Assurez-vous de ne pas dépasser votre fréquence cardiaque maximum durant l'exercice. Si vous appartenez à un groupe à risque, consultez un médecin.

### Débutant

#### 50-60% de fréquence cardiaque maximum

Adapté aux débutants, aux personnes suivant leur poids, aux convalescents et aux personnes ne s'exerçant pas depuis un certain temps. Exercez-vous au moins trois fois par semaine, par session de 30 minutes.

### Avancé

#### 60-70% de fréquence cardiaque maximum

Adapté aux personnes souhaitant améliorer et entretenir leur forme. Exercez-vous au moins trois fois par semaine, par session de 30 minutes.

### Expert

#### 70-80% de fréquence cardiaque maximum

Adapté aux personnes les plus en forme, habituées aux exercices d'endurance prolongés.

## Usage

### Réglage des pieds de support

L'équipement est équipé de pieds de support réglables.

Si l'équipement semble instable, bancal ou n'est pas de niveau, vous pouvez régler ces pieds de support afin de procéder aux corrections nécessaires.

- Tournez les pieds de support vers l'intérieur/vers l'extérieur tel que cela est nécessaire afin de stabiliser l'équipement et pour qu'il soit bien de niveau.
- Serrez les contre-écrous\* pour verrouiller les pieds de support.

### REMARQUE

- L'équipement est plus stable lorsqu'il est aussi près que possible du sol. Par conséquent, commencez à mettre l'équipement de niveau en tournant complètement tous les pieds de support vers l'intérieur avant de les tourner vers l'extérieur afin de stabiliser l'équipement et de le mettre de niveau.



Cliquez pour voir notre vidéo YouTube d'assistance  
<https://youtu.be/3BiN9mc5Tmw?t=535>

### Alimentation électrique

L'alimentation de l'appareil d'entraînement est externe. Reportez-vous à l'illustration pour situer l'entrée de l'alimentation de l'appareil d'entraînement. (Fig. E-1)

### NOTE

- Fixer le transformateur sur la machine avant de le brancher dans une prise murale.
- Toujours retirer le cordon d'alimentation lorsque la machine n'est pas en fonctionnement

### Régler la position horizontale du siège

La position horizontale du siège peut être réglée en installant le siège dans la position requise. (Fig. E-2)

- Desserrez le rail du siège en tournant le levier de dégagement rapide dans le sens des aiguilles d'une montre.
- Déplacez le siège dans la position requise.
- Serrez le rail du siège en tournant le levier de dégagement rapide dans le sens des aiguilles d'une montre.

### REMARQUE

- Le levier de dégagement rapide est à ressort. Pour réinitialiser la position du levier, vous pouvez tirer le levier vers le bas, le repositionner et le relâcher à nouveau.

### Réglage de la position verticale de la selle

La position verticale de la selle est réglable en amenant le tube de selle à la position requise. (Fig. E-2)

Avec la jambe pratiquement droite, la voûte plantaire doit toucher la pédale en son point le plus bas.

- Desserrez le bouton de réglage du tube de selle.
- Amenez le tube de selle à la position requise.
- Serrez le bouton de réglage du tube de selle.

### Régler la position horizontale du guidon

La position horizontale du guidon peut être réglée en éloignant ou en rapprochant le guidon de l'utilisateur pour le mettre dans la position souhaitée. (Fig. E-2)

- Détachez le cadre de fixation du guidon en tournant le levier de blocage rapide dans le sens des aiguilles d'une montre.
- Déplacez le cadre de fixation du guidon dans la position requise.
- Serrez le cadre de fixation du guidon en tournant le levier de blocage rapide dans le sens des aiguilles d'une montre.

### !! REMARQUE

- Le levier de dégagement rapide est à ressort. Pour réinitialiser la position du levier, vous pouvez tirer le levier vers le bas, le repositionner et le relâcher à nouveau.

### Régler la hauteur du guidon

La hauteur du guidon peut être ajustée selon les préférences de hauteur de l'utilisateur pour obtenir la meilleure hauteur et la meilleure position d'exercice de l'utilisateur. (Fig. E-2)

- Soutenez le guidon avant de desserrer le bouton de réglage du guidon, desserrez le bouton en le tournant de deux tours complets dans le sens inverse des aiguilles d'une montre, et retirez le bouton à ressort.
- Maintenez le bouton à ressort tiré vers l'extérieur et déplacez le guidon dans la position souhaitée.
- Lorsque la hauteur requise est trouvée, relâchez le bouton à ressort et déplacez le guidon légèrement vers le haut/bas pour vous assurer que le bouton à ressort trouve la position de fixation fermée.
- Serrez fermement le bouton de réglage du guidon en la tournant dans le sens des aiguilles d'une montre.

### Bouton d'arrêt d'urgence (Image G)

Pour activer le frein d'urgence, appuyez à fond et avec force sur le levier de tension du frein.

### Utilisation de la pedale a double fonction

Si vous avez des questions, veuillez consulter un distributeur de vélos pour obtenir de l'aide ou reportez-vous aux instructions du fabricant de chaussures.

Lorsque vous fixez la cale, la ligne centrale latérale doit se trouver sous le centre de la pointe du pied. Réglez vers l'avant et vers l'arrière via les logements dans la semelle de la chaussure. Réglez latéralement via le jeu entre la rondelle de la cale et la cale. Serrez les cales fermement. La position des cales peut être réglée finement en fonction des préférences personnelles après un essai. Cela peut prendre un certain temps avant de trouver la configuration optimale.

### Cale-pieds:

Tous les cale-pieds standard peuvent être fixés aux pédales. Utilisez les instructions d'installation et de fixation du matériel fournis avec les cale-pieds et veillez à ce que les vis soient correctement serrées avant utilisation.

### Pour utiliser les pédales:

Engagez vos chaussures à cales dans les pédales en plaçant la cale entre les fixations en appuyant vers le bas. Désengagez en tordant le talon vers l'extérieur du vélo. La tension de fixation est réglable et doit être réglée de manière à ce que la cale et la chaussure ne se désengagent pas pendant l'exercice. Utilisez une clé Allen pour régler les vis de tension, dans le sens horlogique pour augmenter la tension et dans le sens contraire pour la réduire.

## Console



1. Écran
2. Assistance tablette/livre
3. Boutons

### ⚠ PRÉCAUTION

- Maintenez la console à l'écart de la lumière directe du soleil.
- Séchez la surface de la console dès qu'elle est couverte de gouttes de sueur.
- Ne vous appuyez pas sur la console.
- Touchez l'affichage uniquement avec le bout du doigt. Assurez-vous de ne pas toucher l'affichage avec vos ongles ou des objets coupants.

### !! NOTE

- La console passe en mode de veille si l'équipement n'est pas utilisé pendant 4 minutes.

### Explication des fonctions à l'écran

#### Fenêtre Time :

- La durée est additionnée sans définir de valeur cible.
- Lorsqu'une valeur cible est fixée, la durée est comptée à rebours, de la valeur cible à 0 et l'alarme résonnera ou clignotera. La durée continuera à s'additionner si l'entraînement n'est pas arrêté une fois l'objectif atteint.
- Portée: 0:00 ~ 99:59

#### Fenêtre Speed :

- Affiche la vitesse réelle pendant une séance.
- Portée: 0,0 ~ 99,9

#### Fenêtre RPM :

- Affiche les tours par minute pendant une séance.
- Portée: 0 ~ 999.

#### Pulse (Pouls)

- Le pouls actuel s'affiche après 6 secondes de la détection par la console.
- La console affiche « P » s'il n'y a aucun signal de pouls pendant 6 secondes.
- L'alarme de pouls résonne lorsque le pouls actuel est supérieur au pouls cible.
- Portée: 0-30 ~ 230 BPM.

#### Watt

- Affiche la puissance actuelle de l'entraînement.
- Portée: 0 ~ 999

### Distance

- La distance parcourue est additionnée sans définir de valeur cible.
- Lorsqu'une valeur cible est fixée, la distance est comptée à rebours, de la valeur cible à 0 avec une alarme sonore ou clignotante.  
La distance parcourue continuera à s'additionner si l'entraînement n'est pas arrêté une fois l'objectif atteint.
- Portée: 0.00 ~ 99.99 KM.

### Load

- Indique le réglage du niveau de tension, lors du réglage de la résistance, pendant 3 secondes.
- Portée: 1 ~ 32

### Calories

- Les calories s'additionnent sans définir de valeur cible.
- Lorsqu'une valeur cible est fixée, les calories sont comptées à rebours, de la valeur cible à 0 avec une alarme sonore ou clignotante.  
Les calories continueront à s'additionner si l'entraînement n'est pas arrêté une fois l'objectif atteint.
- Portée: 0 ~ 9999 K.Calories.

### !! NOTE

- Ces données sont fournies à titre indicatif pour comparer entre différentes séances d'entraînement ; elles ne doivent pas être utilisées dans le cadre d'un traitement médical.

### Fonctions des touches :

#### Recovery

- Permet de mesurer la capacité de récupération du rythme cardiaque.

#### Down

- Réduit le niveau de résistance pendant l'entraînement.
- Permet également de réduire une valeur lors de la sélection d'un paramètre.

#### Mode

- Confirme le paramètre ou le choix.

#### Up

- Augmente le niveau de résistance pendant l'entraînement.
- Permet également d'augmenter une valeur lors de la sélection d'un paramètre.

#### Reset

- En mode réglage, appuyer une fois sur la touche RESET pour réinitialiser les chiffres actuels des fonctions.
- Maintenir la touche RESET enfoncée pendant 2 secondes pour réinitialiser tous les chiffres des fonctions.

#### Start/ Stop

- Démarre l'entraînement lorsque la machine est en veille.
- Met l'entraînement en pause ou l'arrête.

### Fonctionnement

#### Marche

- Branchez l'alimentation électrique : l'ordinateur se met sous tension et affiche tous les segments sur l'écran LCD pendant 2 secondes.
- Appuyer sur une touche pour mettre en marche la console en mode veille.
- Commencer à pédaler pour mettre en marche la console en mode veille.

### Mettre hors tension

- Le moniteur passe automatiquement en mode SLEEP (veille) si aucun signal n'est transmis au moniteur pendant 4 minutes.
- Débranchez l'alimentation pour éteindre l'ordinateur directement.

### Programmes

#### Quick start (démarrage rapide)

- Appuyez sur la touche Start/ Stop pour commencer votre entraînement sans configurer aucun paramètre au préalable.
- Utilisez la molette Up/ Down pour ajuster le niveau de résistance pendant l'entraînement.

#### Fin de l'entraînement

- Appuyez sur Start/ Stop en mode entraînement pour arrêter/mettre en pause votre entraînement.  
Pour relancer votre entraînement, appuyez sur le bouton Start/ Stop en mode pause.
- Appuyez sur la touche Reset (en mode Pause) pour réinitialiser toutes les données d'entraînement.
- Maintenez la touche Reset enfoncée pendant 2 secondes pour réinitialiser la console. (Les données d'entraînement actives seront perdues)

#### Manual mode

- Appuyer sur les flèches vers le Up/ Down pour sélectionner un programme d'entraînement et appuyer sur la touche mode pour définir le paramètre suivant du programme en mode manuel.
- Appuyer sur les flèches vers le Up/ Down pour définir une durée d'entraînement et appuyer sur la touche Mode pour confirmer votre choix.

#### !! Remarque:

- Après avoir confirmé, vous pouvez également configurer Distance, Calories, & Pulse.
- Si vous fixez plusieurs objectifs, l'entraînement s'arrêtera après chaque objectif atteint.
- Laissez un objectif vide et il ne sera pas considéré comme une limite prédéfinie.

- Appuyez sur la touche Start/ Stop pour commencer l'entraînement.
- Appuyez sur les flèches vers le Up/ Down pour régler le niveau de résistance.
- Appuyez sur la touche Start/ Stop pour mettre l'entraînement en pause.
- Appuyez sur la touche Reset pour retourner au menu principal. (les données de l'entraînement en cours seront perdues)

#### Beginner Mode

- Appuyez sur les flèches vers le Up/ Down pour sélectionner un programme d'entraînement. Choisissez le mode beginner et appuyez sur la touche Mode pour définir le paramètre suivant du mode beginner.
- Quatre modes beginner peuvent être sélectionnés : Beginner 1 ~ 4. Sélectionnez l'un des modes à l'aide des flèches vers le Up/ Down et confirmez votre choix en appuyant sur la touche Mode.
- Appuyer sur les flèches vers le Up/ Down pour définir une durée d'entraînement.
- Appuyez sur la touche Start/ Stop pour commencer l'entraînement.
- Appuyez sur les flèches vers le Up/ Down pour régler le niveau de résistance.

- Appuyez sur la touche Start/ Stop pour mettre l'entraînement en pause.
- Appuyez sur la touche Reset pour retourner au menu principal. (les données de l'entraînement en cours seront perdues)

### **Advance Mode**

- Appuyez sur les flèches vers le Up/ Down pour sélectionner un programme d'entraînement. Choisissez le mode Advance et appuyez sur la touche Mode pour définir le paramètre suivant du mode Advance
- Quatre modes Advance peuvent être sélectionnés : Advance 1 ~ 4. Sélectionnez l'un des modes à l'aide des flèches vers le Up/ Down et confirmez votre choix en appuyant sur la touche Mode.
- Appuyez sur les flèches vers le Up/ Down pour définir une durée d'entraînement.
- Appuyez sur la touche Start/ Stop pour commencer l'entraînement.
- Appuyez sur les flèches vers le Up/ Down pour régler le niveau de résistance.
- Appuyez sur la touche Start/ Stop pour mettre l'entraînement en pause.
- Appuyez sur la touche Reset pour retourner au menu principal. (les données de l'entraînement en cours seront perdues)

### **Sporty Mode**

- Appuyez sur les flèches vers le Up/ Down pour sélectionner un programme d'entraînement. Choisissez le mode Sporty et appuyez sur la touche Mode pour définir le paramètre suivant du mode Sporty
- Quatre modes Sporty peuvent être sélectionnés: Sporty 1 ~ 4. Sélectionnez l'un des modes à l'aide des flèches vers le Up/ Down et confirmez votre choix en appuyant sur la touche Mode.
- Appuyez sur les flèches vers le Up/ Down pour définir une durée d'entraînement.
- Appuyez sur la touche Start/ Stop pour commencer l'entraînement. Appuyez sur les flèches vers le Up/ Down pour régler le niveau de résistance.
- Appuyez sur la touche Start/ Stop pour mettre l'entraînement en pause.
- Appuyez sur la touche Reset pour retourner au menu principal. (les données de l'entraînement en cours seront perdues)

### **Cardio Mode**

- Appuyez sur la touche Up/ Down du bouton rotatif pour sélectionner un programme d'entraînement. Choisissez le mode H.R.C. et appuyez sur la touche Mode pour définir le paramètre suivant du programme en mode Cardio.
- Appuyez sur la touche Up/ Down du bouton rotatif pour régler l'âge
- Quatre modes Cardio peuvent être sélectionnés : 55% ( De la HR maximale =  $220 - \text{âge} \times 55\%$  )  
75% ( De la HR maximale =  $220 - \text{âge} \times 75\%$  )  
90% ( De la HR maximale =  $220 - \text{âge} \times 90\%$  )  
TAG (rythme cardiaque cible, défini par défaut comme 100, utilisez les flèches vers le Up/ Down pour modifier la valeur et confirmez en appuyant sur la touche mode).  
Sélectionnez l'un des modes à l'aide des flèches vers le Up/ Down et confirmez votre choix en appuyant sur la touche Mode.
- Appuyez sur les flèches vers le Up/ Down pour définir une durée d'entraînement et appuyez sur la touche Mode pour confirmer votre choix.
- Appuyez sur la touche Start/ Stop pour commencer l'entraînement.
- Appuyez sur la touche Start/ Stop pour mettre l'entraînement en pause.

- Appuyez sur la touche Reset pour retourner au menu principal. (les données de l'entraînement en cours seront perdues)

### **!! Remarque:**

- En mode Cardio, la tension sera automatiquement ajustée à une insensibilité où votre fréquence cardiaque atteindra la cible prédéfinie.
- Si le système ne reçoit plus d'impulsion d'entrée pendant 6 secondes, le message "Pulse Input" s'affichera à l'écran pour prévenir l'utilisateur.

### **Mode Watt (puissance)**

- Appuyez sur la touche Up/ Down du bouton rotatif pour sélectionner un programme d'entraînement. Choisissez le mode Watt. et appuyez sur la touche Mode pour définir le paramètre suivant du programme en mode Watt
- Utilisez Up/ Down (haut/bas) du bouton pour définir l'objectif de puissance (Watt).  
120 est la valeur par défaut  
Portée: 10-350.  
Appuyez sur Mode pour confirmer votre choix.
- Appuyez sur les flèches vers le Up/ Down pour définir une durée d'entraînement et appuyez sur la touche Mode pour confirmer votre choix.
- Appuyez sur la touche Start/ Stop pour commencer l'entraînement.
- Appuyez sur les flèches vers le Up/ Down pour régler le niveau de résistance (Watt).
- Appuyez sur la touche Start/ Stop pour mettre l'entraînement en pause.
- Appuyez sur la touche Reset pour retourner au menu principal. (les données de l'entraînement en cours seront perdues)

En mode Watt, la tension sera automatiquement ajustée à une insensibilité où la valeur de Watts atteindra l'objectif prédéfini.

### **!! REMARQUE**

- Le paramètre Watt est un calcul du nombre de rotations par minute et du niveau de tension.  
Plus le nombre de rotations par minute sera élevé, moins la tension sera élevée.  
Moins le nombre de rotations par minute sera élevé, plus la tension sera élevée.

### **Recovery**

- La touche Recovery (récupération) est valide si un pouls est décelé.
- Time (durée) affiche « 0:60 » (secondes) et compte à rebours jusqu'à 0.
- L'ordinateur affiche F1 à F6 après le compte à rebours afin de tester l'état de récupération du rythme cardiaque. Le niveau de récupération du rythme cardiaque peut être retrouvé dans le graphique ci-après.
- Appuyez à nouveau sur la touche Recovery (récupération) pour revenir au début.

### **Comment lire le résultat du test.**

Le résultat est basé sur l'état de votre fréquence cardiaque. Lorsque vous êtes actif, votre fréquence cardiaque augmente en battements par minute (bpm.).

Lorsque vous terminez votre séance d'entraînement, votre rythme cardiaque se stabilise à la normale. Plus votre rythme cardiaque se stabilise rapidement, meilleure est votre condition cardiaque. Lorsque votre fréquence cardiaque diminue d'au moins 50 bpm pendant la minute de test, votre résultat indiquera F1. Lorsque votre fréquence cardiaque diminue de 41~50 bpm pendant la minute de test, votre résultat indiquera F2. Et ainsi de suite.

F1	Extraordinaire	50+ bpm
F2	Excellent	41 ~ 50 bpm
F3	Bien	31~ 40 bpm
F4	Assez bien	21 ~ 30 bpm
F5	Inférieur à la moyenne	11 ~ 20 bpm
F6	Médiocre	0 ~ 10 bpm

## !! REMARQUE

- Si votre rythme cardiaque a augmenté pendant la minute de test, il indiquera également F6.
- L'entraînement fait une pause lorsqu'on passe au mode Recovery (récupération).
- Appuyer sur Start/ Stop (marche/arrêt) pour reprendre l'entraînement en quittant le mode Recovery (récupération) ou appuyer sur Reset pour revenir au menu Démarrer.

## Bluetooth & APP

- Cette console peut être connectée à l'APP sur l'appareil intelligent via Bluetooth.  
(iOS & Android)
- Établissez la connexion Bluetooth uniquement via le mode de connexion sur l'application installée sur votre périphérique intelligent.
- Une fois la console connectée à l'appareil intelligent via Bluetooth elle s'éteindra.

## !! NOTE

- Tunturi vous fournit seulement la possibilité de raccorder votre console de fitness via une connexion Bluetooth. Par conséquent, Tunturi ne peut être tenu responsable des dommages ou du mauvais fonctionnement des produits autres que ceux de Tunturi.
- Consultez le site Web pour plus d'informations.

Cette console peut recevoir un émetteur de fréquence cardiaque Bluetooth. Il n'est pas nécessaire d'apparier l'appareil, car la console détectera automatiquement l'émetteur de fréquence cardiaque lorsque celui-ci est à portée.

## Nettoyage et maintenance

Cet équipement ne nécessite aucune maintenance spéciale. L'équipement n'a besoin d'aucune calibration après son assemblage, son utilisation et son entretien conformément aux instructions.

### ⚠ AVERTISSEMENT

- Avant le nettoyage et la maintenance, retirez l'adaptateur.
  - N'utilisez aucun solvant pour nettoyer l'équipement.
  - Le nettoyage et l'entretien de l'utilisateur ne doivent pas être effectués par des enfants sans surveillance.
- Nettoyez l'équipement avec un chiffon doux et absorbant après chaque usage.
  - Vérifiez régulièrement le serrage de tous les écrous et vis.
  - Si nécessaire, lubrifiez les joints.

## Défauts et dysfonctionnements

Malgré un contrôle continu de la qualité, des défauts ou des dysfonctionnements peuvent être occasionnés par des composants individuels. La plupart du temps, il vous suffit de remplacer la pièce défectueuse.

- Si l'équipement ne fonctionne pas correctement, contactez immédiatement le revendeur.
- Fournissez le numéro de modèle et le numéro de série de l'équipement au revendeur. Mentionnez la nature du problème, les conditions d'usage et la date d'achat.

## Résolution des pannes :

- Les piles doivent être changées lorsque l'affichage LCD devient sombre.
- Vérifier que le câble est bien branché s'il n'y a aucun signal lorsque vous pédalez.

## !! REMARQUE

- L'écran principal s'éteindra si l'entraînement est à l'arrêt pendant 4 minutes.
- Si l'affichage de l'ordinateur n'est pas normal, veuillez réinstaller les piles et réessayer.

## Sensation fragile ou instable pendant l'utilisation.

Si la machine semble instable ou instable pendant le fonctionnement, il est conseillé de régler les pieds de support pour amener le cadre à la bonne hauteur. Lisez les instructions de ce manuel dans la section: "Usage"

## Transport et rangement

### ⚠ AVERTISSEMENT

- Deux personnes au moins sont nécessaires pour transporter et déplacer l'équipement.
- En vous tenant devant l'équipement de chaque côté, saisissez fermement ses guidons. Levez l'avant de l'équipement pour que l'arrière repose sur les roues. Déplacez l'équipement et reposez-le prudemment. Placez l'équipement sur une base protectrice pour éviter d'endommager la surface du sol.
  - Déplacez prudemment l'équipement sur les surfaces irrégulières. Ne déplacez pas l'équipement sur ses roues pour monter des escaliers mais transportez-le par les guidons.
  - Rangez l'équipement dans un endroit sec exposé à des variations de température minimales.

## Garantie

### Garantie du propriétaire d'un équipement de Tunturi

#### Conditions de garantie

Le consommateur est protégé par la législation en vigueur concernant le commerce des biens de consommation. Cette garantie ne limite pas ces droits. La Garantie de l'acheteur n'est valide que si le produit est utilisé dans l'environnement préconisé par la société Tunturi New Fitness BV, et est conservé tel que cela est indiqué pour cet équipement donné. L'environnement approuvé spécifique au produit et les instructions d'entretien sont indiqués dans le « manuel d'utilisation » du produit. Le « manuel d'utilisation » peut être téléchargé sur notre site Web. <http://manuals.tunturi.com>

#### Conditions de garantie

Les conditions de garantie sont applicables à compter de la date d'achat et peuvent varier selon les pays. Demandez conseil à votre revendeur.

#### Étendue de la garantie

En aucun cas Tunturi New Fitness BV, le revendeur ou le distributeur Tunturi ne répondra des éventuels dommages spéciaux, indirects, secondaires ou consécutifs, de quelque nature que ce soit, liés à l'utilisation de ou à l'inaptitude à utiliser cet équipement.

### Restrictions de garantie

La garantie couvre les défauts de fabrication et de matériaux dans un équipement d'origine, sorti d'usine et conditionné par Tunturi New Fitness BV. La garantie couvre uniquement les défauts apparaissant lors d'une utilisation normale et conforme aux instructions du manuel du propriétaire, à condition que les instructions de montage, de maintenance et d'utilisation établies par Tunturi New Fitness BV aient été respectées. Tunturi New Fitness BV et les revendeurs Tunturi ne répondent pas des défauts occasionnés par des conditions indépendantes de leur volonté. La garantie est applicable uniquement au premier acheteur et est valable uniquement dans les pays où Tunturi New Fitness BV dispose d'un distributeur agréé. La garantie ne s'étend pas aux équipements de fitness ou aux pièces qui ont été modifiées sans l'autorisation de Tunturi New Fitness BV. La garantie ne s'applique pas aux défauts provenant d'une usure normale, d'une utilisation inadaptée, d'une utilisation dans des conditions non prévues par le fabricant, de la corrosion ou d'un dommage intervenu lors du chargement ou du transport.

La garantie ne couvre pas les sons ou les bruits émis par l'équipement s'ils ne gênent pas son utilisation et s'ils ne sont pas provoqués par un dysfonctionnement.

La garantie ne couvre pas non plus les mesures de maintenance, telles que le nettoyage, la lubrification ou la vérification normale des pièces, ni les actions que le client peut effectuer lui-même et qui n'exigent pas particulièrement de monter/ démonter l'équipement. Ces actions sont par exemple le changement des compteurs, des pédales ou autres pièces similaires faciles à changer. Seules les réparations sous garantie effectuées par un revendeur ou par le distributeur agréé Tunturi seront prises en charge. Le non-respect des instructions décrites dans le Manuel de l'Utilisateur entraînera l'annulation de la garantie.

### Données techniques

Paramètre	Unité de mesure	Valeur
Longueur	cm	156.0
	inch	61.4
Largeur	cm	59.0
	inch	23.2
Hauteur	cm	142.0
	inch	55.9
Poids	kg	53.2
	lbs	117.3
Poids maxi. utilisateur	kg	180
	lbs	397
Spécifications de sortie du transformateur	Le voltage	9V-DC
	Ampère	2.0 A
Mesure de la fréquence cardiaque disponible via:	Contact par prise en main	Oui
	5.0 Khz	Non
	5,3 kHz.	Non
	Bluetooth (BLE)	Oui
	ANT+	Non

#### !! REMARQUE

- Pour connaître les dimensions du produit et les dimensions fonctionnelles, veuillez consulter la figure H.

### Déclaration du fabricant

Tunturi New Fitness BV déclare que le Platinum S20 Vélo spinnings est conforme aux normes et directives suivantes :

- Directive RoHS (2011/65/EU)
- Règlement général sur la sécurité des produits (RGSP) – (UE) 2023/988

Par la présente, Tunturi New Fitness BV déclare que l'équipement radio de type Platinum S20 Vélo spinnings est conforme à la directive 2014/53/EU.

La déclaration de conformité comprenant toutes les normes et directives peut être téléchargée sur notre site web : <https://doc.tunturi.com>

Tunturi New Fitness BV  
Purmerweg 1  
1311 XE Almere  
Pays-Bas

### Limite de responsabilité

© 2025 Tunturi New Fitness BV  
Tous les droits réservés.

- Le produit et le manuel sont sujets à modifications.
- Les spécifications peuvent changer sans préavis.
- Consultez notre site Web pour obtenir la dernière version du manuel d'utilisation.

**Nederlands**

Deze Nederlandse handleiding is een vertaling van de Engelse tekst. Aan deze vertaling kunnen geen rechten ontleend worden. De originele Engelse tekst blijft leidend.

**Inhoud**

**Welkom.....41**

**Veiligheidswaarschuwingen.....41**  
Elektrische veiligheid .....42

**Montage instructies.....42**  
Beschrijving afbeelding A .....42  
Beschrijving afbeelding B.....42  
Beschrijving afbeelding C .....42  
Beschrijving afbeelding D .....42  
Aanvullende montage-informatie .....42  
Aanvullende informatie .....42  
Vrije trainingsruimte (Fig. D-0) .....43

**Trainingen .....43**  
Instructies .....43  
Hartslag .....43

**Gebruik.....44**  
Afstellen van de steunvoeten .....44  
Stroom voeding.....44  
Het zadel horizontaal verstellen .....44  
Afstellen van de verticale zadelpositie .....44  
Het stuur horizontaal verstellen.....44  
Het stuur in hoogte verstellen.....44  
Noodstopknop (Afb. G).....45  
Gebruik van de twee functies van de pedalen.....45

**Console.....45**  
Display functies .....45  
Toets functies .....46  
Bediening.....46

**Programma's.....46**  
Snelle start.....46  
Training beëindigen .....46  
Manueel mode .....46  
Beginner Mode .....46  
Advance Mode.....46  
Sporty Modus.....46  
Cardio Modus.....47  
Modus Watt.....47  
Recovery.....47  
Bluetooth & APP .....47

**Reiniging en onderhoud .....48**  
Defecten en storingen.....48

**Transport en opslag.....48**

**Garantie.....48**

**Technische gegevens .....49**

**Verklaring van de fabrikant .....49**

**Disclaimer .....49**

**Welkom**

Welkom in de wereld van Tunturi Fitness!

Hartelijk dank voor uw aankoop van dit Tunturi-toestel. Tunturi biedt een grote verscheidenheid aan professionele toestellen zoals crosstrainers, loopbanden, fietstrainers, roeimachines, krachtbanken, multistations en accessoires. Het Tunturi-toestel is geschikt voor de hele familie, onafhankelijk van de conditie. Meer informatie vindt u op de website [www.tunturi.com](http://www.tunturi.com)

**Belangrijke Informatie**

Deze gids is een essentieel onderdeel van uw Tunturi looptrainer. Lees deze gids zorgvuldig door vóórdat u begint met monteren, gebruiken of onderhouden van uw looptrainer. Bewaar de gids op een handige plaats. U kunt er, nu en in de toekomst, nuttige informatie uithalen die u nodig heeft voor het gebruik en het onderhoud van de apparatuur. Volg de instructies altijd met zorg op.

**Veiligheidswaarschuwingen**

**⚠ WAARSCHUWING**

- Lees de veiligheid-waarschuwingen en de instructies. Het niet opvolgen van de veiligheid-waarschuwingen en de instructies kan persoonlijk letsel of beschadiging van het toestel veroorzaken. Bewaar de veiligheid-waarschuwingen en instructies voor toekomstig gebruik.

**⚠ WAARSCHUWING**

- Hartslag-bewakingssystemen kunnen onnauwkeurig zijn. Overmatig trainen kan leiden tot ernstig letsel of de dood. Als u zich duizelig voelt, stop dan onmiddellijk met trainen.

- Het toestel is uitsluitend geschikt voor huishoudelijk en professioneel gebruik (bijv. ziekenhuizen, brandweerkazernes, hotels, scholen, etc.).
- Dit apparaat kan worden gebruikt door kinderen vanaf 8 jaar en door personen met verminderde lichamelijke, zintuiglijke of geestelijke vermogens of met een gebrek aan ervaring en kennis, indien zij onder toezicht staan of instructies hebben gekregen over het veilige gebruik van het apparaat en indien zij begrijpen welke gevaren het apparaat met zich meebrengt.
- Kinderen moeten onder toezicht staan om ervoor te zorgen dat ze niet met het apparaat spelen.
- Als u misselijkheid, duizeligheid of andere abnormale symptomen ervaart, stop dan onmiddellijk met uw training en raadpleeg een arts.
- Om spierpijn en te zware belasting te voorkomen, moet u elke training beginnen met een warming-up en eindigen met een cooling-down. Vergeet niet om uw spieren te strekken aan het einde van de training.
- Het toestel is uitsluitend geschikt voor gebruik binnenshuis. Het toestel is niet geschikt voor gebruik buitenshuis.
- Gebruik het toestel alleen in een omgeving met voldoende ventilatie. Gebruik het toestel niet in een tochtige omgeving om geen kou te vatten.
- Gebruik het toestel alleen in een omgeving met een omgevingstemperatuur tussen 10 °C en 35 °C. Berg het toestel alleen op bij een omgevingstemperatuur tussen 5 °C en 45 °C.
- Gebruik het toestel niet in een vochtige omgeving. Berg het toestel niet op in een vochtige omgeving. De luchtvochtigheid mag nooit meer zijn dan 80%.
- Gebruik het toestel alleen voor het doel waarvoor het gemaakt is. Gebruik het toestel niet voor andere doelstellingen dan beschreven in de handleiding.

- Gebruik het toestel niet als een onderdeel is beschadigd of niet goed werkt. Raadpleeg uw dealer als een onderdeel is beschadigd of niet goed werkt.
- Houd uw handen, voeten en andere lichaamsdelen uit de buurt van de bewegende delen.
- Houd uw haar uit de buurt van de bewegende delen.
- Draag geschikte kleding en schoenen.
- Houd kleding, sieraden en andere voorwerpen uit de buurt van de bewegende delen.
- Zorg ervoor dat het toestel slechts door één persoon tegelijk wordt gebruikt. Het toestel mag niet worden gebruikt door personen die meer dan 180kg (397 lbs) wegen.
- Maak het toestel niet open zonder eerst uw dealer te raadplegen.

### **Elektrische veiligheid**

- Controleer voor gebruik altijd of de netspanning gelijk is aan de spanning op het typeplaatje van het toestel.
- Gebruik geen verlengsnoer.
- Houd het snoer uit de buurt van warmte, olie en scherpe randen.
- Verander of wijzig het snoer of de stekker niet.
- Gebruik het toestel niet als het snoer of de stekker beschadigd is of niet goed werkt. Als het snoer of de stekker is beschadigd of niet goed werkt, raadpleeg dan uw dealer.
- Rol het snoer altijd helemaal uit.
- Laat het snoer niet onder het toestel door lopen. Laat het snoer niet onder een kleed door lopen. Plaats geen voorwerpen op het snoer.
- Zorg ervoor dat het snoer niet over de rand van een tafel hangt. Zorg ervoor dat niemand per ongeluk achter het snoer kan blijven haken of erover kan struikelen.
- Laat het toestel niet onbewaakt achter wanneer de stekker in het stopcontact zit.
- Trek niet aan het snoer als u de stekker uit het stopcontact wilt halen.
- Verwijder de stekker uit het stopcontact wanneer het toestel niet in gebruik is, vóór montage of demontage en vóór reiniging en onderhoud.

### **⚠ WAARSCHUWING**

- Gebruik nooit water of andere vloeistof direct op of in de buurt van de apparatuur. Als er vocht nodig is om de machine te reinigen, maak dan alleen gebruik van een vochtige doek.
- Direct gebruik van vloeistof op de apparatuur is schadelijk voor de onderdelen en kan leiden tot een elektrische schok als gevolg van kortsluiting. Dit kan leiden tot ernstig persoonlijk letsel of zelfs de dood.
- Het apparaat mag uitsluitend worden gebruikt met de bijgeleverde stroomtransformator

## **Montage instructies**

### **Beschrijving afbeelding A**

De illustratie laat zien hoe de trainer er na de montage uitziet. U kunt dit als referentie gebruiken tijdens de montage, maar volg de montageschappen altijd in de juiste volgorde, zoals aangegeven op de afbeeldingen.

### **Beschrijving afbeelding B**

De illustratie laat zien welke componenten en onderdelen er in uw pakket moeten zitten.

### **!! OPMERKING**

- Kleine onderdelen kunnen soms enigszins verborgen verpakt zitten in holle ruimtes in het beschermende piepschuimmateriaal om het product.
- Raadpleeg uw dealer als een onderdeel ontbreekt.

### **Beschrijving afbeelding C**

De afbeelding toont de hardwarekit die bij uw product wordt geleverd.

De hardwarekit bevat bouten, ringen, schroeven, moeren etc. en het benodigde gereedschap om uw trainer op de juiste manier te monteren.

### **Beschrijving afbeelding D**

Op de afbeeldingen staat aangegeven in welke volgorde de trainer moet worden gemonteerd.

### **⚠ WAARSCHUWING**

- Monteer het apparaat in de aangegeven volgorde.
- Draag en verplaats het toestel met minstens twee personen.

### **⚠ VOORZICHTIG**

- Zet het toestel op een stevige, vlakke ondergrond.
- Zorg voor een beschermende laag onder het toestel om schade aan het vloeroppervlak te voorkomen.
- Raadpleeg de illustraties voor de juiste assemblage van het toestel.

### **Aanvullende montage-informatie**

#### **D5 Correcte montage van de pedalen**

### **!! OPMERKING**

- Wat links en rechts is, wordt bepaald vanuit de positie op de fiets.

#### **Rechter pedaal**

Kijk of er een "R"- of "L"-markering op de pedaalas staat

- Monteer het rechterpedaal "R" in de rechtercrank.
- Draai eerst de pedaalas met de hand met de klok mee.
- Gebruik de steeksleutel om het pedaal goed vast te draaien.

#### **Linker pedaal**

- Monteer het linkerpedaal "L" in de linkercrank.
- Draai eerst de pedaalas met de hand tegen de klok in.
- Gebruik de steeksleutel om het pedaal goed vast te draaien.



Klik om onze ondersteunende YouTube-video te bekijken  
<https://youtu.be/3BiN9mc5Tmw?t=101>

### **!! LET OP**

- Bewaar, nadat u het apparaat in elkaar hebt gezet, het gereedschap dat bij dit product is geleverd. Dit met het oog op service op een later tijdstip.

### **Aanvullende informatie**

#### **Afvoeren van verpakkingsmateriaal**

Overheids-richtlijnen geven aan dat we de hoeveelheid afvalmateriaal afgevoerd naar stortplaatsen moeten verminderen. Daarom vragen we u al het afvalmateriaal op verantwoordelijke wijze af te voeren naar openbare recycling-centra.

## Verwijdering aan het eind van de levensduur.

We hopen dat u jarenlang plezier hebt van uw fitnessapparaat. Er komt echter een moment waarop het fitnessapparaat het eind van de bruikbare levensduur heeft bereikt. Onder de Europese AEEA-wetgeving bent u verantwoordelijk voor het op de juiste wijze afvoeren van uw fitnessapparaat naar een erkend openbaar inzamelpunt.

## Vrije trainingsruimte (Fig. D-0)

### Voorkant van het apparaat

Zorg voor minstens 30 cm vrije ruimte vóór het apparaat.

- Deze vrije trainingsruimte kan worden gedeeld met andere, soortgelijke apparaten wanneer beide tegenover elkaar staan.

### Zijkant van het apparaat

Zorg voor minstens 60 cm vrije ruimte aan elke zijkant van het apparaat

- Deze vrije trainingsruimte kan worden gedeeld met andere, soortgelijke apparaten wanneer beide tegenover elkaar staan.

### Achterkant van het apparaat

Zorg voor minstens 200 cm vrije ruimte achter het apparaat

- Deze vrije trainingsruimte kan niet worden gedeeld met andere, soortgelijke apparaten; de extra vrije ruimte die nodig is hangt af van de oriëntatie van beide apparaten en moet de som van beide waarden zijn.

## Trainingen

De training moet licht genoeg zijn, maar wel langdurig.

Aerobische training is gebaseerd op verbetering van de maximale zuurstofopname van het lichaam, die dan het uithoudingsvermogen en de conditie weer verbetert. U moet tijdens de training wel transpireren, maar u mag niet buiten adem raken.

Voor het bereiken en in stand houden van een basisconditie moet u minstens drie keer per week steeds 30 minuten trainen. Verhoog het aantal trainingssessies ter verbetering van uw conditie. Het is de moeite waard om regelmatige lichaamsbeweging met gezonde voeding te combineren. Iemand die zich goed aan een dieet houdt, zou elke dag moeten trainen te beginnen met 30 minuten of korter, en de dagelijkse trainingsduur geleidelijk opvoeren tot één uur. Begin uw training bij een lage snelheid en een lage weerstand om te voorkomen dat uw hart en bloedvaten te sterk belast worden. Naarmate uw conditie verbetert, kunnen snelheid en weerstand geleidelijk worden verhoogd. De doelmatigheid van uw training kan worden gemeten door uw hartslag.

## Instructies

Het gebruik van dit fitness apparaat biedt meerdere voordelen: u verbetert uw fysieke conditie, u versterkt uw spieren en u valt in combinatie met een caloriearm dieet af.

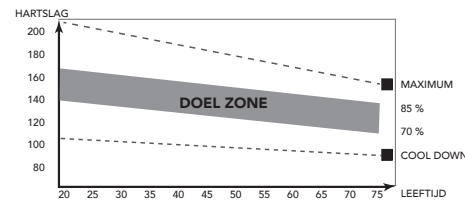
### De warming-up

In deze fase wordt uw bloedsomloop gestimuleerd voor een juiste werking van de spieren. Tevens wordt het risico op kramp en spierletsel verminderd. Wij raden u aan enkele stretch oefeningen te doen, zoals hieronder beschreven. Houd elke stretch oefening ongeveer 30 seconden vol. Forceer uw spieren niet bij het stretchen. STOP als het pijn doet

### De training fase

Dit is de fase waarin u de meeste inspanning levert. Na regelmatig gebruik worden de spieren in uw benen flexibeler. Het is in deze fase zeer belangrijk dat u een gelijkmatig tempo aanhoudt.

De snelheid moet voldoende zijn om uw hartslag te laten stijgen naar de doel zone die in de onderstaande grafiek te zien is.



Deze fase moet minimaal 12 minuten duren, maar de meeste mensen beginnen met ongeveer 15-20 minuten.

### De cooling down

In deze fase ontspant u uw cardiovasculaire systeem en spieren. Dit is een herhaling van de warming-uptraining. Verlaag dus uw tempo en ga ongeveer 5 minuten door. Herhaal nu de stretch-oefeningen.

Forceer uw spieren niet tijdens het stretchen.

Naarmate u fitter wordt, moet u langer en harder trainen. Het is raadzaam minstens drie keer per week te trainen en zo nodig uw oefeningen gelijkmatig over de week te verspreiden.

### Spierversteviging

Als u uw spieren wilt verstevigen met behulp van dit fitnessapparaat, stelt u de weerstand in op hoog. Zo komt er meer spanning op uw beenspieren. Mogelijk kunt u niet zo lang trainen als u zou willen. Als u ook uw conditie wilt verbeteren, moet u het trainingsprogramma aanpassen. Tijdens de warming-up en cooling-down traint u zoals normaal, maar tegen het eind van de trainingsfase verhoogt u de weerstand zodat uw benen harder moeten werken. Verlaag hierbij de snelheid zodat uw hartslag in de doelzone blijft.

### Gewichtverlies

Hierbij is het van belang hoeveel inspanning u levert. Hoe harder en langer u werkt, hoe meer calorieën u verbrandt. In feite is dit hetzelfde als wanneer u zou trainen om uw conditie te verbeteren. Het doel is alleen anders.

## Hartslag

### Hartslagmeting (hartslag-borstband)

#### !! LET OP

- Een hartslag-borstband is niet standaard bij deze trainer mee geleverd. Als u een hartslag-borstband wilt gebruiken, zult u deze als accessoire moeten aanschaffen.

De meest nauwkeurige hartslagmeting wordt bereikt met een hartslag-borstband. De hartslag wordt gemeten met een hartslagontvanger in combinatie met een band die de hartslag verzendt. Voor een nauwkeurige hartslagmeting moeten de elektroden op de borstband enigszins vochtig zijn en de huid constant aanraken. Bij te droge of te natte elektroden kan de hartslagmeting minder nauwkeurig worden.

#### ⚠ WAARSCHUWING

- Als u een pacemaker hebt, moet u het eerst met uw dokter bespreken voordat u een hartslag-borstband gebruikt.

#### ⚠ VOORZICHTIG

- Als er verscheidene hartslagmeetapparaten naast elkaar staan, zorg er dan voor dat de tussenafstand minstens 2 meter is.
- Als er slechts één hartslagontvanger en verscheidene hartslagzenders zijn, zorg dan dat er slechts één persoon met een zender in het zendbereik is.

## !! LET OP

- Draag de hartslag-borstband altijd onder uw kleding, direct op uw huid. Draag de hartslag-borstband niet boven uw kleding. Als u de hartslag-borstband boven uw kleding draagt, zal er geen signaal komen.
- Als u een hartslaglimiet hebt ingesteld voor uw training, klinkt er een alarm wanneer deze wordt overschreden.
- De zender verzendt de hartslag naar de console tot over een afstand van 1,5 meter. Als de elektroden niet vochtig zijn, verschijnt de hartslag niet op de display.
- Sommige vezels in kleding (bijv. polyester, polyamide) produceren statische elektriciteit die een nauwkeurige hartslagmeting kan hinderen.
- Mobiele telefoons, televisies en andere elektrische apparaten creëren een elektromagnetisch veld dat een nauwkeurige hartslagmeting kan hinderen.

### Maximale hartslag (tijdens de training)

De maximale hartslag is de hoogste hartslag die iemand veilig kan bereiken door de belasting van de training. De volgende formule wordt gebruikt voor het berekenen van de gemiddelde maximale hartslag: 220 - LEEFTIJD. De maximale hartslag varieert van persoon tot persoon.

### ⚠ WAARSCHUWING

- Zorg ervoor dat u tijdens uw training niet boven uw maximale hartslag komt. Als u bij een risicogroep hoort, moet u een arts raadplegen.

### Beginner

#### 50-60% van de maximale hartslag

Geschikt voor beginners, mensen die willen afvallen, herstellende patiënten en personen die lange tijd niet getraind hebben. Train minstens drie keer per week, 30 minuten per keer.

### Gevorderd

#### 60-70% van de maximale hartslag

Geschikt voor personen die hun conditie willen verbeteren en in stand houden. Train minstens drie keer per week, 30 minuten per keer.

### Expert

#### 70-80% van de maximale hartslag

Geschikt voor de fitste personen die gewend zijn aan langdurige duurtraining.

## Gebruik

### Afstellen van de steunvoeten

De apparatuur is uitgerust met verstelbare steunvoeten. Als de apparatuur onstabiel aanvoelt, wiebelt, of niet goed waterpas staat, kan dit worden gecorrigeerd door de steunvoeten af te stellen.

- Draai de steunvoeten naar wens naar binnen of naar buiten om de apparatuur in een stabiele en zo vlak mogelijke stand te zetten.
- Draai de borgmoeren\* vast om de steunvoeten te vergrendelen.

## !! OPMERKING

- De apparatuur is het meest stabiel wanneer deze zo laag mogelijk bij de grond staat. Begin daarom met het waterpas zetten van de uitrusting door alle steunvoeten volledig naar binnen te draaien, alvorens de vereiste steunvoeten naar buiten te draaien om de uitrusting te stabiliseren en waterpas te zetten.



Klik om onze ondersteunende YouTube-video te bekijken  
<https://youtu.be/3BiN9mc5Tmw?t=535>

### Stroom voeding

De trainer werkt op stroom van een extern voedingsnet. Op de illustratie wordt de plaats van de aansluiting op de trainer weergegeven. (Fig. E-1)

## !! LET OP

- Sluit de adapter eerst aan op de trainer voordat u deze aansluit op de wandcontactdoos.
- Verwijder altijd de stroomkabel wanneer de trainer niet in gebruik is.

### Het zadel horizontaal verstellen

U kunt de horizontale zitpositie aanpassen door het zadel op de juiste hoogte te stellen. (Afb. E-2)

- Maak de zadelrail los door de snelspanhendel rechtsom te draaien.
- Zet het zadel in de gewenste positie.
- Zet de zadelrail vast door de snelspanhendel rechtsom te draaien.

## !! OPMERKING

- De snelspanhendel werkt met een veer. Om de hendelpositie opnieuw in te stellen kunt u de hendel naar beneden trekken, opnieuw positioneren en weer loslaten.

### Afstellen van de verticale zadelpositie

De verticale zadelpositie kan worden afgesteld door de zadelpen in de gewenste positie te zetten. (Fig. E-2)

Met een bijna gestrekt been moet de boog van de voet het pedaal op zijn laagste punt raken.

- Draai de stelknop voor de zadelpen los.
- Zet de zadelpen in de gewenste positie.
- Draai de stelknop voor de zadelpen vast.

### Het stuur horizontaal verstellen

De horizontale positie van het stuur kan worden aangepast door het in de gewenste positie – verder van de gebruiker af of juist dichterbij – te stellen. (Afb. E-2)

- Maak het stuurbevestigingsframe los door de snelspanhendel rechtsom te draaien.
- Stel het stuurbevestigingsframe op de gewenste positie.
- Zet het stuurbevestigingsframe vast door de snelspanhendel in rechtssom te draaien.

## !! OPMERKING

- De snelspanhendel werkt met een veer. Om de hendelpositie opnieuw in te stellen kunt u de hendel naar beneden trekken, opnieuw positioneren en weer loslaten.

### Het stuur in hoogte verstellen

De hoogte van het stuur kan worden aangepast aan de lichaamslengte van de gebruiker voor de optimale hoogte en trainingshouding. (Fig. E-2)

- Houd het stuur vast terwijl u de stuurstelknop losdraait, draai de knop los door deze tweemaal linksom helemaal rond te draaien en trek de geveerde knop naar buiten.
- Houd de geveerde knop uitgetrokken en zet het stuur in de gewenste stand.
- Hebt u de gewenste hoogte gevonden, laat dan de geveerde knop weer los en beweeg de stuurstang iets omhoog/omlaag om ervoor te zorgen dat de geveerde knop goed vast komt te zitten.
- Draai de stuurstelknop stevig vast door hem rechtssom te draaien.

## Noodstopknop (Afb. G)

Om de noodrem te activeren, drukt u de remspanningshendel krachtig helemaal naar beneden.

## Gebruik van de twee functies van de pedalen

Klampen aan uw schoenen bevestigen:

Als u vragen heeft, kunt u het beste een rijwielhandelaar om advies vragen of de instructies van de schoenenfabrikant raadplegen. Bij bevestiging van de klamp moet de laterale middenlijn zich onder het midden van de bal van de voet bevinden. Via de sleuven in de schoenzool kunt u de klamp verder naar voren of achteren schuiven. De aanpassing aan de zijkanten vindt plaats via de speling tussen de klampring en de klamp. Maak de klampen zeer stevig vast. De positie van de klampen kan nog verder worden verfijnd, op basis van uw persoonlijke voorkeur, na proefgebruik. Het kan enige tijd kosten voordat u de optimale positie van de klampen heeft gevonden.

### Toe-Clips:

Alle standaard toe clips kunnen bevestigd worden aan de pedalen. Gebruik passend gereedschap en de montage handleiding welke met uw Toe Clips mee geleverd is. Zorg dat de Toe-Clips stevig vast zitten voor u deze in gebruik neemt.

### Het gebruik van de pedalen:

Zet de schoenen met klampen in de pedalen door de klampen tussen de bindingen te plaatsen en omlaag te drukken. Maak de schoenen los van de pedalen door de hiel buitenwaarts te draaien, van de fiets weg.

De spanning van de bindingen is instelbaar en moet zodanig worden ingesteld dat de klampen en de schoenen niet loskomen tijdens het trappen. Gebruik een inbussleutel om de spanning aan te passen: met de wijzers van de klok mee om de spanning van de binding te verhogen, tegen de wijzers van de klok in om de spanning van de binding te verlagen.

## Console



1. Display
2. Steun voor tablet/boek
3. Knoppen

### VOORZICHTIG

- Houd de console uit de buurt van direct zonlicht.
- Droog het oppervlak van de console wanneer het met zweetdruppels is bedekt.
- Leun niet op de console.
- Raak de display alleen met uw vingertop aan. Raak de display niet aan met uw nagels of een scherp voorwerp.

### LET OP

- De console gaat naar standby wanneer het toestel gedurende 4 minuten niet wordt gebruikt.

## Display functies

### Time scherm :

- Wanneer u geen doelwaarde instelt, wordt de tijd opgeteld.
- Wanneer u wel een doelwaarde instelt, wordt de tijd terug geteld vanaf de doelwaarde. Zodra het aantal op 0 komt, hoort u een alarm of gaat het display knipperen. De tijd wordt verder opgeteld als u niet stopt met trainen nadat het doel is bereikt.
- Bereik: 0:00 ~ 99.59

### Speed scherm :

- Geeft de snelheid weer tijdens training.
- Range: 0 ~ 999.

### RPM scherm :

- Geeft de rotaties per minuut weer tijdens training.
- Bereik: 0 ~ 999.

### Pulse

- Wanneer uw hartslag door de console wordt geregistreerd, ziet u na 6 seconden uw huidige hartslag.
- Wanneer gedurende 6 seconden geen hartslagsignaal wordt geregistreerd, wordt 'P' weergegeven.
- U hoort een hartslagalarm als uw huidige hartslag de ingestelde hartslag overschrijdt.
- Bereik: 0-30 ~ 230 BPM.

### Watt

- Weergave van de huidige workout watt.
- Bereik 0 ~ 999

### Distance (Afstand)

- Wanneer u geen doelwaarde instelt, wordt de afstand opgeteld.
- Wanneer u wel een doelwaarde instelt, wordt de afstand terug geteld vanaf de doelwaarde. Zodra het aantal op 0 komt, hoort u een alarm of gaat het display knipperen. De afstand wordt verder opgeteld als u niet stopt met trainen nadat het doel is bereikt.
- Bereik: 0.00 ~ 99.99 KM.

### Load

- Toont de instelling van het weerstand nivo bij het verstellen van de weerstand voor de duur van 3 seconden.
- Bereik: 1 ~ 32

### Calories

- Wanneer u geen doelwaarde instelt, wordt het aantal verbruikte calorieën opgeteld.
- Wanneer u wel een doelwaarde instelt, wordt het aantal calorieën terug geteld vanaf de doelwaarde. Zodra het aantal op 0 komt, hoort u een alarm of gaat het display knipperen. Het aantal calorieën wordt verder geteld als u niet stopt met trainen nadat het doel is bereikt.
- Bereik: 0 ~ 9999 K.Calories.

### LET OP

- Deze gegevens zijn een richtlijn voor de vergelijking van verschillende trainingssessies en kunnen niet voor medische behandelingen worden gebruikt.

## Toets functies

### **Recovery**

- Test de hartslag herstelstatus.

### **Down**

- Verlaag de weerstandswaarde tijdens training.
- In keuzemenu's kiest u hiermee een lagere waarde.

### **Mode**

- Hiermee bevestigt u uw keuze/selectie.

### **Up**

- Verhoog de weerstandswaarde tijdens training.
- In keuzemenu's kiest u hiermee een hogere waarde.

### **Reset**

- Druk in de modus Instellingen eenmaal op de toets RESET om de huidige functiegetallen te resetten.
- Houd RESET 2 seconden ingedrukt om alle functiegetallen te resetten

### **Start/ Stop**

- Start de training wanneer trainer in ruststand is.
- Stopt/ pauzeert de training wanneer trainer actief is.

## Bediening

### **Inschakelen**

- Steek de stekker in het stopcontact.  
De computer start op en toont gedurende 2 seconden alle onderdelen op het LCD-scherm.
- Wanneer het apparaat zich in de slaapmodus bevindt, drukt u op een willekeurige toets op de console om het apparaat in te schakelen.
- U kunt ook gaan fietsen om het apparaat te activeren.

### **Uitschakelen**

- Wanneer gedurende 4 minuten geen signaal naar de monitor wordt verzonden, schakelt het apparaat automatisch naar de slaapmodus.
- Plug de transformator uit om de console uit te schakelen.

## Programma's

### Snelle start

- Druk op Start/ Stop om de training te beginnen zonder voorgeprogrammeerde instellingen.
- Met de keuzeknop Up/ Down kunt u het weerstandsniveau aanpassen tijdens de training.

### Training beëindigen

- Druk op Start/ Stop in de trainingsmodus om de training te stoppen of te pauzeren.  
Als u de training wilt hervatten, drukt u op Start/ Stop in de pauzmodus.
- Druk op Reset (in de pauzmodus) om alle trainingsgegevens opnieuw in te stellen.
- Houd Reset 2 seconden ingedrukt om de console opnieuw in te stellen. (Gegevens van de actieve training gaan dan verloren)

## Manueel mode

- Druk Up/ Down toets om een trainingsprogramma te selecteren, kies Manual mode en druk de Mode toets om in het instelling menu te komen.
- Druk de Up/ Down toets om de trainingstijd in te stellen en druk de Mode toets om te bevestigen.

### **!! LET OP**

- Na bevestiging kunt u ook de Distance, Calories, & Pulse instellen.
  - Wanneer u meer dan één streefwaarde instelt zal de training stoppen zodra er één streefwaarde bereikt is.
  - Laat streef waardes blanco zodat deze niet gezien worden als ingesteld doel.
- Druk Start/ Stop toets om de training te starten.
  - Druk Up/ Down toetsen om de weerstand aan te passen.
  - Druk Start/ Stop toets om de training te pauzeren.
  - Druk op de Reset toets om terug te keren naar het hoofdmenu (data van de actieve training zullen vergeten worden).

## Beginner Mode

- Druk Up/ Down toets om een trainingsprogramma te selecteren, kies voor beginner mode en druk de Mode toets om in het instelling menu te komen.
  - Er kunnen 4 beginner programma's geselecteerd worden: Beginner 1 ~ 4. Selecteer één door middel van de Up/ Down toetsen en bevestig de keuze met de Mode toets.
  - Druk de Up/ Down toets om de trainingstijd in te stellen.
- Druk Start/ Stop toets om de training te starten.
  - Druk Up/ Down toetsen om de weerstand aan te passen.
  - Druk Start/ Stop toets om de training te pauzeren.
  - Druk op de Reset toets om terug te keren naar het hoofdmenu (data van de actieve training zullen vergeten worden).

## Advance Mode

- Druk Up/ Down toets om een trainingsprogramma te selecteren, kies voor Advance mode en druk de Mode toets om in het instelling menu te komen.
  - Er kunnen 4 Advance programma's geselecteerd worden: Advance 1 ~ 4. Selecteer één door middel van de Up/ Down toetsen en bevestig de keuze met de Mode toets.
  - Druk de Up/ Down toets om de trainingstijd in te stellen.
- Druk Start/ Stop toets om de training te starten.
  - Druk Up/ Down toetsen om de weerstand aan te passen.
  - Druk Start/ Stop toets om de training te pauzeren.
  - Druk op de Reset toets om terug te keren naar het hoofdmenu (data van de actieve training zullen vergeten worden).

## Sporty Modus

- Druk Up/ Down toets om een trainingsprogramma te selecteren, kies voor Sporty mode en druk de Mode toets om in het instelling menu te komen.
  - Er kunnen 4 Sporty programma's geselecteerd worden: Sporty 1 ~ 4. Selecteer één door middel van de Up/ Down toetsen en bevestig de keuze met de Mode toets.
  - Druk de Up/ Down toets om de trainingstijd in te stellen.
- Druk Start/ Stop toets om de training te starten.
  - Druk Up/ Down toetsen om de weerstand aan te passen.

- Druk Start/ Stop toets om de training te pauzeren.
- Druk op de Reset toets om terug te keren naar het hoofdmenu (data van de actieve training zullen vergeten worden).

### Cardio Modus

- Druk Up/ Down toets om een trainingsprogramma te selecteren, kies voor Cardio mode en druk de Mode toets om in het instelling menu te komen.
- Druk de Up/ Down toets om de leeftijd in te stellen en druk de Mode toets om te bevestigen
- Er kunnen 4 cardio programma's geselecteerd worden:  
55% ( van maximum HR = 220 - leeftijd x55% )  
75% ( van maximum HR = 220 - leeftijd x75% )  
90% ( van maximum HR = 220 - leeftijd x90% )  
TAG (Target Heart Rate, standaard ingesteld op 100, gebruik de Up/ Down toetsen om te wijzigen en bevestig met de Mode key).  
Selecteer één programma door middel van Up/ Down toetsen en bevestig door de Mode toets te drukken.
- Druk Start/ Stop toets om de training te starten.
- Druk Start/ Stop toets om de training te pauzeren.
- Druk op de Reset toets om terug te keren naar het hoofdmenu (data van de actieve training zullen vergeten worden).

#### **!! LET OP**

- In de cardiomodus wordt de spanning automatisch aangepast aan een ongevoeligheid wanneer uw hartslag het voorgeprogrammeerde HRC-doel bereikt.
- Wanneer er 6 seconden geen hartslag gemeten wordt zal de display "Pulse Input" tonen om de gebruiker te waarschuwen.

### Modus Watt

- Druk Up/ Down toets om een trainingsprogramma te selecteren, kies voor Watt mode en druk de Mode toets om in het instelling menu te komen.
- Stel met Up/ Down het doel in.  
120 is de voorgeprogrammeerde standaardwaarde Bereik: 10 - 350.  
Druk op Mode om uw keuze te bevestigen.
- Druk Up/ Down toetsen om de trainingstijd in te stellen  
Druk Mode toets om te bevestigen.
- Druk Start/ Stop toets om de training te starten.
- Druk Up/ Down toetsen om de weerstand (Watt) aan te passen.
- Druk Start/ Stop toets om de training te pauzeren.
- Druk op de Reset toets om terug te keren naar het hoofdmenu (data van de actieve training zullen vergeten worden).

In de wattmodus wordt de weerstand automatisch aangepast tot een nivo waarbij het wattage het voorgeprogrammeerde watt-doel bereikt.

#### **!! OPMERKING**

- De wattparameter is een berekening van RPM (rotaties per minuut) en het weerstandsniveau.  
Wanneer RPM hoger is, is de weerstand lager.  
Wanneer RPM lager is, is de weerstand hoger.

### Recovery

- De toets Recovery werkt alleen als een hartslag wordt geregistreerd.
- Bij Time wordt '0:60' (seconden) weergegeven; er wordt terug geteld naar 0.

- Na het aftellen om de status van het hartslag herstel te testen, wordt op de computer F1 tot en met F6 weergegeven.  
De gebruiker kan het hartslag herstel niveau vinden in de onderstaande tabel.
- Druk opnieuw op de toets Recovery om terug te keren naar het begin.

### **Interpretatie van het testresultaat.**

Het resultaat is gebaseerd op de conditie van uw hartslag. Als u actief bent, stijgt uw hartslag in slagen per minuut (bpm.).

Wanneer u uw training beëindigt, stabiliseert uw hartslag zich weer tot het normale niveau. Hoe sneller uw hartslag zich stabiliseert, hoe beter de conditie van uw hart.

Wanneer uw hartslag met minimaal 50 slagen per testminuut daalt, dan is uw resultaat F1.

Wanneer uw hartslag tijdens de testminuut tussen de 41~50 slagen per testminuut daalt, dan is uw resultaat F2.

Enzovoort.

F1	Uitmuntend	50+ bpm.
F2	Uitstekend	41 ~ 50 bpm.
F3	Goed	31~ 40 bpm.
F4	Redelijk	21 ~ 30 bpm.
F5	Ondermaats	11 ~ 20 bpm.
F6	Slecht	0 ~ 10 bpm.

#### **!! OPMERKING**

- Als uw hartslag tijdens de testminuut is gestegen, dan wordt ook F6 weergegeven.
- Wanneer u de modus recovery activeert, wordt de training gepauzeerd.
- Druk op Start/ Stop om de training te hervatten als u de modus Recovery verlaat, of druk op Reset om terug te keren naar het start menu.

### Bluetooth & APP

- U kunt deze console via Bluetooth verbinden met een App op uw smart-apparaat. (iOS & Android)
- Breng de Bluetooth-verbinding alleen tot stand via de verbindingmodus op de geïnstalleerde APP op uw smart-apparaat.
- Wanneer de Bluetooth-verbinding tussen APP en console tot stand is gebracht, wordt het display van de console grijs weergegeven alsof deze zich in de standby-modus bevindt.

#### **!! LET OP**

- Tunturi biedt uitsluitend de mogelijkheid om uw fitnessconsole via een bluetooth-verbinding aan een smart-apparaat te koppelen. Tunturi kan daarom niet aansprakelijk worden gesteld voor schade of gebreken aan producten die niet door Tunturi worden geproduceerd.
- Raadpleeg de website voor extra informatie.

Deze console kan een Bluetooth-hartslagzender ontvangen. Het is niet nodig om het apparaat te koppelen, omdat de console de hartslagzender automatisch detecteert wanneer deze binnen bereik is.

## Reiniging en onderhoud

---

Het toestel vereist geen speciaal onderhoud. Het toestel behoeft geen kalibratie wanneer het wordt geassembleerd, gebruikt en onderhouden overeenkomstig de instructies.

### WAARSCHUWING

- Verwijder voor reiniging of onderhoud de adapter.
  - Gebruik geen oplosmiddelen om het toestel te reinigen.
  - Reiniging en gebruikersonderhoud mag niet door kinderen worden uitgevoerd zonder toezicht.
- Reinig het toestel na elk gebruik met een zachte absorberende doek.
- Controleer regelmatig of alle schroeven en moeren goed vast zitten.
- Smeer indien nodig de draaipunten.

## Defecten en storingen

Ondanks voortdurende kwaliteitscontrole kan het gebeuren dat het toestel door individuele onderdelen defect is of niet goed werkt. In de meeste gevallen zal het voldoende zijn om het defecte onderdeel te vervangen.

- Als het toestel niet goed werkt, neem dan onmiddellijk contact op met de dealer.
- Geef het modelnummer en serienummer van het toestel op aan de dealer. Vertel wat de aard van het probleem is, hoe het toestel wordt gebruikt en wanneer u het toestel heeft gekocht.

## Problemen oplossen

- Wanneer het LCD-display wordt gedimd, moeten de batterijen worden vervangen.
- Als er geen signaal is wanneer u fietst, controleer dan of de kabel goed is aangesloten.

### LET OP

- Wanneer u gedurende 4 minuten stopt met de training, wordt het hoofdscherm uitgeschakeld.
- Wanneer de computerweergave niet normaal is, installeert u de batterijen opnieuw en probeert u het nogmaals.

## Wankel of onstabiel gevoel tijdens gebruik

Als de machine tijdens bedrijf onstabiel of onstabiel aanvoelt, is het raadzaam om de steunvoeten aan te passen om het frame op de juiste hoogte te brengen. Lees de instructies in deze handleiding in sectie: "Gebruik"

## Transport en opslag

---

### WAARSCHUWING

- Draag en verplaats het toestel met minstens twee personen.
- Blijf aan weerskanten aan de voorkant van het toestel staan en pak de handgrepen stevig vast. Til de voorkant van het toestel op zodat de achterkant van het toestel op de wielen komt te rusten. Verplaats het toestel en zet het voorzichtig neer. Zorg voor een beschermende laag onder het toestel om schade aan het vloeroppervlak te voorkomen.
- Verplaats het toestel voorzichtig over een ongelijke ondergrond. Breng het toestel niet met behulp van de wielen naar boven, maar draag het toestel bij de handgrepen.
- Berg het toestel op een droge plaats op met zo weinig mogelijk temperatuurwisselingen.

## Garantie

---

### Garantie voor eigenaars van Tunturi trainingsapparatuur

#### Garantievoorwaarden

De consument heeft recht op de geldende wettelijke rechten met betrekking tot de handel in consumptiegoederen die worden vermeld in de nationale wet- en regelgeving. Deze garantie zal deze rechten niet beperken. De garantie voor de eigenaar geldt alleen wanneer het apparaat wordt gebruikt in een door Tunturi New Fitness BV voor dat specifieke apparaat toegestane omgeving en wordt onderhouden volgens de aanwijzingen. De goedgekeurde omgeving en onderhoudsinstructies voor het product staan vermeld in de "gebruikershandleiding" van het product. De "gebruikershandleiding" kan worden gedownload van onze website. <http://manuals.tunturi.com>

#### Garantievoorwaarden

De garantievoorwaarden gaan in vanaf de datum van aankoop. Deze kunnen per land verschillen. Vraag in de winkel bij u in de buurt naar de garantievoorwaarden.

#### Garantiedekking

In geen enkele omstandigheid zal Tunturi New Fitness BV of een wederverkoper van Tunturi aansprakelijk zijn voor eventuele indirecte schade geleden door de koper, zoals verlies van gebruiksruimte of inkomstenderving of andere indirecte economische gevolgen.

#### Garantiebeperkingen

De garantie dekt defecten van het toestel die het gevolg zijn van materiaalfouten of onjuist uitgevoerd werk, mits het toestel zijn originele samenstelling heeft. De garantie betreft alleen defecten die blijken tijdens normaal gebruik overeenkomstig de meegeleverde gebruiksaanwijzing, mits de montage-, onderhouds- en gebruiksaanwijzingen van Tunturi zijn opgevolgd. Tunturi New Fitness BV en zijn wederverkopers zijn niet aansprakelijk voor defecten tengevolge van factoren waarop zij geen invloed kunnen uitoefenen. De garantie betreft alleen de eerste eigenaar van het toestel en is alleen geldig in landen waar een geautoriseerde importeur van Tunturi New Fitness BV is gevestigd. De garantie betreft geen trainingstoestellen of onderdelen die zijn gewijzigd zonder toestemming van Tunturi New Fitness BV. De garantie dekt geen defecten tengevolge van normale slijtage, onjuist gebruik, gebruik in omstandigheden waarvoor het toestel niet is bedoeld, corrosie of schade ontstaan tijdens laden of transport.

De garantie geldt niet voor geluiden die ontstaan door het gebruik, als ze het gebruik van het apparaat niet wezenlijk belemmeren en niet veroorzaakt zijn door een defect aan het apparaat.

De garantie omvat ook geen onderhoudsmaatregelen, zoals reiniging, smering of normale inspectie van onderdelen, noch dergelijke montagewerkzaamheden die de klant zelf kan uitvoeren en die geen speciale demontage en montage van het toestel vereisen. Dit soort maatregelen zijn bijv. vervanging van monitoren, pedalen of andere vergelijkbare eenvoudige onderdelen. Garantieherstel dat is uitgevoerd door een ander dan de geautoriseerde Tunturi-vertegenwoordiger wordt niet vergoed. De garantie geldt alleen voor normaal, voorgeschreven gebruik van het product zoals beschreven in de handleiding.

## Technische gegevens

Parameter	Meeteenheid	Waarde
Lengte	cm	156.0
	inch	61.4
Breedte	cm	59.0
	inch	23.2
Hoogte	cm	142.0
	inch	55.9
Gewicht	kg	53.2
	lbs	117.3
Max. gewicht gebruiker	kg	180
	lbs	397
Uitgangsspecificaties van de transformator	Voltage	9V-DC
	Ampère	2.0 A
Hartslagmeting beschikbaar via:	Handgreep contact	Ja
	5.0 Khz	Nee
	5.3 Khz.	Nee
	Bluetooth (BLE)	Ja
	ANT+	Nee

### !! OPMERKING

- Zie illustratie H voor de productafmetingen en functionele afmetingen.

## Verklaring van de fabrikant

Tunturi New Fitness BV verklaart dat de Platinum S20 Fiets trainer voldoet aan de volgende normen en richtlijnen:

- RoHS-richtlijn (2011/65/EU)
- Algemene Productveiligheidsverordening (APV) – (EU) 2023/988

Hierbij verklaart Tunturi New Fitness BV dat het radioapparatuurtype Platinum S20 Fiets trainer voldoet aan de Richtlijn 2014/53/EU.

De conformiteitsverklaring met alle normen en richtlijnen kan worden gedownload op onze website: <https://doc.tunturi.com>

Tunturi New Fitness BV  
Purmerweg 1  
1311 XE Almere  
Nederland

## Disclaimer

© 2025 Tunturi New Fitness BV  
Alle rechten voorbehouden.

- Het product en de handleiding zijn aan veranderingen onderhevig.
- Specificaties kunnen zonder verdere kennisgeving worden veranderd.
- Raadpleeg onze website voor de meest recente versie van de gebruikershandleiding.

## Italiano

Questo manuale in lingua italiana è una traduzione dalla versione originale del manuale in lingua inglese.

Non si possono trarre diritti di traduzione dalla presente traduzione.

## Indice

<b>Benvenuti .....</b>	<b>50</b>
<b>Precauzioni di sicurezza.....</b>	<b>50</b>
Sicurezza elettrica.....	51
<b>Istruzioni di montaggio.....</b>	<b>51</b>
Illustrazione di descrizione A.....	51
Illustrazione di descrizione B.....	51
Illustrazione di descrizione C.....	51
Illustrazione di descrizione D.....	51
Informazioni aggiuntive sull'assemblaggio .....	51
Informazioni aggiuntive.....	51
Zona di allenamento libera (Fig. D-0).....	52
<b>Allenamenti.....</b>	<b>52</b>
Istruzioni per l'esercizio .....	52
Frequenza cardiaca .....	52
<b>Utilizzo.....</b>	<b>53</b>
Regolazione dei piedini di appoggio.....	53
Alimentazione .....	53
Regolazione della posizione orizzontale del sedile.....	53
Regolazione della posizione verticale del sedile.....	53
Regolazione della posizione orizzontale del manubrio.....	53
Regolazione dell'altezza del manubrio .....	54
Manopola del freno di emergenza (Fig. G).....	54
Come usare il nostro pedale a doppia funzione).....	54
<b>Console.....</b>	<b>54</b>
Spiegazione delle funzioni di visualizzazione .....	54
Spiegazione dei pulsanti .....	55
Utilizzo.....	55
<b>Programmi.....</b>	<b>55</b>
Avvio rapido.....	55
Terminare l'allenamento.....	55
Modalità manuale .....	55
Modalità Beginner (Principianti) .....	55
Advance (Modo avance).....	56
Modalità Sporty.....	56
Modalità cardio .....	56
Modalità Watt.....	56
Recovery (Recupero) .....	56
Bluetooth & APP .....	57
<b>Pulizia e manutenzione .....</b>	<b>57</b>
<b>Difetti e malfunzionamenti .....</b>	<b>57</b>
<b>Trasporto e stoccaggio .....</b>	<b>57</b>
<b>Garanzia.....</b>	<b>57</b>
<b>Dati tecnici.....</b>	<b>58</b>
<b>Dichiarazione del fabbricante.....</b>	<b>58</b>
<b>Clausola di esonero della responsabilità.....</b>	<b>58</b>

## Benvenuti

Benvenuti nel mondo di Tunturi Fitness!

Grazie per aver acquistato questo apparecchio Tunturi. Tunturi offre un'ampia gamma di apparecchi per fitness professionale, fra cui crosstrainer, tapis roulant, cyclette, vogatori, panche di forza e multi stazioni. Questo apparecchio Tunturi è adatto per tutta la famiglia, a prescindere dal livello di forma fisica. Per ulteriori informazioni, visitare il sito Web [www.tunturi.com](http://www.tunturi.com)

### Importanti istruzioni di sicurezza

Questo libretto di istruzioni è una parte essenziale della tua attrezzatura da ginnastica. Leggi con attenzione quanto scritto in questa guida, prima del montaggio dei pezzi e prima di fare uso dell'attrezzo o di effettuare qualunque manutenzione. Ti raccomandiamo pure di conservare la presente guida in un luogo sicuro e a portata di mano; essa ti fornirà, adesso e nel futuro, tutte le istruzioni necessarie all'uso e alla manutenzione della tua attrezzatura da ginnastica. Tali istruzioni devi seguirle sempre con molta attenzione!

## Precauzioni di sicurezza

### ⚠ ATTENZIONE

- Leggere le precauzioni di sicurezza e le istruzioni. La mancata osservanza delle precauzioni di sicurezza e delle istruzioni può causare lesioni personali o danni all'apparecchio. Conservare gli avvisi di sicurezza e le istruzioni per future consultazioni.

### ⚠ ATTENZIONE

- Il sistema di monitoraggio della frequenza cardiaca può essere impreciso. L'eccessivo esercizio può causare serie lesioni o perfino il decesso. Se si avverte spossatezza, interrompere immediatamente l'allenamento.

- L'apparecchio è adatto esclusivamente per un uso domestico, non professionale.
- Questo apparecchio può essere utilizzato da bambini di età pari o superiore a 8 anni e da persone con capacità fisiche, sensoriali o mentali ridotte o prive di esperienza e conoscenza, solo se sorvegliati o istruiti sull'uso sicuro dell'apparecchio e se comprendono i pericoli connessi.
- Sorvegliare i bambini per assicurarsi che non giochino con l'apparecchio.
- Prima di iniziare l'allenamento, consultare un medico per verificare il proprio stato di salute.
- Se si avvertono nausea, vertigini o altri sintomi anomali, interrompere immediatamente l'allenamento. Per evitare dolori muscolari e sforzi, iniziare ogni allenamento con una fase di riscaldamento e terminare ogni allenamento con una fase di defaticamento. Ricordarsi di eseguire lo stretching al termine dell'allenamento.
- L'apparecchio è adatto esclusivamente per un uso in interni. L'apparecchio non è idoneo per un uso all'aperto.
- Utilizzare l'apparecchio in un ambiente con ventilazione adeguata. Non utilizzare in ambienti esposti alle correnti d'aria per non prendere un raffreddore.
- Utilizzare l'apparecchio esclusivamente in ambienti con temperature comprese fra 10 °C e 35 °C. Conservare l'apparecchio esclusivamente in ambienti con temperature comprese fra 5°C~45°C/ 41°F~113°F.
- Non utilizzare o riporre l'apparecchio in ambienti umidi. L'umidità dell'aria non deve mai superare l'80%.
- Utilizzare l'apparecchio solo per lo scopo previsto. Non utilizzare l'apparecchio per scopi diversi da quelli descritti nel manuale.

- Non usare l'apparecchio se presenta parti danneggiate o difettose. In caso di parti danneggiate o difettose contattare il rivenditore.
- Mantenere mani, piedi e le altre parti del corpo lontani dalle parti in movimento.
- Tenere i capelli lontani dalle parti in movimento.
- Indossare indumenti e scarpe adatti.
- Mantenere abiti, gioielli e altri oggetti lontani dalle parti in movimento.
- Controllare che l'apparecchio venga utilizzato da una sola persona alla volta. L'apparecchio non deve essere utilizzato da persone di peso superiore a 180kg (397 lbs).
- Non smontare l'apparecchio senza aver consultato il rivenditore..

### **Sicurezza elettrica**

- Prima dell'uso, verificare sempre che la tensione della rete elettrica corrisponda alla tensione riportata sulla targhetta nominale dell'apparecchio.
- Non utilizzare cavi di prolunga.
- Tenere il cavo di alimentazione lontano da fonti di calore, olio e bordi affilati.
- Non alterare o modificare il cavo o la spina di alimentazione.
- Non utilizzare l'apparecchio se il cavo o la spina di alimentazione sono danneggiati o difettosi. Se il cavo o la spina di alimentazione risultano danneggiati o difettosi, contattare il rivenditore.
- Svolgere sempre completamente il cavo di alimentazione
- Non far passare il cavo di alimentazione sotto l'apparecchio. Non far passare il cavo di alimentazione sotto un tappeto. Non collocare alcun oggetto sul cavo di alimentazione.
- Verificare che il cavo di alimentazione non sporga sul bordo di un tavolo. Verificare che il cavo di alimentazione non possa rimanere accidentalmente impigliato o causare inciampanti.
- Non lasciare l'apparecchio incustodito quando la spina di alimentazione è collegata alla presa a muro.
- Non tirare il cavo di alimentazione per rimuovere la spina dalla presa a muro.
- Scollegare la spina di alimentazione dalla presa a muro quando l'apparecchio non è in uso, prima di assemblare o di smontare l'apparecchio o di qualsiasi intervento di pulizia o manutenzione.

### **⚠ AVVERTENZA**

- Non utilizzare mai acqua o altri liquidi direttamente sull'attrezzo o vicino ad esso, ma solo un panno umido se serve un po' di umidità per pulire la macchina.
- L'uso diretto di liquidi è dannoso per i componenti dell'attrezzo e può provocare una scossa elettrica causata da un cortocircuito. Ciò potrebbe causare lesioni personali gravi o addirittura la morte.
- L'apparecchio deve essere utilizzato esclusivamente con l'alimentatore fornito in dotazione.

## **Istruzioni di montaggio**

### **Illustrazione di descrizione A**

L'illustrazione mostra l'aspetto del trainer una volta completato l'assemblaggio.

È possibile utilizzarla come riferimento durante l'assemblaggio, ma è importante seguire sempre i passaggi di assemblaggio nella sequenza corretta come illustrato.

### **Illustrazione di descrizione B**

L'illustrazione mostra quali componenti e parti sono presenti al momento del disimballaggio del prodotto.

### **!! NOTA**

- Le parti di piccole dimensioni potrebbero trovarsi nascoste o infilate in spazi ristretti nella protezione del prodotto in Styrofoam

### **Illustrazione di descrizione C**

L'illustrazione mostra il kit di attrezzatura fornito con il prodotto. Il kit di attrezzatura contiene bulloni, rondelle, viti, dadi ecc. e gli strumenti necessari per installare correttamente il trainer.

### **Illustrazione di descrizione D**

Le illustrazioni mostrano di seguito l'ordine corretto con cui assemblare il trainer nel modo migliore.

### **⚠ ATTENZIONE**

- Assemblare l'apparecchio nell'ordine indicato.
- Per trasportare e spostare l'apparecchio sono necessarie almeno due persone.

### **⚠ AVVISO**

- Collocare l'apparecchio su una superficie stabile e in piano.
- Collocare l'apparecchio su una base protettiva per evitare danni alla superficie del pavimento.
- Consultare le illustrazioni per il corretto assemblaggio dell'apparecchio.

## **Informazioni aggiuntive sull'assemblaggio**

### **D5 Come installare i pedali correttamente.**

### **!! NOTA**

- I lati destro e sinistro vengono determinati dalla prospettiva delle posizioni di esercizio.

#### **Pedale destro**

Trovare la lettera "R" o "L" sull'asse del pedale

- Installare il pedale destro "R" nella pedivella destra.
- Per prima cosa, ruotare l'asse del pedale manualmente in direzione oraria.
- Utilizzare la chiave inglese per serrare completamente il pedale.

#### **Pedale sinistro**

- Installare il pedale sinistro "L" nella pedivella sinistra.
- Per prima cosa, ruotare l'asse del pedale manualmente in direzione antioraria.
- Utilizzare la chiave inglese per serrare completamente il pedale.



Cliccare per vedere il nostro video di supporto su YouTube  
<https://youtu.be/3BiN9mc5Tmw?t=101>

### **!! NOTA**

- Conservare tutti gli utensili forniti con questo prodotto, dopo aver completato il montaggio del prodotto, per eventuali necessità di assistenza in futuro.

## **Informazioni aggiuntive**

### **Smaltimento dell'imballo**

Le linee guide governative chiedono di ridurre la quantità di rifiuti smaltiti nelle discariche. Per questo vi chiediamo di smaltire in modo responsabile tutti i rifiuti d'imballo presso dei centri di riciclaggio pubblici.

## Smaltimento a fine vita

Noi di Tunturi speriamo che possiate godervi molti anni di piacevole uso dal nostro fitness trainer. Tuttavia, arriverà il momento quando il vostro fitness trainer arriverà alla fine della sua vita utile. Secondo la Legislazione Europea WEEE voi siete responsabili per uno smaltimento appropriato del vostro fitness trainer presso una struttura di raccolta pubblica autorizzata.

## Zona di allenamento libera (Fig. D-0)

### Parte anteriore dell'attrezzatura

Lasciare almeno 30 cm di spazio davanti all'apparecchiatura.

- La zona di allenamento libera per questa sezione può essere condivisa con altre attrezzature dello stesso tipo quando entrambe sono una di fronte all'altra.

### Parte laterale dell'attrezzatura.

Lasciare uno spazio libero di almeno 60 cm su ciascun lato dell'apparecchiatura.

- La zona di allenamento libera per questa sezione può essere condivisa con altre attrezzature dello stesso tipo quando entrambe sono una di fronte all'altra.

### Lato posteriore dell'attrezzatura

Lasciare uno spazio libero di almeno 200 cm dietro l'apparecchiatura.

- La zona di allenamento libera per questa sezione non può essere condivisa con altre attrezzature dello stesso tipo, lo spazio libero extra richiesto dipende dall'orientamento di entrambe le attrezzature e dovrebbe essere la somma di entrambi i valori.

## Allenamenti

L'allenamento deve essere adeguatamente leggero ma di lunga durata. L'esercizio aerobico si basa sul miglioramento del consumo massimo di ossigeno del corpo che a sua volta migliora resistenza e forma fisica. Durante l'allenamento è necessario sudare ma non arrivare all'affanno. Per raggiungere e mantenere una forma fisica di base, allenarsi almeno tre volte alla settimana, per 30 minuti alla volta. Aumentare il numero di sessioni di esercizio per migliorare il livello di forma fisica. È importante combinare l'esercizio regolare con una dieta salutare. Una persona impegnata a seguire una dieta dovrà allenarsi quotidianamente, iniziando con 30 minuti o meno e aumentando gradualmente l'allenamento giornaliero fino ad un'ora. Iniziare l'allenamento a bassa velocità e con scarsa resistenza per evitare di sottoporre a uno stress eccessivo il sistema cardiovascolare. Man mano che il livello di forma fisica aumenta, è possibile aumentare gradualmente anche velocità e resistenza. L'efficienza dell'allenamento può essere misurata monitorando la frequenza cardiaca e le pulsazioni.

### Istruzioni per l'esercizio

L'utilizzo del vostro fitness trainer vi darà diversi benefici, migliorerà la vostra forma fisica, tono muscolare e, insieme a una dieta con le calorie sotto controllo, vi aiuterà a perdere peso.

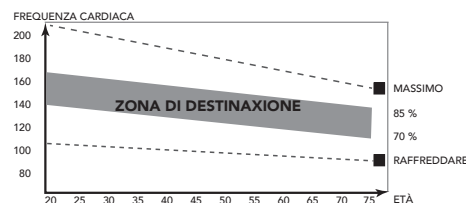
### La fase di riscaldamento

Questa fase aiuta a far scorrere il sangue nel corpo e a far funzionare correttamente i muscoli. Ridurrà anche il rischio di crampi e di lesioni muscolari. Si consiglia di fare qualche esercizio di stretching come mostrato qui di seguito. Ogni esercizio di stretching andrebbe mantenuto per circa 30 secondi, non forzare o strappare i muscoli durante l'esercizio, se si sente un dolore FERMARSI SUBITO

### La fase dell'esercizio

Questa è la fase dove fate il vostro sforzo. Dopo un uso regolare, i muscoli delle vostre gambe diventeranno più flessibili. Lavorare

nell'ottica del vostro obiettivo è molto importante per mantenere un ritmo costante durante l'esercizio. La velocità del vostro lavoro dovrebbe essere sufficiente per aumentare il vostro battito cardiaco nella zona target mostrata sul grafico qui sotto.



Questa fase dovrebbe durare almeno 12 minuti anche se la maggior parte delle persone inizia a circa 15-20 minuti

### La fase di defaticamento

Questa fase consente al vostro sistema cardiovascolare e ai vostri muscoli di rilassarsi. Questa è una ripetizione dell'esercizio di riscaldamento, cioè riduce il vostro ritmo, e continua per circa 5 minuti. Gli esercizi di stretching adesso andrebbero ripetuti, ricordandosi sempre di non forzare o strappare i vostri muscoli nello stretching.

A mano a mano che sarete più in forma, potrete aver bisogno di allenarvi di più e più a lungo. Si consiglia di allenarsi almeno tre volte alla settimana, e se possibile, spalmare gli esercizi in

### Tono muscolare

Per tonificare i muscoli mentre siete sul vostro fitness trainer dovrete impostare la resistenza abbastanza alta. Questo sforzerà di più i muscoli delle vostre gambe e potrebbe voler dire che non potrete allenarvi per il tempo che avreste desiderato. Se anche voi state cercando di migliorare la vostra forma dovrete modificare il vostro programma di allenamento. Dovreste allenarvi normalmente durante le fasi di riscaldamento e di defaticamento, ma verso la fine della fase dell'esercizio dovrete aumentare la resistenza, per fare lavorare di più le vostre gambe. Dovreste ridurre la vostra velocità per mantenere la vostra frequenza cardiaca nella zona target.

### Perdere peso

Qui il fattore importante è la quantità di sforzo che mettete. Più forte e a lungo lavorate e più calorie brucerete. In effetti è uguale a come se stesse allenandovi per migliorare la vostra forma, la differenza è l'obiettivo.

### Frequenza cardiaca

#### Misurazione della frequenza cardiaca (fascia toracica)

#### !! NOTA

- La fascia toracica non è di serie con questa macchina. Se si desidera utilizzare una fascia toracica wireless, è necessario acquistarla come accessorio.

La misurazione della frequenza cardiaca più accurata si ottiene tramite una fascia cardiaca. La misurazione viene effettuata da un ricevitore della frequenza cardiaca combinato con una fascia toracica trasmittente. Per un'accurata misurazione della frequenza cardiaca, gli elettrodi sulla fascia del trasmettitore devono essere leggermente umidi e costantemente a contatto con la pelle. Se gli elettrodi sono troppo asciutti o troppo bagnati, la misurazione della frequenza cardiaca diventa meno accurata.

#### ⚠ ATTENZIONE

- Se l'utente è portatore di pacemaker, consultare un medico prima di utilizzare una fascia toracica per la misurazione della frequenza cardiaca.

**⚠ AVVISIO**

- In presenza di numerosi dispositivi per la misurazione della frequenza cardiaca vicini, verificare che siano almeno ad una distanza di 1,5 metri uno dall'altro.
- In presenza di un solo ricevitore e numerosi trasmettitori di frequenza cardiaca, verificare che solo una persona con un trasmettitore sia all'interno del campo di trasmissione.

**!! NOTA**

- Indossare sempre la fascia toracica sotto gli abiti a diretto contatto con la pelle. Non indossare la fascia toracica sopra gli abiti. Indossando la fascia toracica sopra gli abiti, non sarà trasmesso alcun segnale.
- Impostando un limite per la frequenza cardiaca, viene generato un allarme acustico al superamento di tale limite.
- Il trasmettitore trasmette la frequenza cardiaca alla console fino ad una distanza di 1 metro. Se gli elettrodi non sono umidi, la frequenza cardiaca non viene visualizzata sul display.
- Alcune fibre negli abiti (ad es. poliestere, poliammide) creano elettricità statica che può impedire un'accurata misurazione della frequenza cardiaca.
- Cellulari, TV e altri apparecchi elettrici creano un campo magnetico che può impedire un'accurata misurazione della frequenza cardiaca.

**Massima frequenza cardiaca (durante l'allenamento)**

La massima frequenza cardiaca è la frequenza cardiaca più elevata che una persona può raggiungere in sicurezza durante lo stress dell'allenamento. Per calcolare la massima frequenza cardiaca media, viene utilizzata la seguente formula:  $220 - \text{ETÀ}$ . La massima frequenza cardiaca varia da persona a persona.

**⚠ ATTENZIONE**

- Porre attenzione a non superare la massima frequenza cardiaca durante l'allenamento. In caso di appartenenza ad un gruppo a rischio, consultare un medico.

**Principianti****50-60% della massima frequenza cardiaca**

Adatta per persone in fase di dieta dimagrante, principianti, convalescenti e per chi non fa esercizio da molto tempo. Allenarsi almeno tre volte alla settimana, per 30 minuti alla volta.

**Livello avanzato****60-70% della massima frequenza cardiaca**

Adatta per coloro che desiderano migliorare e mantenere la forma fisica. Allenarsi almeno tre volte alla settimana, per 30 minuti alla volta.

**Esperti****70-80% della massima frequenza cardiaca**

Adatta per le persone in perfetta forma fisica abituate ad allenamenti che richiedono molta resistenza.

**Utilizzo****Regolazione dei piedini di appoggio**

L'attrezzo è dotato di piedini di appoggio regolabili.

Se risulta instabile, traballante o non ben livellata, questi piedini di appoggio possono essere regolati per apportare le correzioni richieste.

- Avvitare/svitare i piedini di appoggio come richiesto per mettere l'attrezzo in una posizione stabile e il più possibile livellata.)
- Serrare il controdado\* per bloccare i piedini di appoggio.

**!! NOTA**

- L'attrezzo è più stabile se regolato più vicino al pavimento. Pertanto, iniziare a livellare l'attrezzo avvitando completamente tutti i piedini di appoggio, prima di svitare i piedini di appoggio per stabilizzare e livellare l'attrezzo.



Cliccare per vedere il nostro video di supporto su YouTube  
<https://youtu.be/3BiN9mc5Tmw?t=535>

**Alimentazione**

Il trainer è dotato di un'alimentazione esterna. Fare riferimento all'illustrazione per individuare l'ingresso dell'alimentazione del trainer. (Fig. E-1)

**!! NOTA**

- Collegare l'alimentazione al trainer prima di inserirla nella presa elettrica.
- Staccare sempre il cavo di alimentazione quando la macchina non viene usata.

**Regolazione della posizione orizzontale del sedile**

La posizione orizzontale del sedile può essere modificata e regolata come desiderato. (Fig. E-2)

- Allentare la guida del sedile ruotando la leva di sgancio rapido in senso orario.
- Spostare il sedile nella posizione desiderata.
- Fissare la guida del sedile ruotando la leva di sgancio rapido in senso orario.

**!! NOTA**

- La leva di sgancio rapido è azionata da una molla. Per ripristinare la posizione della leva si può tirare la leva stessa verso il basso, riposizionarla e rilasciarla nuovamente.

**Regolazione della posizione verticale del sedile**

È possibile regolare la posizione verticale del sedile impostando il reggisella nella posizione richiesta. (Fig. E-2)

Con la gamba quasi stesa, l'arco del piede deve toccare il pedale nel punto più basso.

- Allentare la manopola di regolazione del reggisella.
- Spostare il reggisella nella posizione richiesta.
- Serrare la manopola di regolazione del reggisella.

**Regolazione della posizione orizzontale del manubrio**

La posizione orizzontale del manubrio può essere modificata spostando [?] a maggiore o minore distanza dall'utente nella posizione desiderata. (Fig. E-2)

- Allentare il telaio di fissaggio del manubrio ruotando la leva di sgancio rapido in senso orario.
- Spostare il telaio di fissaggio del manubrio nella posizione desiderata.
- Fissare il telaio del manubrio ruotando la leva di sgancio rapido in senso orario.

**!! NOTA**

- La leva di sgancio rapido è azionata da una molla. Per ripristinare la posizione della leva si può tirare la leva stessa verso il basso, riposizionarla e rilasciarla nuovamente.

### Regolazione dell'altezza del manubrio

L'altezza del manubrio può essere regolata alla quota ottimale in base alle preferenze e alla posizione di esercizio dell'utente. (Fig. E-2)

- Tenere fermo il manubrio prima di allentare la manopola di regolazione, poi ruotare la manopola di 2 giri completi in senso antiorario e tirarla verso l'esterno.
- Mantenendo la manopola a molla tirata verso l'esterno, spostare il manubrio nella posizione desiderata.
- Una volta trovata l'altezza desiderata, rilasciare la manopola a molla e muovere leggermente il manubrio in su e in giù per accertarsi che la manopola a molla si assesti nella posizione di fissaggio chiusa.
- Stringere saldamente la manopola di regolazione del manubrio ruotandola in senso orario.

### Manopola del freno di emergenza (Fig. G)

Per attivare il freno di emergenza, premere fino in fondo e con forza la leva di tensione del freno.

### Come usare il nostro pedale a doppia funzione)

Se avete domande da fare vi consigliamo di chiedere assistenza ad un rivenditore di biciclette, o di consultare le istruzioni del produttore delle scarpette.

Quando si fissa la tacchetta, la linea centrale laterale dovrebbe trovarsi sotto il centro del cuscinetto plantare. Regolare avanti e indietro tramite le fessure nella suola della scarpetta. Regolare lateralmente giocando tra la rondella della tacchetta e la tacchetta. Serrare bene le tacchette. La posizione della tacchetta può essere regolata bene, secondo le preferenze personali, dopo un giro di prova. Potrebbe servire del tempo prima di trovare il proprio setup ottimale della tacchetta.

### Puntapiedi

Tutti i puntapiedi standard possono essere attaccati ai pedali. Utilizzare viterie e istruzioni d'installazione fornite con i puntapiedi e garantire che le viti di fissaggio siano serrate bene prima dell'uso.

### Utilizzo dei pedali

Mettere le scarpette tacchettate nei pedali inserendo la tacchetta fra i lacci premendo giù.

Staccarsi ruotando la caviglia lontano dalla bicicletta per gli esercizi. La tensione di connessione è regolabile e andrebbe impostata di modo che la tacchetta e la scarpa non si stacchino quando si pedala. Utilizzare una chiave a brugola per girare le viti di regolazione della tensione, in senso orario per aumentare la tensione, in senso antiorario per diminuirla.

## Console



1. Display
2. Supporto per tablet/ libro
3. Pulsanti

### **⚠ AVVISO**

- Non esporre la console alla luce solare diretta.
- Asciugare la superficie della console se è coperta da gocce di sudore.
- Non appoggiarsi sulla console.
- Toccare il display solo con la punta delle dita. Non toccare il display con le unghie o con oggetti appuntiti.

### **!! NOTA**

- La console passa in modalità standby quando l'apparecchio non viene utilizzato per 4 minuti.

### Spiegazione delle funzioni di visualizzazione

#### **Time (Tempo)**

- Senza impostare il valore target, il tempo verrà conteggiato.
- Se si imposta il valore target, il tempo farà un conto alla rovescia dal vostro tempo target a 0 e suonerà o lampeggerà un allarme. Il tempo continuerà ad essere conteggiato se l'allenamento non viene interrotto una volta raggiunto l'obiettivo.
- Intervallo: 0:00~99:59

#### **Speed (Velocità)**

- Visualizza la velocità di allenamento corrente.
- Intervallo: 0.0 ~ 99.9

#### **RPM**

- Visualizza i giri al minuto
- Intervallo: 0 ~ 999

#### **Pulse (Impulso)**

- L'impulso corrente verrà visualizzato dopo 6 secondi quando viene rilevato dalla console.
- Senza nessun segnale d'impulso per 6 secondi, la console visualizzerà "P".
- L'allarme impulso suonerà quando l'impulso corrente è oltre l'impulso target.
- Range: 0-30 ~ 230 BPM.

#### **Watt**

- Visualizza i watt di allenamento correnti.
- Intervallo: 0 ~ 999

**Distance (Distanza)**

- Senza impostare il valore target, la distanza verrà conteggiata.
- Se si imposta il valore target, per la distanza ci sarà un conto alla rovescia dalla vostra distanza target a 0 con il suono o il lampeggio di un allarme.  
La distanza continuerà ad essere conteggiata se l'allenamento non viene interrotto una volta raggiunto l'obiettivo.
- Intervallo: 0.00 ~ 99.99 KM.

**Load**

- Mostra l'impostazione del livello della tensione, durante la regolazione della resistenza, per 3 secondi.
- Intervallo: 1 ~ 32

**Calories (Calorie)**

- Senza impostare il valore target, le calorie verranno conteggiate.
- Se si imposta il valore target, per le calorie ci sarà un conto alla rovescia dalla vostra caloria target a 0 con il suono o il lampeggio di un allarme
- Intervallo: 0~999

**!! NOTA**

- Questo dato è una guida approssimativa per confrontare le differenti sedute di esercizi che non può essere usato in un trattamento medico.

**Spiegazione dei pulsanti****Recovery**

- Una volta che console rileva il segnale d'impulso, premere il tasto RECOVERY per accedere in modalità recupero e monitorare la capacità di recupero della frequenza cardiaca

**Down**

- Diminuire il livello di resistenza durante l'esercizio.
- Selezione impostazione.

**Mode**

- Confermare impostazione o selezione.

**Up**

- Aumentare il livello di resistenza durante l'esercizio.
- Selezione impostazione.

**Reset**

- In modalità impostazione, premere una volta il tasto RESET per azzerare i valori della funzione corrente.
- Premere il tasto RESET e tenerlo premuto per 2 secondi per azzerare tutti i valori di tutte le funzioni.

**Start/ Stop**

- Avviamento o Interruzione (pausa) dell'esercizio.

**Utilizzo****Accensione**

- Inserire la spina nella presa a muro.  
Il computer si avvia e visualizza tutti i componenti sul display LCD per 2 secondi
  - Premere qualsiasi tasto per accendere la console mentre si trova in modalità sleep.
  - Iniziare a pedalare per accendere la console quando si trova in modalità sleep.
- Lo schermo LCD visualizzerà tutti i segmenti.

**Spegnimento**

- In assenza di segnale trasmesso nel monitor per 4 minuti, il monitor entrerà automaticamente in modalità SLEEP.
- Scollegare l'alimentatore per spegnere direttamente il computer.

**Programmi****Avvio rapido**

- Premere il tasto Start/ Stop per iniziare l'allenamento senza alcuna impostazione predefinita.
- Utilizzare Up/ Down per regolare il livello di resistenza durante l'allenamento.

**Terminare l'allenamento**

- Premere Start/ Stop in modalità allenamento per fermare/mettere in pausa l'allenamento.  
Per riprendere l'allenamento, premere il tasto Start/ Stop in modalità pausa.
- Premere il tasto Reset (in modalità Pausa) per reimpostare tutti i dati dell'allenamento.
- Tenere premuto il tasto Reset per oltre 2 secondi per resettare la console. (I dati dell'allenamento attivo andranno persi)

**Modalità manuale**

- Usare i tasti Up/ Down per selezionare il programma di allenamento, scegliere la modalità Manual e premere il tasto modalità per entrare nella successiva impostazione del programma in modalità manuale.
- Usare il tasto Up/ Down per preimpostare il tempo di allenamento e premere Mode per confermare l'impostazione.

**!! NOTA**

- Dopo la conferma è possibile anche impostare: Distance, Calories, & Pulse.
- Quando si impostano più obiettivi, l'allenamento si concluderà al primo obiettivo raggiunto.
- Lasciando un obiettivo vuoto, questo non sarà visto come un limite preimpostato.

- Premere il tasto Start/ Stop per iniziare l'allenamento
- Utilizzare il tasto Up/ Down per regolare il livello di resistenza.
- Utilizzare Reset per tornare al menu principale.  
(I dati di allenamento attivi andranno persi)

**Modalità Beginner (Principianti)**

- Usare il tasto Up/ Down della per selezionare il programma dell'esercizio, scegliere modalità Beginner e premere il tasto Mode per digitare il valore dell'impostazione successiva per il programma di modalità Beginner.
- Usare il tasto Up/ Down per selezionare il programma Beginner 1 ~ 4 e premere Mode per confermare.
- Usare i tasti Up/ Down per impostare il tempo.
- Premere il tasto Start/ Stop per iniziare l'allenamento
- Utilizzare il tasto Up/ Down per regolare il livello di resistenza.
- Utilizzare Reset per tornare al menu principale.  
(I dati di allenamento attivi andranno persi)

### **Advance (Modo avance)**

- Usare il tasto Up/ Down della per selezionare il programma dell'esercizio, scegliere modalità Advance e premere il tasto Mode per digitare il valore dell'impostazione successiva per il programma di modalità Advance.
- Usare il tasto Up/ Down per selezionare il programma Advance 1 ~ 4 e premere Mode per confermare.
- Usare i tasti Up/ Down per impostare il tempo.
- Premere il tasto Start/ Stop per iniziare l'allenamento
- Utilizzare il tasto Up/ Down per regolare il livello di resistenza.
- Utilizzare Reset per tornare al menu principale.  
(I dati di allenamento attivi andranno persi)

### **Modalità Sporty**

- Usare il tasto Up/ Down della per selezionare il programma dell'esercizio, scegliere modalità Sporty e premere il tasto Mode per digitare il valore dell'impostazione successiva per il programma di modalità Sporty.
- Usare il tasto Up/ Down per selezionare il programma Sporty 1 ~ 4 e premere Mode per confermare.
- Usare i tasti Up/ Down per impostare il tempo.
- Premere il tasto Start/ Stop per iniziare l'allenamento
- Utilizzare il tasto Up/ Down per regolare il livello di resistenza.
- Utilizzare Reset per tornare al menu principale.  
(I dati di allenamento attivi andranno persi)

### **Modalità cardio**

- Utilizzare la funzione Up/ Down per selezionare il programma di allenamento, selezionare Cardio, quindi confermare premendo Mode.
- Premere il tasto Up/ Down per impostare l'età e confermare premendo il tasto modalità
- È possibile selezionare 4 programmi cardio:  
55% (della massima HR = 220 - età x 55%)  
75% (della massima HR = 220 - età x 75%)  
90% (della massima HR = 220 - età x 90%)  
TAG (Target Heart Rate, default set on 100  
TAG = Obiettivo (Predefinito 100),  
confermare premendo Mode
- Per impostare il valore TAG, utilizzare la funzione Up/ Down per impostare l'obiettivo (30~230), quindi confermare premendo Mode.
- Utilizzare il tasto Up/ Down per preimpostare il tempo di allenamento, quindi confermare premendo Mode.
- Premere il tasto Start/ Stop per iniziare l'allenamento
- Utilizzare Reset per tornare al menu principale.

#### **!! NOTA**

- Nella modalità cardio, la tensione verrà regolata automaticamente a un'insensibilità in cui la frequenza cardiaca raggiunge l'obiettivo HRC predefinito.
- Wanneer er 6 seconden geen hartslag gemeten wordt zal de display "Pulse Input" tonen om de gebruiker te waarschuwen.

### **Modalità Watt**

- Utilizzare la funzione Up/ Down per selezionare il programma di allenamento, selezionare Watt, quindi confermare Watt Mode..
- Utilizzare Up/ Down per impostare l'obiettivo Watt  
Watt. 120 è il valore predefinito  
Intervallo: 10~350  
confermare premendo Mode.
- Utilizzare il tasto Up/ Down per preimpostare il tempo di allenamento, quindi confermare premendo Mode.
- Premere il tasto Start/ Stop per iniziare l'allenamento.
- Utilizzare il tasto Up/ Down per regolare il livello di resistenza (Watt).
- Utilizzare Reset per tornare al menu principale.  
(I dati di allenamento attivi andranno persi)

Nella modalità Watt, la tensione verrà regolata automaticamente a un'insensibilità in cui i Watt raggiungono l'obiettivo watt predefinito.

#### **!! NOTA**

- Il parametro Watt è un calcolo di RPM e livello di tensione.  
Quando RPM è maggiore, la tensione sarà minore.  
Quando RPM è minore, la tensione sarà maggiore.

### **Recovery (Recupero)**

- Il tasto Recovery sarà valido solo se viene rilevato un impulso.
- TIME mostrerà „0:60“ (secondi) e farà il conteggio alla rovescia fino a 0.
- Il computer mostrerà da F1 a F6 dopo il conteggio alla rovescia per testare lo stato di recupero della frequenza cardiaca. L'utente può trovare il livello di recupero della frequenza cardiaca basandosi sullo schema qui sotto.
- Premere nuovamente il tasto Recovery per ritornare all'inizio.

### **Come leggere il risultato del test.**

Il risultato si basa sulla vostra condizione di frequenza cardiaca. Quando si è attivi la frequenza cardiaca aumenta in battiti al minuto (bpm.).

Quando si termina l'esercizio, la frequenza cardiaca si stabilizzerà sui valori normali. Più velocemente la frequenza cardiaca si stabilizza, migliore è la condizione cardiaca.

Quando la frequenza cardiaca scende di almeno 50 bpm. nel minuto di test, il risultato sarà F1.

Quando la frequenza cardiaca scende a valori compresi fra 41~50 bpm. nel minuto di test, il risultato sarà F2.

E così via.

F1	Eccezionale	50+ bpm.
F2	Eccellente	41 ~ 50 bpm.
F3	Buono	31~ 40 bpm.
F4	Normale	21 ~ 30 bpm.
F5	Sotto la media	11 ~ 20 bpm.
F6	Scarso	0 ~ 10 bpm.

#### **!! NOTA**

- Quando la frequenza cardiaca è aumentata nel minuto di prova, verrà visualizzato anche in questo caso F6.
- Quando si accede alla modalità di recupero, l'allenamento verrà messo in pausa.
- Premere Avvio / Stop per riprendere l'allenamento quando si esce dalla modalità di ripristino oppure premere Ripristina per tornare al menu di avvio.

## Bluetooth & APP

- Questa console può collegare una APP al dispositivo smart tramite Bluetooth (iOS & Android).
- Una volta che la console è collegata al dispositivo smart tramite Bluetooth, la console si spegnerà.

### !! NOTA

- Tunturi fornisce solo l'opzione per collegare la vostra console fitness tramite un collegamento bluetooth. Quindi Tunturi non può essere ritenuta responsabile di eventuali danni o malfunzionamento di prodotti che non siano prodotti Tunturi.
- Controllare il sito web per ulteriori informazioni.

Questa console può ricevere un trasmettitore di frequenza cardiaca Bluetooth. Non è necessario associare il dispositivo, poiché la console rileverà automaticamente il trasmettitore della frequenza cardiaca quando si trova nel raggio d'azione.

## Pulizia e manutenzione

L'apparecchio non richiede manutenzione speciale. L'apparecchio non richiede ricalibrazione quando viene assemblato, utilizzato e sottoposto a assistenza in conformità con le istruzioni.

### ⚠ ATTENZIONE

- Prima di qualsiasi intervento di pulizia e manutenzione, rimuovere l'adattatore.
  - Non utilizzare solventi per pulire l'apparecchio.
  - La pulizia e la manutenzione da parte dell'utente non devono essere eseguite da bambini senza supervisione.
- Pulire l'apparecchio con un panno morbido e assorbente dopo ogni uso.
  - Verificare regolarmente che tutte le viti e i dadi siano serrati.
  - Se necessario, lubrificare i raccordi.

## Difetti e malfunzionamenti

Nonostante il costante controllo di qualità, i singoli componenti possono causare difetti e malfunzionamenti all'apparecchio. Nella maggior parte dei casi, è sufficiente sostituire i componenti difettosi.

- Se l'apparecchio non funziona correttamente, contattare immediatamente il rivenditore.
- Fornire il numero di modello e il numero di serie dell'apparecchio al rivenditore. Comunicare la natura del problema, le condizioni d'uso e la data d'acquisto.

### Risoluzione dei problemi:

- Se la visualizzazione dello schermo LCD è debole, significa che le batterie devono essere cambiate.
- Se non c'è nessun segnale quando si pedala, controllare se il cavo è connesso bene.

### !! NOTA

- Se si interrompe l'allenamento per 4 minuti, la schermata principale si spegnerà.
- Se il computer visualizza le cose in modo anomalo, reinsertire le batterie e riprovare.

### Sensazione di instabilità o instabilità durante l'uso

Se la macchina si sente instabile o instabile durante il funzionamento, è consigliabile regolare i piedini di supporto per portare il telaio all'altezza corretta. Leggi le istruzioni in questo manuale nella sezione "Uso"

## Trasporto e stoccaggio

### ⚠ ATTENZIONE

- Per trasportare e spostare l'apparecchio sono necessarie almeno due persone.
- Posizionarsi in piedi davanti all'apparecchio da entrambi i lati e afferrare saldamente le impugnature. Sollevare la parte anteriore dell'apparecchio in modo da sollevare il retro sulle ruote. Spostare l'apparecchio e abbassarlo con cura. Collocare l'apparecchio su una base protettiva per evitare danni alla superficie del pavimento.
  - Spostare l'apparecchiatura con attenzione sulle superfici irregolari. Non spostare l'apparecchio al piano superiore utilizzando le ruote ma sostenerlo per le impugnature.
  - Riporre l'apparecchio in un luogo asciutto con la minore variazione di temperatura possibile.

## Garanzia

### Garanzia dell'attrezzo sportivo Tunturi

#### Condizioni di garanzia

Il consumatore beneficia dei diritti legali applicabili previsti dalla legislazione nazionale in materia di commercio di beni di consumo. La garanzia non limita tali diritti. La Garanzia dell'acquirente è valida solo se l'articolo viene utilizzato in un ambiente approvato da Tunturi New Fitness BV per quel determinato attrezzo. Le istruzioni relative all'ambiente e di manutenzione specifiche per il prodotto sono riportate nel "manuale utente" del prodotto. Il "manuale utente" può essere scaricato dal nostro sito web. <http://manuals.tunturi.com>

#### Condizioni per la garanzia

La garanzia entra in vigore dalla data dell'acquisto dell'attrezzo. Le condizioni per la garanzia possono variare in funzione del paese. Rivolgersi al rivenditore di zona per maggiori informazioni sulle condizioni per la garanzia.

#### Copertura della garanzia

L'azienda Tunturi Ltd ed i suoi rappresentanti non rispondono per nessun motivo dei danni indiretti causati all'acquirente dall'attrezzo. Per danni indiretti s'intendono quelli relativi al mancato sfruttamento dell'attrezzo, mancato guadagno o altri danni di natura economica.

#### Limiti di garanzia

La garanzia copre i difetti di materiale e fabbrica dell'attrezzo che si manifestano subito dopo l'acquisto. La garanzia copre solo i difetti che si manifestano durante l'uso normale e conforme alle istruzioni del manuale di installazione, manutenzione ed uso fornito da Tunturi. L'azienda Tunturi Ltd ed i suoi rivenditori non rispondono dei danni causati da eventi al di fuori del loro controllo. La garanzia riguarda solo il proprietario originario dell'attrezzo ed è in vigore solo in quei paesi in cui Tunturi Ltd dispone di un proprio rappresentante autorizzato.

La garanzia non copre i difetti di quegli attrezzi o componenti che sono stati modificati senza l'espressa autorizzazione del fabbricante Tunturi Ltd. La garanzia non copre i difetti causati dalla normale usura, da un uso in condizioni non previste, dalla corrosione, dalla movimentazione e dal trasporto.

La garanzia non copre rumori o suoni emessi durante l'uso a meno che non impediscano l'uso dell'attrezzo e che non siano causati da un guasto all'attrezzo stesso.

La garanzia non comprende nemmeno i normali interventi di servizio dell'attrezzo, come per esempio la pulizia, lubrificazione, controllo periodico dei componenti né le piccole installazioni che può effettuare il cliente stesso e che non richiedono lo smontaggio/montaggio dell'attrezzo. Questi interventi sono, per esempio, la sostituzione del pannello, dei pedali o di altri componenti analoghi. La garanzia non copre gli interventi di riparazione previsti, se non vengono eseguiti da un rappresentante autorizzato Tunturi. Se sbagliate a seguire le istruzioni del manuale d'uso, decade subito la garanzia sul prodotto.

## Dati tecnici

Parametro	Unità di misura	Valore
Lunghezza	cm	156.0
	inch	61.4
Larghezza	cm	59.0
	inch	23.2
Altezza	cm	142.0
	inch	55.9
Peso	kg	53.2
	lbs	117.3
Peso massimo utente	kg	180
	lbs	397
Specifiche di uscita del trasformatore	Voltaggio Ampere	9V-DC 2.0 A
Misurazione della frequenza cardiaca disponibile tramite:	Contatto impugnatura	Si
	5.0 Khz	No
	5,3 Khz.	No
	Bluetooth (BLE)	Si
	ANT+	No

### !! NOTA

- Per conoscere le dimensioni del prodotto e le dimensioni funzionali si prega di guardare l'illustrazione H.

## Dichiarazione del fabbricante

Tunturi New Fitness BV dichiara che il Platinum S20 Cycletta da allenamento agonistico è conforme alle seguenti norme e direttive:

- Direttiva RoHS (2011/65/EU)
- Regolamento generale sulla sicurezza dei prodotti (GPSR) – (EU) 2023/988

Con la presente, Tunturi New Fitness BV dichiara che il Rullo per Platinum S20 Cycletta da allenamento agonistico di tipo apparecchiatura radio è conforme alla Direttiva 2014/53/EU.

La dichiarazione di conformità, comprensiva di tutte le norme e direttive, può essere scaricata dal nostro sito web: <https://doc.tunturi.com>

Tunturi New Fitness BV  
Purmerweg 1  
1311 XE Almere  
Paesi Bassi

## Clausola di esonero della responsabilità

© 2025 Tunturi New Fitness BV

Tutti i diritti riservati.

- Il prodotto e il manuale sono soggetti a modifiche.
- Le specifiche tecniche possono essere modificate senza preavviso.
- Vedere il nostro sito Web per la versione del manuale più recente.

**Español**

Este manual español es una traducción del texto inglés. No se pueden derivar derechos de esta traducción. El texto original en inglés prevalecerá.

**Índice**

<b>¡Bienvenido .....</b>	<b>59</b>
<b>Advertencias de seguridad.....</b>	<b>59</b>
Seguridad eléctrica .....	60
<b>Instrucciones de montaje.....</b>	<b>60</b>
Descripción de la ilustración A.....	60
Descripción de la ilustración B.....	60
Descripción de la ilustración C.....	60
Descripción de la ilustración D.....	60
Información adicional de montaje.....	60
Información adicional.....	61
Zona de entrenamiento libre (Fig. D-0).....	61
<b>Sesiones de ejercicio .....</b>	<b>61</b>
Ejercicio Instrucciones .....	61
Del ritmo cardíaco.....	61
<b>Uso .....</b>	<b>62</b>
Ajuste de las patas de apoyo.....	62
Fuente de alimentación .....	62
Ajuste de la posición horizontal del asiento .....	62
Ajuste de la posición del sillín vertical .....	62
Ajuste de la posición horizontal del manillar .....	62
Ajuste de la altura del manillar.....	63
Perilla del freno de emergencia (Fig. G-2) .....	63
Cómo usar el pedal de doble función .....	63
<b>Consola.....</b>	<b>63</b>
Funciones del monitor .....	63
Botones de funciones.....	64
Funcionamiento .....	64
<b>Programas .....</b>	<b>64</b>
Inicio rápido .....	64
Fin del entrenamiento.....	64
Modo Manual.....	64
Modo Beginner (principiante) .....	64
Modo Advance (avanzado).....	65
Modo Sporty (Deportivo).....	65
Modo Cardio.....	65
Watt (Modo Vatios).....	65
Recovery (Recuperación).....	65
Bluetooth & APP .....	66
<b>Limpieza y mantenimiento.....</b>	<b>66</b>
Defectos y fallos.....	66
<b>Transporte y almacenamiento.....</b>	<b>66</b>
<b>Garantía.....</b>	<b>66</b>
<b>Datos técnicos .....</b>	<b>67</b>
<b>Declaración del fabricante .....</b>	<b>67</b>
<b>Descargo de responsabilidad .....</b>	<b>67</b>

**¡Bienvenido**

¡Bienvenido al mundo de Tunturi Fitness!

Le agradecemos la compra de esta máquina Tunturi. Tunturi ofrece una amplia gama de máquinas de fitness profesionales como bicicletas elípticas, cintas de correr, bicicletas de ejercicio, bancos de fuerza y estaciones múltiples. La máquina Tunturi es adecuada para toda la familia, independientemente del nivel de forma física. Si desea información adicional, visite nuestro sitio web [www.tunturi.com](http://www.tunturi.com)

**Información y precauciones**

Lea atentamente esta guía antes del montaje, uso o mantenimiento de su equipo de ejercicio. Mantenga esta guía en lugar seguro; le brindará hoy y en el futuro la información que necesite para usar y mantener su equipo. Siga siempre atentamente sus instrucciones.

**Advertencias de seguridad****⚠ ADVERTENCIA**

- Lea las advertencias de seguridad y las instrucciones. De no seguirse las advertencias de seguridad y las instrucciones pueden producirse lesiones personales o daños en la máquina. Conserve las advertencias de seguridad y las instrucciones para su consulta posterior.

**⚠ ADVERTENCIA**

- Los sistemas de motorización de frecuencia cardíaca pueden ser imprecisos. Un exceso de ejercicio puede provocar lesiones graves o incluso la muerte. Si se siente mareado, deje de hacer ejercicio inmediatamente.
- La máquina es adecuada únicamente para uso doméstico y profesional (p. ej. hospitales, cuarteles de bomberos, hoteles, colegios, etc.).
- Este aparato puede ser utilizado por niños mayores de 8 años y por personas con capacidades físicas, sensoriales o mentales reducidas o con falta de experiencia y conocimientos, si han recibido supervisión o instrucciones sobre el uso del aparato de forma segura y comprenden los peligros que conlleva.
- Se debe supervisar a los niños para garantizar que no jueguen con el aparato.
- Antes de empezar a hacer ejercicio, consulte con un médico para comprobar su estado de salud.
- Si experimenta náuseas, mareos u otros síntomas anormales, deje de hacer ejercicio inmediatamente y consulte con un médico.
- Para evitar dolor y tensión muscular, realice un calentamiento antes de empezar a hacer ejercicio y termine haciendo relajación. Recuerde hacer estiramientos al final de la sesión de ejercicio.
- La máquina es adecuada únicamente para uso en interior. La máquina no es adecuada para un uso en exterior.
- Utilice la máquina únicamente en lugares con una ventilación adecuada. No utilice la máquina en lugares donde haya corriente para no resfriarse.
- Utilice la máquina únicamente en lugares con una temperatura ambiente entre +15°C~+35°C / 59°F~95°F. Almacene la máquina únicamente en lugares con una temperatura ambiente entre +5°C~+45°C / 41°F~113°F.
- No utilice ni almacene la máquina en espacios húmedos. La humedad del aire no debe ser superior al 80%.
- Utilice la máquina sólo para su uso previsto. No la utilice para otros fines que no sean los descritos en el manual.
- La máquina no debe utilizarse si alguna de las piezas ha sufrido daños o tiene algún defecto. Contacte con su proveedor si alguna de las piezas ha sufrido daños o tiene algún defecto.

- Mantenga las manos, los pies y demás partes del cuerpo alejadas de las piezas móviles.
- Mantenga el pelo alejado de las piezas móviles.
- Lleve ropa y calzado adecuado.
- Mantenga la ropa, las joyas y otros objetos alejados de las piezas móviles.
- Asegúrese de que sólo una persona utilice la máquina cada vez. La máquina no debe ser utilizada por personas cuyo peso supere los 180kg (397 lbs).
- No abra la máquina sin consultar con su proveedor.

### **Seguridad eléctrica**

- Antes del uso, compruebe siempre que la tensión de red sea la misma que la tensión indicada en la placa de características de la máquina.
- No utilice un cable alargador.
- Mantenga el cable de red alejado del calor, de aceite y de bordes afilados.
- No altere ni modifique el cable de red o el enchufe de red.
- No utilice la máquina si el cable de red o el enchufe de red ha sufrido daños o tiene algún defecto. Si el cable de red o el enchufe de red ha sufrido daños o tiene algún defecto, contacte con su proveedor.
- Desenrolle siempre el cable de red en su totalidad.
- No pase el cable de red debajo de la máquina. No pase el cable de red debajo de una alfombra. No coloque ningún objeto sobre el cable de red.
- Asegúrese de que el cable de red no cuelgue sobre el borde de una mesa. Asegúrese de que el cable de red no quede atrapado y que no sea posible tropezarse con él.
- No deje la máquina desatendida cuando el enchufe de red esté insertado en la toma de pared.
- No tire del cable de red para sacar el enchufe de la toma de pared.
- Retire el enchufe de red de la toma de pared cuando la máquina no se esté utilizando, antes del montaje o el desmontaje o antes de la limpieza y el mantenimiento.

#### **⚠ ADVERTENCIA**

- No use nunca agua o cualquier otro líquido directamente en o cerca del equipo, utilice solo un paño húmedo si se requiere humedad para limpiar la máquina.
- El uso directo de líquido es perjudicial para los componentes del equipo y puede provocar una descarga eléctrica a causa de un cortocircuito. Esto podría provocar lesiones personales graves o incluso la muerte.
- El aparato solo debe utilizarse con la fuente de alimentación suministrada con el mismo.

## **Instrucciones de montaje**

### **Descripción de la ilustración A**

La ilustración muestra cuál debe ser el aspecto de la máquina una vez completado el montaje. Puede utilizar esta ilustración como referencia durante el montaje, pero siga siempre los pasos de montaje en el orden correcto como se muestra en las ilustraciones.

### **Descripción de la ilustración B**

La ilustración muestra los componentes y las piezas que debe encontrar al desembalar el producto.

#### **!! ATENCIÓN !!**

- Las piezas de pequeño tamaño pueden estar ocultas o embaladas en espacios huecos del sistema de protección de poliestireno extruido del producto

### **Descripción de la ilustración C**

La ilustración muestra el juego de tornillería que se suministra con el producto.

El juego de tornillería contiene pernos, arandelas, tornillos, tuercas, etc. y las herramientas necesarias para montar correctamente la máquina.

### **Descripción de la ilustración D**

Las ilustraciones muestran cómo montar mejor la máquina en el orden correcto.

#### **⚠ ADVERTENCIA**

- Monte la máquina en el orden indicado.
- Al menos dos personas deben transportar y mover la máquina.

#### **⚠ PRECAUCIÓN**

- Coloque la máquina sobre una superficie firme y nivelada.
- Coloque la máquina sobre una base protectora para evitar daños en la superficie del suelo.
- Consulte las ilustraciones para el correcto montaje de la máquina.

### **Información adicional de montaje**

#### **D5 Cómo montar los pedales correctamente.**

#### **!! ATENCIÓN !!**

- El lado derecho e izquierdo se determinan desde la perspectiva de las posiciones de ejercicio.

#### **Pedal derecho**

- Localice la marca "R" o "L" en el eje del pedal
- Monte el pedal derecho "R" en la biela derecha.
- Primero, gire el eje del pedal a mano en sentido de las agujas del reloj.
- Utilice la llave para apretar el pedal por completo.

#### **Pedal izquierdo**

- Monte el pedal izquierdo "L" en la biela izquierda.
- Primero, gire el eje del pedal a mano en sentido contrario a las agujas del reloj.
- Utilice la llave para apretar el pedal por completo.



Haga clic para ver nuestro video de ayuda en YouTube  
<https://youtu.be/3BiN9mc5Tmw?t=101>

#### **!! NOTA**

- Guarde las herramientas suministradas con este producto una vez que haya completado el montaje del producto, para futuros fines de servicio.

## Información adicional

### Eliminación de embalajes

Las pautas gubernamentales exigen reducir la cantidad de residuos que se depositan en los basureros. Por este motivo, le rogamos que deseche los embalajes de manera responsable en centros públicos de reciclaje.

### Eliminación al final de la vida útil

Desde Tunturi esperamos que disfrute de su equipo de entrenamiento durante muchos años. No obstante, llegará un momento en que éste llegue al final de su vida útil. Conforme a la Directiva WEEE (relativa a la gestión de residuos procedentes de equipos eléctricos y electrónicos) le corresponde a usted la responsabilidad de desechar adecuadamente su equipo de entrenamiento en un centro público autorizado de recogida.

## Zona de entrenamiento libre (Fig. D-0)

### Parte delantera del equipo

Deje al menos 30 cm de espacio libre delante del equipo.

- La zona de entrenamiento libre de esta sección puede compartirse con otro equipo del mismo tipo cuando ambos están enfrentados.

### Lateral del equipo.

Deje al menos 60 cm de espacio libre a cada lado del equipo.

- La zona de entrenamiento libre de esta sección puede compartirse con otro equipo del mismo tipo cuando ambos están enfrentados.

### Parte trasera del equipo

Deje al menos 200 cm de espacio libre detrás del equipo.

- La zona de entrenamiento libre para esta sección no puede compartirse con otros equipos del mismo tipo. El espacio libre adicional requerido depende de la orientación de ambos equipos y debe ser la suma de ambos valores.

## Sesiones de ejercicio

La sesión de ejercicio debe ser ligera, pero de larga duración. El ejercicio aeróbico se basa en mejorar el consumo de oxígeno máximo del cuerpo, lo que a su vez mejora la resistencia y la forma física. Debe transpirar, pero no debe quedarse sin aliento durante la sesión de ejercicio. Para lograr y mantener un nivel de forma física básico, debe realizar ejercicio al menos tres veces a la semana, 30 minutos cada vez. Aumente el número de sesiones de ejercicio para mejorar su nivel de forma física. Vale la pena combinar el ejercicio regular con una dieta sana. Una persona que se encuentre a dieta debe realizar ejercicio a diario, al principio 30 minutos o menos cada vez, aumentando gradualmente el tiempo de ejercicio diario hasta una hora. Empiece la sesión de ejercicio a velocidad baja y resistencia baja para evitar que el sistema cardiovascular se vea sometido a una tensión excesiva. A medida que mejore el nivel de forma física, pueden aumentarse gradualmente la velocidad y la resistencia. La eficiencia de su ejercicio puede medirse supervisando su frecuencia cardíaca y sus pulsaciones.

### Ejercicio Instrucciones

El uso de su entrenador le aportará muchas ventajas, mejorará su tono físico, tonificará los músculos y, combinado con una dieta con un consumo controlado de calorías, le ayudará a perder peso.

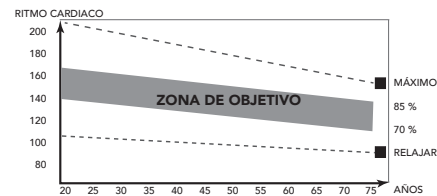
### Fase de calentamiento

Esta fase mejora la circulación y favorece el buen funcionamiento de los músculos. Asimismo, reduce el riesgo de calambres y de lesiones musculares. Es conveniente realizar una serie de ejercicios de estiramiento, como se muestra más abajo. Al estirar se debe

mantener la posición durante unos 30 segundos; no fuerce los músculos ni realice movimientos bruscos para estirarlos, si duele, PARE inmediatamente.

### Fase de ejercicio

Esta es la fase de esfuerzo. Tras un uso regular, los músculos de las piernas irán ganando flexibilidad. Es importante mantener un ritmo estable durante toda esta fase. El ejercicio debe ser lo suficientemente fuerte como para incrementar el ritmo cardíaco hasta el objetivo que se muestra en el siguiente cuadro.



Esta fase debe tener una duración mínima de 12 minutos, aunque la mayoría de las personas empiezan a los 15-20 minutos.

### Fase de enfriamiento

La finalidad de esta fase es permitir que se relaje el sistema cardiovascular y los músculos. Es una repetición del ejercicio de calentamiento, por lo que debe ir reduciendo el ritmo de manera constante durante unos 5 minutos. En este momento debe repetir también los ejercicios de estiramiento, evitando de nuevo forzar los músculos o hacer movimientos bruscos.

A medida que vaya mejorando su forma física, es posible que el entrenamiento tenga que ser más largo e intenso. Es aconsejable entrenarse al menos tres veces a la semana, espaciando de manera uniforme, en la medida de lo posible, los entrenamientos durante la semana.

### Tonificación muscular

Si quiere tonificar los músculos mientras trabaja con el aparato, deberá ajustar la resistencia en un nivel bastante alto. Así aumentará la tensión sobre los músculos de las piernas, con lo que es posible que no pueda entrenarse durante todo el tiempo que le gustaría. Si quiere mejorar su condición física, tendrá que modificar también el programa de entrenamiento. El entrenamiento durante las fases de calentamiento y enfriamiento será igual, pero debe aumentar la resistencia hacia el final de la fase de ejercicio para incrementar el esfuerzo del tren inferior. Tendrá que reducir la velocidad para mantener el ritmo cardíaco en la zona objetivo.

### Pérdida de peso

El factor determinante en este sentido es el esfuerzo realizado. Cuanto más intenso y prolongado sea el ejercicio físico, más calorías quemará. En realidad, es lo mismo que si se entrenara para mejorar la condición física, lo que cambia es el objetivo.

## Del ritmo cardíaco

### Medición de la frecuencia cardíaca (correa en el pecho para la frecuencia cardíaca)

#### !! NOTA

- Una correa de pecho no viene de serie con este entrenador. Cuando te gusta usar una correa de cofre inalámbrica, debes comprarla como accesorio.

La medición más precisa de la frecuencia cardíaca se logra con una correa en el pecho para la frecuencia cardíaca. La frecuencia cardíaca se mide con un receptor de frecuencia cardíaca en combinación con una correa transmisora de la frecuencia cardíaca. Para una medición precisa de la frecuencia cardíaca es necesario que los electrodos de la correa transmisora estén ligeramente húmedos y que toquen

constantemente la piel. Si los electrodos están demasiado secos o demasiado húmedos, la medición de la frecuencia cardíaca puede resultar menos precisa.

#### ADVERTENCIA

- Si usted tiene un marcapasos, consulte con un médico antes de utilizar una correa en el pecho para la frecuencia cardíaca.

#### PRECAUCIÓN

- Si hay varios dispositivos de medición de frecuencia cardíaca en proximidad, asegúrese de que la distancia entre ellos sea de al menos 2 metros.
- Si sólo hay un receptor de frecuencia cardíaca y varios transmisores, asegúrese de que sólo una persona con un transmisor se encuentre en la zona de transmisión.

#### **!!** NOTA

- Lleve siempre la correa en el pecho para la frecuencia cardíaca debajo de la ropa, en contacto directo con la piel. No lleve la correa en el pecho para la frecuencia cardíaca por encima de la ropa. Si lleva la correa en el pecho para la frecuencia cardíaca por encima de la ropa, no habrá señal.
- Si define un límite de frecuencia cardíaca para su sesión de ejercicio, cada vez que éste se supere sonará una alarma.
- El transmisor transmite la frecuencia cardíaca a la consola hasta una distancia de 1,5 metro. Si los electrodos no están húmedos, la frecuencia cardíaca no aparece en la pantalla.
- Algunas fibras de la ropa (p. ej. poliéster, poliamida) generan electricidad estática, la cual puede impedir la medición precisa de la frecuencia cardíaca.
- Los teléfonos móviles, las televisiones y otros aparatos eléctricos generan un campo electromagnético que puede impedir la medición precisa de la frecuencia cardíaca.

#### **Frecuencia cardíaca máxima (durante el entrenamiento)**

alcanzar una persona de forma segura por la tensión del ejercicio. Se utiliza la siguiente fórmula para calcular la frecuencia cardíaca máxima media:  $220 - \text{EDAD}$ . La frecuencia cardíaca máxima varía según la persona.

#### ADVERTENCIA

- Asegúrese de no superar la frecuencia cardíaca máxima durante la sesión de ejercicio. Si usted se encuentra en un grupo de riesgo, consulte con un médico.

#### **Principiante**

##### **50-60% de frecuencia cardíaca máxima**

Adecuada para principiantes, personas que cuidan la línea, convalecientes y personas que no han hecho ejercicio en mucho tiempo. Haga ejercicio al menos tres veces a la semana, 30 minutos cada vez.

#### **Avanzado**

##### **60-70% de frecuencia cardíaca máxima**

Adecuada para personas que desean mejorar y mantener la forma física. Haga ejercicio al menos tres veces a la semana, 30 minutos cada vez.

#### **Experto**

##### **70-80% de frecuencia cardíaca máxima**

Adecuado para personas con muy buena forma física que están acostumbradas a sesiones de ejercicio de gran resistencia.

## **Uso**

### **Ajuste de las patas de apoyo**

El equipo está equipado con patas de apoyo ajustables. Si el equipo parece estar inestable, poco firme o no está bien nivelado, estas patas de apoyo se podrán ajustar para realizar las correcciones necesarias.

- Gire las patas de apoyo hacia adentro o hacia afuera según sea necesario para colocar el equipo en una posición estable y lo más nivelada posible. )
- Apriete las contratuercas\* para bloquear las patas de apoyo.

#### **!!** ATENCIÓN!

- El equipo es más estable cuando está lo más cerca posible del suelo. Por lo tanto, comience a nivelar el equipo girando todas las patas de apoyo completamente hacia adentro, antes de girar las patas necesarias para estabilizar y nivelar el equipo.



Haga clic para ver nuestro video de ayuda en YouTube  
<https://youtu.be/3BiN9mc5Tmw?t=535>

### **Fuente de alimentación**

El entrenador se alimenta desde una fuente de alimentación externa. Consulte la ilustración para ubicar la entrada de alimentación del entrenador. (Fig. E-1)

#### **!!** NOTA

- Conecte la fuente de alimentación al entrenador antes de enchufarlo a una toma de corriente de la pared.
- Quite siempre el cable de alimentación cuando no utilice la máquina.

### **Ajuste de la posición horizontal del asiento**

La posición horizontal del asiento se puede ajustar colocando el asiento en la posición adecuada. (Fig. E-2)

- Afloje el carril del asiento girando la palanca de liberación rápida en el sentido de las agujas del reloj.
- Desplace el asiento a la posición deseada.
- Apriete el carril del asiento girando la palanca de liberación rápida en el sentido de las agujas del reloj.

#### **!!** ATENCIÓN!

- La palanca de liberación rápida se acciona por resorte. Para restablecer la posición de la palanca, es necesario tirar de ella hacia abajo, volver a colocarla y soltarla de nuevo.

### **Ajuste de la posición del sillín vertical**

La posición del sillín vertical puede ajustarse situando el tubo del sillín en la posición deseada. (Fig. E-2)

Con la pierna casi recta, el arco del pie debe tocar el pedal en su punto más bajo.

- Afloje el pomo de ajuste del tubo del sillín.
- Mueva el tubo del sillín a la posición deseada.
- Apriete el pomo de ajuste del tubo del sillín.

### **Ajuste de la posición horizontal del manillar**

La posición horizontal del manillar puede ajustarse alejándolo o acercándolo al usuario para colocarlo en la posición deseada. (Fig. E-2)

- Afloje el bastidor de fijación del manillar girando la palanca de liberación rápida en el sentido de las agujas del reloj.
- Coloque el bastidor de fijación del manillar en la posición deseada.
- Apriete el bastidor de fijación del manillar girando la palanca de liberación rápida en el sentido de las agujas del reloj.

## !! ATENCIÓN!

- La palanca de liberación rápida se acciona por resorte. Para restablecer la posición de la palanca, es necesario tirar de ella hacia abajo, volver a colocarla y soltarla de nuevo.

### Ajuste de la altura del manillar

La altura del manillar se puede ajustar a la preferencia de altura del usuario para obtener la mejor altura y posición de ejercicio del usuario. (Fig. E-2)

- Apoye el manillar antes de aflojar el pomo de ajuste del manillar, afloje el pomo girándolo 2 vueltas completas en sentido contrario a las agujas del reloj y tire del pomo accionado por resorte.
- Sujete el pomo accionado por resorte tirando hacia fuera y mueva el manillar a la posición deseada.
- Cuando encuentre la altura deseada, suelte el pomo accionado por resorte y desplace el manillar ligeramente hacia arriba/abajo para asegurarse de que el pomo accionado por resorte encuentra la posición de fijación cerrada.
- Apriete firmemente el mando de ajuste del manillar girándolo en el sentido de las agujas del reloj.

### Perilla del freno de emergencia (Fig. G-2)

Para activar el freno de emergencia, presione a fondo y con fuerza la palanca tensora del freno.

### Cómo usar el pedal de doble función

Si tiene preguntas, le recomendamos que consulte a una tienda de bicicletas para obtener ayuda o consulte las instrucciones de su fabricante de calzado.

Cuando fije el taco, la línea central lateral deberá estar debajo del dorso del pie. Ajuste hacia delante y atrás a través de las ranuras de la suela de la zapatilla. Ajuste lateralmente a través de la holgura entre la arandela del taco y el propio taco. Apriete firmemente los tacos. La posición del taco se podrá ajustar con precisión, conforme a las preferencias personales, después de hacer una prueba. Puede que se requiera cierto tiempo para encontrar el ajuste óptimo del taco.

### Calapiés:

Todos los calapiés estándar se pueden agregar a los pedales. Use las instrucciones de fijación de piezas e instalación suministradas con los calapiés y asegúrese de que los tornillos de fijación están firmemente apretados antes de su uso.

### Para usar los pedales:

Encaje las zapatillas con tacos en los pedales colocando el taco entre las fijaciones mientras empuja hacia abajo.

Desenlájalas girando el talón hacia fuera lejos de la bicicleta de ejercicio.

La tensión de la fijación se puede ajustar y se deberá ajustar de tal manera que el taco y la zapatilla no se desenganchen cuando esté pedaleando. Use una llave Allen para girar los tornillos de ajuste, a la derecha para aumentar la tensión de la fijación y a la izquierda para reducirla.

## Consola



1. Pantalla
2. Soporte de tableta/libro
3. Botones

### ⚠ PRECAUCIÓN

- Mantenga la consola alejada de la luz solar directa.
- Seque la superficie de la consola cuando esté cubierta de gotas de sudor.
- No se apoye en la consola.
- Toque la pantalla únicamente con la punta del dedo. Asegúrese de no tocar la pantalla con las uñas ni objetos afilados.

### !! NOTA

- La consola pasa al modo de espera activa cuando la máquina no se usa durante 4 minutos.

### Funciones del monitor

#### Time (Tiempo)

- Si no se establece el valor objetivo, se continuará contabilizándose el tiempo.
- Al establecer el valor objetivo, se restará el tiempo del valor objetivo de tiempo hasta 0 con un sonido de alarma o un destello. El tiempo continuará contabilizándose si no se detiene el entrenamiento una vez alcanzado el objetivo.
- Rango: 0:00 ~ 99:59

#### Speed (velocidad):

- Muestra la velocidad actual durante el ejercicio.
- Rango: 0.0 ~ 99.9

#### RPM (revoluciones por minuto):

- Muestra las revoluciones por minuto durante el ejercicio
- Rango: 0 ~ 999

#### Pulse (Pulso)

- El pulso actual se presentará en pantalla después de 6 segundos de haber sido detectado por la consola.
- Si no hay ninguna señal de pulso durante 6 segundos, la consola mostrará "P".
- La alarma de pulso sonará cuando el pulso actual sea superior al pulso objetivo.
- Rango: 0-30 ~ 230 BPM.

#### Watt (Vatios)

- Muestra los vatios del ejercicio actual.
- Rango: 0 ~ 999

### **Distance (Distancia)**

- Si no se establece el valor objetivo, se continuará contabilizándose la distancia.
- Al establecer el valor objetivo, se restará la distancia del valor objetivo de distancia hasta 0 con un sonido de alarma o un destello.  
La distancia continuará contabilizándose si no se detiene el entrenamiento una vez alcanzado el objetivo.
- Rango: 0.00 ~ 99.99 KM.

### **Load**

- Muestra el ajuste del nivel de tensión, al ajustar la resistencia, durante 3 segundos.
- Rango: 1 ~ 32

### **Calories (Calorías)**

- Si no se establece el valor objetivo, se continuará contabilizándose calorías.
- Al establecer el valor objetivo, se restarán calorías del valor objetivo de calorías hasta 0 con un sonido de alarma o un destello. Las calorías continuarán contabilizándose si no se detiene el entrenamiento una vez alcanzado el objetivo.
- Rango: 0 ~ 9999 K.Calories.

### **!! NOTA**

- Estos datos son una guía aproximada para la comparación de distintas sesiones de ejercicios que no pueden utilizarse en tratamientos médicos.

### **Botones de funciones**

#### **Recovery**

- Prueba de estado de recuperación de ritmo cardíaco.

#### **Down**

- Disminuye el nivel de resistencia durante el ejercicio.
- Al establecer valores más bajos.

#### **Mode**

- Confirmar el establecimiento o selección.

#### **Up**

- Incrementa el nivel de Resistencia durante el ejercicio.
- Al establecer valores más elevados.

#### **Reset**

- Cuando presiona y mantiene durante 2 segundos, el monitor se reiniciará y comenzará desde el menú principal (todos los datos serán perdidos).
- Volver al menú principal durante el entrenamiento preestablecido o al finalizar.

#### **Start/ Stop**

- Comenzar el entrenamiento. Parar/ pausar el entrenamiento.

### **Funcionamiento**

#### **Encendido**

- Enchufe la fuente de alimentación para encender la computadora.
- Pulse cualquier tecla para encender la consola cuando se está en el modo dormir
- Empiece a pedalear para encender la consola cuando se está en el modo dormir.

### **Apagado**

- Si no se transmite ninguna señal al monitor durante 4 minutos, el monitor entrará en el modo DORMIR automáticamente.
- Desenchufe la fuente de alimentación para apagar la computadora directamente.

### **Programas**

#### **Inicio rápido**

- Pulse la tecla Start/ Stop para iniciar el entrenamiento sin ningún ajuste predeterminado.
- Use las flechas Up/ Down del dial para ajustar el nivel de resistencia durante el entrenamiento.

#### **Fin del entrenamiento**

- Pausa Start/ Stop en el modo de entrenamiento para detener o hacer una pausa en la sesión.  
Para reanudar el entrenamiento, pulse el botón Start/ Stop en el modo de pausa.
- Pulse la tecla Reset (en modo de pausa) para restablecer todos los datos del entrenamiento.
- Pulse y mantenga pulsada la tecla Reset durante 2 segundos para reiniciar la consola. (Se perderán los datos del entrenamiento activo)

#### **Modo Manual**

- Presionar el botón Up/ Down para seleccionar programa, elegir modo Manual y presionar el botón modo para introducir valor en el programa de modo manual.
- Presionar el botón Up/ Down para fijar el tiempo de entrenamiento, y presionar el botón Mode para confirmar.

### **!! NOTA**

- Una vez confirmado, puede también establecer: Distance, Calories, & Pulse.
- Si Establece más de un objetivo, el entrenamiento finalizará con el primer objetivo logrado.
- Deje un dato de objetivo en blanco y no se verá como un límite pre-Establecido.

- Presionar el botón Start/ Stop para comenzar el entrenamiento.
- Presionar el botón Up/ Down para ajustar los niveles de resistencia.
- Presionar el botón Start/ Stop para pausar el entrenamiento.
- Presionar el botón Reset para volver al menú principal (Los datos del entrenamiento activo se perderán).

#### **Modo Beginner (principiante)**

- Presionar el botón Up/ Down para seleccionar su programa de entrenamiento, elegir el modo Beginner y presionar el botón Mode para acceder al siguiente menú.
- Hay 4 modos de Beginner: Beginner 1 ~ 4. Seleccionar uno usando los botones Up/ Down y confirmar la selección presionando el botón Mode.
- Presionar el botón Up/ Down para fijar el tiempo de entrenamiento.
- Presionar el botón Start/ Stop para comenzar el entrenamiento.
- Presionar el botón Up/ Down para ajustar los niveles de resistencia.
- Presionar el botón Start/ Stop para pausar el entrenamiento.
- Presionar el botón Reset para volver al menú principal (Los datos del entrenamiento activo se perderán).

### **Modo Advance (avanzado)**

- Presionar el botón Up/ Down para seleccionar su programa de entrenamiento, elegir el modo Advance y presionar el botón Mode para acceder al siguiente menú.
- Hay 4 modos de Advance 1 ~ 4.. Seleccionar uno usando los botones Up/ Down y confirmar la selección presionando el botón Mode.
- Presionar el botón Up/ Down para fijar el tiempo de entrenamiento.
- Presionar el botón Start/ Stop para comenzar el entrenamiento.
- Presionar el botón Up/ Down para ajustar los niveles de resistencia.
- Presionar el botón Start/ Stop para pausar el entrenamiento.
- Presionar el botón Reset para volver al menú principal (Los datos del entrenamiento activo se perderán).

### **Modo Sporty (Deportivo)**

- Presionar el botón Up/ Down para seleccionar su programa de entrenamiento, elegir el modo Sporty y presionar el botón Mode para acceder al siguiente menú.
- Hay 4 modos de Sporty: Sporty 1 ~ 4. Seleccionar uno usando los botones Up/ Down y confirmar la selección presionando el botón Mode.
- Presionar el botón Up/ Down para fijar el tiempo de entrenamiento.
- Presionar el botón Start/ Stop para comenzar el entrenamiento.
- Presionar el botón Up/ Down para ajustar los niveles de resistencia.
- Presionar el botón Start/ Stop para pausar el entrenamiento.
- Presionar el botón Reset para volver al menú principal (Los datos del entrenamiento activo se perderán).

### **Modo Cardio**

- Presionar los botones Up/ Down para seleccionar el modo de entrenamiento, elegir el modo cardio y presionar el botón Mode para introducir los valores.
- Presionar los botones Up/ Down para fijar su edad y confirmar presionando el botón mode.
- Hay cuatro modos cardio para seleccionar:  
55% (Frecuencia cardiaca máx. =220-Años x55% )  
75% (Frecuencia cardiaca máx. =220-Años x75% )  
,90% (Frecuencia cardiaca máx. =220-Años x90% )  
TAG (objetivo ritmo cardiaco, del valor por defecto 100, botones Up/ Down para cambiar, y confirmar pulsando el botón mode). Seleccionar usando los botones Up/ Down y confirmar presionando el botón Mode.
- Presionar los botones Up/ Down para fijar el tiempo del entrenamiento, y presionar el botón Mode para confirmar.
- Presionar los botones Start/ Stop para pausar el entrenamiento.
- Presionar botón Reset para volver al menú principal (los datos del entrenamiento se perderán).

#### **!! NOTA**

- En el modo Cardio, la tensión se ajustará automáticamente a una insensibilidad en la que su ritmo cardíaco alcance el objetivo HRC predeterminado.
- Después de 6 segundos sin actividad, la pantalla mostrará "Pulse Input".

### **Watt (Modo Vatios)**

- Presionar el botón Up/ Down para seleccionar su programa de entrenamiento, elegir el modo Watt y presionar el botón Mode para acceder al siguiente menú.
- Utilice el selector Up/ Down para establecer el objetivo de Watt. 120 es el valor predeterminado  
Rango: 10~350  
confirme pulsando Mode.
- Presionar el botón Start/ Stop para comenzar el entrenamiento.
- Presionar el botón Up/ Down para ajustar los niveles de resistencia (Watt).
- Presionar el botón Start/ Stop para pausar el entrenamiento.
- Presionar el botón Reset para volver al menú principal (Los datos del entrenamiento activo se perderán).

En modo Vatios, la tensión se ajustará automáticamente a una insensibilidad en la que los Vatios alcancen el objetivo de vatios que se haya predeterminado.

#### **!! NOTA**

- El parámetro Vatios es un cálculo de las RPM y el nivel de tensión.  
Cuando las RPM sean más altas, la tensión será más baja.  
Cuando las RPM sean más bajas, la tensión será más alta.

### **Recovery (Recuperación)**

- La tecla de Recovery solo será válida si se detecta pulso.
- La HORA mostrará „0:60” (segundos) y contará hacia abajo hasta 0.
- El ordenador mostrará F1 a F6 una vez finalizada la cuenta atrás para probar el estado de recuperación del ritmo cardíaco. El usuario podrá encontrar el nivel de recuperación del ritmo cardíaco según la tabla siguiente.
- Pulse la tecla Recovery nuevamente para volver al principio.

#### **Cómo leer el resultado de la prueba.**

El resultado se basa en su condición de frecuencia cardíaca. Al estar activo, su ritmo cardíaco aumenta en pulsaciones por minuto (ppm). Al finalizar el entrenamiento, el ritmo cardíaco se estabilizará al nivel normal. Cuanto más rápido se estabilice el ritmo cardíaco, mejor será su estado cardíaco.

Si su ritmo cardíaco desciende al menos 50 ppm en el minuto de prueba, su resultado será F1.

Si su ritmo cardíaco desciende entre 41~50 ppm en el minuto de prueba, su resultado será F2.

Y así sucesivamente.

F1	Extraordinario	50+ ppm
F2	Excelente	41 ~ 50 ppm
F3	Bien	31~ 40 ppm
F4	Suficiente	21 ~ 30 ppm
F5	Por debajo de la media	11 ~ 20 ppm
F6	Mal	0 ~ 10 ppm

#### **!! ATENCIÓN!**

- Si su ritmo cardíaco aumenta en el minuto de prueba, también indicará F6.
- Al entrar en el modo de recovery se hará una pausa al ejercicio.
- Pulse Start/ Stop para continuar el entrenamiento cuando salga del modo de Recovery o pulse la tecla Reset para volver al menú de inicio.

## **Bluetooth & APP**

- Esta consola puede conectarse con una App de un dispositivo móvil inteligente vía Bluetooth (iOS & Android)
- Establezca la conexión Bluetooth sólo a través del modo de conexión en la aplicación instalada en su teléfono smart.
- Cuando la consola se haya conectado al dispositivo inteligente vía Bluetooth, la consola se apagará.

### **!! NOTA**

- Tunturi solo ofrece la opción de conectar su consola de ejercicios físicos mediante conexión Bluetooth. Por tanto, Tunturi no se hace responsable por posibles daños o funcionamiento incorrecto de productos que no sean de la marca Tunturi.
- Consulta el sitio web para obtener información adicional

Esta consola puede recibir un transmisor de frecuencia cardíaca Bluetooth. No es necesario vincular el dispositivo, ya que la consola detectará automáticamente el transmisor de frecuencia cardíaca cuando esté dentro del rango.

## **Limpieza y mantenimiento**

La máquina no requiere un mantenimiento especial. No es necesario recalibrar la máquina cuando ésta se ha montado, utilizado y mantenido según las instrucciones.

### **⚠ ADVERTENCIA**

- Antes de la limpieza y el mantenimiento, retire el adaptador.
  - No utilice disolventes para limpiar la máquina.
  - La limpieza y el mantenimiento por parte del usuario no deberán ser realizados por niños sin supervisión.
- Limpie la máquina con un paño suave y absorbente tras cada uso.
  - Compruebe periódicamente que todos los tornillos y las tuercas estén apretados.
  - En caso necesario, lubrique las juntas.

## **Defectos y fallos**

A pesar del control de calidad continuo, la máquina puede presentar defectos y fallos ebidos a piezas individuales. En la mayoría de los casos, será suficiente sustituir la pieza defectuosa.

- Si la máquina no funciona correctamente, contacte inmediatamente con su proveedor.
- Facilite al proveedor el número de modelo y el número de serie de la máquina. Indique la naturaleza del problema, las condiciones de uso y la fecha de compra.

### **Solución de problemas:**

- Si la pantalla LCD está oscurecida, significa que las pilas deben cambiarse.
- Si no hay señal al pedalear, por favor compruebe que el cable esté bien conectado.

### **!! NOTA**

- Al detener el entrenamiento durante 4 minutos, la pantalla principal se apagará.
- Si el ordenador presenta información anormal en pantalla, por favor vuelva a instalar las pilas y prueba de nuevo.

### **Sensación inestable o inestable durante el uso**

Si la máquina se siente inestable o inestable durante la operación, se recomienda ajustar los pies de apoyo para que el marco alcance la altura correcta. Lea las instrucciones en este manual en la sección: "Uso"

## **Transporte y almacenamiento**

### **⚠ ADVERTENCIA**

- Al menos dos personas deben transportar y mover la máquina.
- Hay que colocarse de pie delante de la máquina en cada lado y agarrar bien por los manillares. Levante la parte delantera de la máquina para poder levantar la parte trasera sobre las ruedas. Mueva la máquina y bájela con cuidado. Coloque la máquina sobre una base protectora para evitar daños en la superficie del suelo.
  - Mueva la máquina con cuidado sobre superficies irregulares. No suba la máquina por las escaleras usando las ruedas; transporte la máquina por los manillares.
  - Almacene la máquina en un lugar seco con la menor variación de temperatura posible.

## **Garantía**

### **Garantía del propietario del equipo Tunturi**

#### **Condiciones de la garantía**

El cliente tiene derecho a los beneficios jurídicos aplicables recogidos en la legislación nacional relativa al comercio de bienes de consumo. Esta garantía no restringe dichos beneficios. La garantía del cliente solo será válida si se utiliza el producto en un entorno autorizado por Tunturi New Fitness BV y se mantiene tal como se indica para el equipo concreto. Las instrucciones de mantenimiento y medioambientales aprobadas específicas del producto se indican en el "manual del usuario" del producto. El "manual de usuario" se puede descargar en nuestro sitio web. <http://manuals.tunturi.com>

#### **Términos de la garantía**

Los términos de la garantía comenzarán el día de la compra. Los términos de garantía pueden variar por país, así que consulte con su distribuidor local para ver cuáles son los términos de la garantía.

#### **Cobertura de la garantía**

Tunturi New Fitness BV o los distribuidores Tunturi no responderán en ninguna circunstancia a causa de esta garantía por los eventuales daños indirectos, secundarios, resultantes o especiales de ningún tipo derivados del uso o la imposibilidad de uso de este equipo.

#### **Restricciones a la garantía**

La garantía cubre los fallos debidos a la fabricación y los materiales en un equipo de ejercicio que esté en su ensambladura original. La garantía cubre solamente defectos que se manifiesten durante un uso normal, conforme a las instrucciones dadas en la guía suministrada con el equipo, a condición de que se hayan observado las instrucciones de montaje, mantenimiento y utilización proporcionadas por Tunturi. Tunturi New Fitness BV y los distribuidores Tunturi no pueden responder de fallos ocasionados por circunstancias ajenas a su control. La presente garantía sólo es válida para el comprador original del equipo de ejercicio y tiene vigencia solamente en los países en los que Tunturi New Fitness BV cuenta con un importador autorizado. La garantía no cubre los equipos de ejercicio o sus partes que hayan sido modificados sin el consentimiento previo de Tunturi New Fitness BV. La garantía no cubre fallos derivados del desgaste normal, de un uso indebido, de su uso en condiciones para las que el equipo no ha sido concebido, corrosión o daños sufridos durante la carga o el transporte.

La garantía no cubre los sonidos o ruidos emitidos durante el uso que no impidan de forma sustancial la utilización del equipo y que no estén provocados por un fallo del mismo

La garantía no cubre las actividades de mantenimiento tales como limpieza, lubricación o el ajuste normal de las piezas, ni los procedimientos de instalación que el cliente pueda realizar por sí mismo y que no requieran un desmontaje / montaje especial del equipo de ejercicio. Estos procedimientos son, por ejemplo, el cambio de contadores, pedales o de otras piezas simples similares. No se reembolsarán las reparaciones realizadas durante el periodo de garantía por agentes no autorizados por Tunturi. Si no se siguen adecuadamente las instrucciones dadas en el Manual del Propietario se invalidará la garantía del producto.

## Datos técnicos

Parámetro	Unidad de medición	Valor
Longitud	cm	156.0
	inch	61.4
Anchura	cm	59.0
	inch	23.2
Altura	cm	142.0
	inch	55.9
Peso	kg	53.2
	lbs	117.3
Peso máx. del usuario	kg	180
	lbs	397
Especificaciones de salida del transformador	Voltaje	9V-DC
	Amperio	2.0 A
Medición de la frecuencia auditiva disponible a través de:	Contacto manual	Sí
	5.0 KHz	No
	5,3 KHz.	No
	Bluetooth (BLE)	Sí
	ANT +	No

### !! ATENCIÓN!

- Para conocer las dimensiones del producto y las dimensiones funcionales, consulte la ilustración H.

## Declaración del fabricante

Tunturi New Fitness BV declara que el Platinum S20 Bicicleta de spinning es conforme con las siguientes normas y directivas:

- Directiva RoHS (2011/65/EU)
- Reglamento General de Seguridad de los Productos (GPSR) – (EU) 2023/988

Por la presente, Tunturi New Fitness BV declara que el equipo de radio tipo Entrenador de Platinum S20 Bicicleta de spinning cumple con la Directiva 2014/53/EU.

La declaración de conformidad, que incluye todas las normas y directivas, se puede descargar en nuestro sitio web: <https://doc.tunturi.com>

Tunturi New Fitness BV  
Purmerweg 1  
1311 XE Almere  
Los países bajos

## Descargo de responsabilidad

© 2025 Tunturi New Fitness BV  
Reservados todos los derechos.

- Tanto el producto como el manual están sujetos a modificaciones.
- Las modificaciones se pueden cambiar sin aviso.
- Consulte nuestra página web para descargar la versión del manual de usuario más reciente.

## På svenska

Denna handbok är en översättning av den engelska texten. Vi förbehåller oss rätten till eventuella översättningsfel. Den engelska originaltexten råder.

## Index

<b>Välkommen</b> .....	<b>68</b>
<b>Säkerhetsvarningar</b> .....	<b>68</b>
Elsäkerhet.....	69
<b>Monteringsanvisningar</b> .....	<b>69</b>
Beskrivning illustration A.....	69
Beskrivning illustration B .....	69
Beskrivning illustration C.....	69
Beskrivning illustration D.....	69
Ytterligare monteringsinformation .....	69
Ytterligare information .....	69
Fritt träningsutrymme (Fig. D-0).....	69
<b>Träning</b> .....	<b>70</b>
Övning Instruktioner.....	70
Hjärtfrekvens .....	70
<b>Användning</b> .....	<b>71</b>
Justera stödfötterna .....	71
Strömförsörjning.....	71
Justera sadeln i sidled.....	71
Ställa in vertikalt sadelläge.....	71
Justera styrets horisontella läge.....	71
Justera styrets höjd .....	71
Nödstoppsknapp (bild G).....	71
Så här använder du pedalerna i ett av två möjliga.....	71
<b>Panel</b> .....	<b>72</b>
Förklaring av displayfunktioner .....	72
Förklaring av knappar.....	72
Manövrering .....	72
<b>Program</b> .....	<b>73</b>
Snabbstart.....	73
Avsuta ditt träningspass .....	73
Manuellt läge .....	73
Beginner mode .....	73
Advance mode.....	73
Sporty mode .....	73
Cardio mode .....	73
Watt mode .....	73
Recovery.....	74
Bluetooth & APP .....	74
<b>Rengöring och underhåll</b> .....	<b>74</b>
Fel och funktionsstörningar.....	74
<b>Transport och lagring</b> .....	<b>74</b>
<b>Garanti</b> .....	<b>75</b>
<b>Teknisk information</b> .....	<b>75</b>
<b>Försäkran från tillverkaren</b> .....	<b>75</b>
<b>Friskrivning</b> .....	<b>75</b>

## Välkommen

Välkommen till Tunturi Fitness värld!

Tack för att du köpte denna utrustning från Tunturi. Tunturi erbjuder ett stort utbud av professionell träningsutrustning, exempelvis crosstrainers, löpband, träningscyklar, roddmaskiner, styrka bänkar och flera stationer. Utrustning från Tunturi passar hela familjen, oavsett träningsnivå. Mer information finns på vår webbplats, [www.tunturi.com](http://www.tunturi.com)

### Viktiga instruktioner om säkerhet

Läs noga igenom denna handbok innan du monterar,, använder eller reparerar ditt nya träningsredskap. Spara denna handbok; den innehåller information som du behöver nu och i framtiden för att använda och underhålla ditt redskap. Följ alltid dessa instruktioner noggrant.

## Säkerhetsvarningar

### ⚠ VARNING

- Läs säkerhetsvarningarna och instruktionerna. Om inte säkerhetsvarningarna och instruktionerna följs kan det medföra skador på personer eller utrustningen. Behåll säkerhetsvarningarna och instruktionerna för framtida bruk.

### ⚠ VARNING

- System för övervakning av hjärtfrekvensen är inte alltid exakta. Överträning kan medföra allvarlig skada eller död. Sluta omedelbart att träna om du känner dig svag.
- Utrustningen är lämplig för hemmet och för professionellt bruk (t.ex. sjukhus, brandstationer, hotell, skolor etc.).
- Denna apparat kan användas av barn från 8 år och uppåt och personer med nedsatt fysisk, sensorisk eller mental förmåga eller bristande erfarenhet och kunskap om de har övervakats eller fått instruktioner om hur apparaten används på ett säkert sätt och förstår de risker som är förknippade med den.
- Barn bör övervakas för att säkerställa att de inte leker med apparaten.
- Innan du påbörjar din träning, uppsök en läkare som kan kontrollera din hälsa.
- Om du upplever illamående, yrsel eller andra onormala symptom, avsluta genast din träning och kontakta en läkare.
- Börja varje träningspass med att värma upp och avsluta varje träningspass med nedvarning för att undvika muskelsmärter och sträckningar. Kom ihåg att stretcha i slutet av träningen.
- Utrustningen är endast anpassad för användning inomhus. Utrustningen är inte anpassad för användning utomhus.
- Använd endast utrustningen i miljöer med god ventilation. Använd inte utrustningen i dragiga miljöer för att undvika att bli förkyld.
- Använd endast utrustningen i miljöer med temperatur mellan 10°C~35°C/ 50°F~95°F. Förvara endast utrustningen i miljöer med temperatur mellan 5°C~45°C/ 41°F~113°F.
- Använd inte och förvara inte utrustningen i fuktig miljö. Luftfuktigheten får aldrig överstiga 80%.
- Använd endast utrustningen för dess avsedda ändamål. Använd inte utrustningen för andra ändamål än de som beskrivs i handboken.
- Använd inte den här utrustningen om någon del är trasig eller skadad. Om någon del är trasig eller skadad, kontakta din återförsäljare.
- Håll undan händer, fötter och andra kroppsdelar från de rörliga delarna.
- Håll undan håret från de rörliga delarna.
- Bär passande kläder och skor.

- Håll undan kläder, smycken och andra föremål från de rörliga delarna.
- Låt bara en person åt gången använda utrustningen. Utrustningen får inte användas av personer som väger mer än 180kg (397 lbs).
- Öppna inte utrustningen utan att kontakta din återförsäljare.

### Elsäkerhet

- Före användning, kontrollera alltid att nätspänningen är densamma som spänningen på utrustningens märkplåt.
- Använd inte en förlängningssladd.
- Håll strömkabeln borta från värme, olja och vassa kanter.
- Ändra inte strömkabeln eller kontakten.
- Använd inte utrustningen om strömkabeln eller kontakten är trasig eller skadad. Om strömkabeln eller kontakten är trasig eller skadad, kontakta din återförsäljare.
- Rulla alltid ut strömkabeln helt.
- Dra inte strömkabeln under utrustningen. Dra inte strömkabeln under en matta. Placera inte några föremål på strömkabeln.
- Kontrollera att strömkabeln inte hänger över en bordskant. Kontrollera att strömkabeln inte kan komma åt avsiktligt eller snubblas över.
- Lämna inte utrustningen oövervakad med kontakten instoppad i vägguttaget.
- Dra inte i strömkabeln för att avlägsna kontakten från vägguttaget.
- Avlägsna stickkontakten från vägguttaget när utrustningen inte används, innan den monteras eller monteras isär och innan den rengörs eller underhålls.

### VARNING

- Använd aldrig vatten eller någon annan vätska direkt på eller i närheten av utrustningen, utan använd endast en fuktig trasa om du behöver rengöra maskinen med fukt.
- Att använda vätska direkt är skadligt för utrustningens komponenter och kan leda till en elstöt orsakad av en kortslutning. Detta kan leda till allvarlig personskada eller till och med dödsfall.
- Apparaten får endast användas med den nätadapter som medföljer apparaten.

## Monteringsanvisningar

### Beskrivning illustration A

På illustrationen kan du se hur träningsredskapet ska se ut efter att monteringen har slutförts. Du kan använda illustrationen som referens under monteringen, men följ alltid stegen i monteringsinstruktionerna i rätt ordning.

### Beskrivning illustration B

På illustrationen kan du se vilka komponenter och delar som du ska hitta när du packar upp produkten.

### OBS!

- Små delar kan ligga gömda/vara nedpackade i ihåliga utrymmen i produktskyddet av polystyren.

### Beskrivning illustration C

På illustrationen visas de monteringsdelar som följer med produkten. Monteringsdelarna omfattar bultar, brickor, skruvar, muttrar etc. och de verktyg du behöver för att kunna montera träningsredskapet korrekt.

### Beskrivning illustration D

På illustrationerna visas i rätt ordning hur träningsredskapet ska monteras.

### VARNING

- Montera utrustningen i angiven ordning.
- Var två om att bära och förflytta utrustningen.

### OBS.

- Placera utrustningen på en stabil och jämn yta.
- Placera utrustningen på en skyddande grund för att förhindra att golvet skadas.
- Illustrationerna visar det korrekta sättet att montera utrustningen.

### Ytterligare monteringsinformation

#### **D5 Hur ska pedalerna sättas fast korrekt.**

### OBS!

- Höger och vänster anges sett utifrån hur du sitter när du tränar.

#### **Högra pedalen**

- Leta efter markeringen "R" eller "L" på pedalaxeln
- Fäst den högra pedalen "R" på det högra vevpartiet.
- Vrid först pedalaxeln medurs för hand.
- Använd skiftnyckeln för att dra fast pedalen ordentligt.

#### **Vänstra pedalen**

- Fäst den vänstra pedalen "L" på det vänstra vevpartiet.
- Vrid först pedalaxeln moturs för hand.
- Använd skiftnyckeln för att dra fast pedalen ordentligt.



Klicka för att se vår stödjande YouTube-video  
<https://youtu.be/3BiN9mc5Tmw?t=101>

### ANMÄRKNING

- Spara verktygen som följer med denna produkt när monteringen är klar så att du kan använda dem för framtida servicearbeten.

### Ytterligare information

#### **Bortskaffande av förpackning**

Riktlinjer från myndigheter uppmanar att vi minskar mängden avfall som placeras i deponier. Vi ber dig därför att bortskaffa allt förpackningsavfall på ett ansvarsfullt sätt på allmänna återvinningscentraler.

#### **Bortskaffande av uttjänt redskap**

Vi på Tunturi hoppas att du får många års trevlig användning av ditt träningsredskap. Men det kommer en tid när ditt träningsredskap är uttjänt. Enligt den europeiska WEEE-lagstiftningen, ansvarar du för korrekt bortskaffande av ditt träningsredskap på en allmän återvinningsanläggning.

#### **Fritt träningsutrymme (Fig. D-0)**

##### **Framsidan av utrustningen**

Se till så att det finns minst 30 cm fritt utrymme framför utrustningen.

- Det fria träningsutrymmet för denna del kan delas med annan utrustning av samma slag genom att placera dem vända mot varandra.

##### **Sidan av utrustningen.**

Se till så att det finns minst 60 cm fritt utrymme på varje sida av utrustningen.

- Det fria träningsutrymmet för denna del kan delas med annan utrustning av samma slag genom att placera dem vända mot varandra.

## Baksidan av utrustningen

Se till så att det finns minst 200 cm fritt utrymme bakom utrustningen.

- Det fria träningsutrymmet för denna del kan inte delas med annan utrustning av samma slag. Det extra lediga utrymmet som krävs beror på orienteringen av utrustningarna och bör vara summan av båda värdena.

## Träning

Träningen måste vara lagom lätt, men hålla på länge. Aerobisk träning är till för att förbättra kroppens maximala syreupptag, vilket förbättrar uthålligheten och konditionen. Du ska svettas, men du ska inte bli andfådd under träningen. För att uppnå och behålla en grundkondition, träna åtminstone tre gånger i veckan, 30 minuter åt gången. Öka antalet träningspass för att förbättra din kondition. Det är bra att kombinera regelbunden träning med hälsosam kost. En person som har bestämt sig för att banta bör träna dagligen, 30 minuter eller mindre till en början och sedan öka den dagliga träningstiden till en timme. Börja din träning i låg hastighet och med lågt motstånd för att förhindra att hjärtkärlets utsäts för kraftig belastning. När konditionen förbättras, kan hastigheten och motståndet ökas gradvis. Din tränings effektivitet kan mätas genom att kontrollera din hjärtfrekvens och din puls.

## Övning Instruktioner

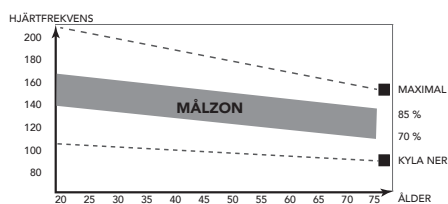
Användningen av ditt träningsredskap kommer att ge dig många fördelar; det kommer att förbättra din fysiska kondition, tona musklerna och tillsammans med en kalorikontrollerad diet hjälpa dig att gå ned i vikt.

## Uppvärmningsfasen

Denna fas får blodet att börja pumpa runt i kroppen och förbereder musklerna på aktivitet. Den minskar även risken för kramp och muskelskada. Det är tillrådligt att göra några stretchövningar som visas nedan. Varje stretchövning ska hållas i ungefär 30 sekunder. Tvinga eller tryck inte in musklerna i en stretchövning. Om det gör ont, SLUTA

## Träningsfasen

Detta är fasen där du jobbar. Efter regelbunden användning, kommer musklerna i dina ben att bli mer flexibla. I denna fas är det mycket viktigt att bibehålla ett jämnt tempo från början till slut. Ansträngningsnivån ska vara tillräcklig för att höja din puls till målzonen som visas i nedanstående figur



Denna fas bör pågå i minst 12 minuter, även om de flesta börjar med ungefär 15-20 minuter.

## Nedvarningsfasen

Under denna fas får ditt kardiovaskulära system och dina muskler varva ned.

Den är en upprepning av uppvärmningsövningen, t.ex. minska ditt tempo, fortsätt i ca 5 minuter. Stretchövningarna ska nu upprepas. Kom ihåg att inte tvinga eller trycka in musklerna i stretchövningen. När du blir mer vältränad, kan du träna längre och hårdare. Vi rekommenderar att träna minst tre gånger i veckan, och, om möjligt, fördela dina träningsstillfällen jämnt under hela veckan.

## Muskeltoning

För att tona musklerna när du använder träningsredskapet, måste du ställa in en ganska hög belastning. Detta belastar benmusklerna mer och kan innebära att du inte kan träna så länge som du vill. Om du även försöker förbättra din kondition, måste du ändra ditt träningsprogram. Du bör träna som vanligt under uppvärmnings- och nedvarningsfaserna, men mot slutet av träningsfasen kan du öka belastningen så att dina ben får jobba hårdare. Du måste minska hastigheten för att hålla pulsen i målzonen.

## Viktminskning

Den viktigaste faktorn här är hur mycket du anstränger dig. Ju hårdare och längre du tränar, desto fler kalorier bränner du. Detta är i princip detsamma som om du tränade för att förbättra din kondition, skillnaden är målet.

## Hjärtfrekvens

### Hjärtfrekvensmätning (pulsbälte)

#### !! ANMÄRKNING

- Ett bröstband är inte standard med denna tränare. När du gillar att använda ett trådlöst bröstband måste du köpa detta som tillbehör.

Den mest exakta mätningen av hjärtfrekvensen uppnås med ett pulsband. Hjärtfrekvensen mäts av en hjärtfrekvensmottagare i kombination med ett pulsband med sändare. Korrekt pulsmätning kräver att elektroderna på sändarbandet är en aning fuktiga och i ständig kontakt med skinnet. Om elektroderna är för torra eller för fuktiga kan pulsmätningen bli mindre exakt.

#### ⚠ VARNING

- Kontakta en läkare innan du använder ett pulsband om du har pacemaker.

#### ⚠ OBS.

- Om det finns flera enheter för hjärtfrekvensmätning bredvid varandra, kontrollera att avståndet mellan dem är minst 2 meter.
- Om det bara finns en hjärtfrekvensmottagare och flera hjärtfrekvenssändare, kontrollera att bara en person med sändare är inom mottagningsområdet.

#### !! ANMÄRKNING

- Bär alltid pulsbandet under dina kläder, i direktkontakt med huden. Bär inte pulsbandet utanpå kläderna. Om du bär pulsbandet utanpå kläderna kommer det inte att bli någon signal.
- Om du har ställt in en begränsning av hjärtfrekvensen för din träning, kommer ett larm att ljuda när den överskrids.
- Sändaren sänder hjärtfrekvensen till panelen upp till ett avstånd på 1,5 meter. Om elektroderna inte är fuktiga, kommer inte hjärtfrekvensen att visas på displayen.
- Vissa klädfibrer (t.ex. polyester eller polyamid) skapar statisk elektricitet som kan förhindra en korrekt mätning av hjärtfrekvensen.
- Mobiltelefoner, tv-apparater och andra elektriska apparater skapar ett elektromagnetiskt fält som kan förhindra en korrekt mätning av hjärtfrekvensen.

## Maximal hjärtfrekvens (under träning)

Den maximala hjärtfrekvensen är den högsta hjärtfrekvens en person säkert kan få vid träning. Följande formel används för att beräkna den genomsnittliga maximala hjärtfrekvensen:  $220 - \text{ÅLDER}$ . Den maximala hjärtfrekvensen varierar från person till person.

#### ⚠ VARNING

- Kontrollera att du inte överskrider din maximala hjärtfrekvens under din träning. Kontakta en läkare om du tillhör en riskgrupp.

**Nybjörjarnivå****50-60% av den maximala hjärtfrekvensen**

Passar nybjörjare, viktväktare, konvalescenter och personer som inte har tränat på länge. Träna åtminstone tre gånger i veckan, 30 minuter åt gången.

**Avanceradnivå****60-70% av den maximala hjärtfrekvensen**

Passar personer som vill förbättra och underhålla konditionen. Träna åtminstone tre gånger i veckan, 30 minuter åt gången.

**Expert****70-80% av den maximala hjärtfrekvensen**

Passar de mest vältränade, som är vana vid långa och tunga träningspass.

**Användning****Justera stödfötterna**

Utrustningen är utrustad med justerbara stödfötter. Om utrustningen känns instabil, ranglig eller inte är korrekt planad, kan dessa stödfötter justeras för att göra nödvändiga korrigeringar.

- Vrid stödfötterna inåt/utåt efter behov för att placera utrustningen i ett stabilt och så plant läge som möjligt. )
- Dra åt låsmuttrarna\* för att låsa stödfötterna.

**!! OBS**

- Utrustningen är mest stabil när den är så nära golvet som möjligt. Börja därför att plana ut utrustningen genom att vrida alla stödfötter helt inåt innan du vrider utåt de stödfötter som krävs för att stabilisera och plana ut utrustningen.



Klicka för att se vår stödjande YouTube-video  
<https://youtu.be/3BiN9mc5Tmw?t=535>

**Strömförsörjning**

Träningsredskapet försörjs av en extern strömkälla. Illustrationen visar strömingången på träningsredskapet. (Fig. E-1)

**!! ANMÄRKNING**

- Anslut strömförsörjningen till träningsredskapet innan det ansluts till vägguttaget.
- Dra alltid ut sladden när maskinen inte används.

**Justera sadeln i sidled**

Sadelns position kan justeras i sidled genom att ställa in sadeln i önskat läge. (Fig. E-2)

- Lossa sadelröret genom att vrida snabbkopplingsspaken medurs.
- Flytta sadeln till önskad position.
- Dra åt sadelröret genom att vrida snabbkopplingsspaken medurs.

**!! OBS!**

- Snabbkopplingsspaken är fjäderbelastad. För att återställa spakens läge kan du dra ner spaken, flytta den och släppa den igen.

**Ställa in vertikalt sadelläge**

Det vertikala sadelläget kan ställas in genom att placera sadelstängan i önskat läge. (Fig. E-2)

Med benet nästan rakt måste fotvalvet vidröra pedalen på dess lägsta punkt.

- Lossa vredet för justering av sadelstängan.
- Flytta sadelstängan till önskat läge.
- Drag åt vredet för justering av sadelstängan.

**Justera styrets horisontella läge**

Styrets horisontella läge kan justeras genom att ställa in det längre bort från eller närmare användaren i önskat läge. (Fig. E-2)

- Lossa styrets fästram genom att vrida snabbkopplingsspaken medurs.
- Flytta styrets fästram till önskad position.
- Dra åt styrets fästram genom att vrida snabbkopplingsspaken medurs.

**!! OBS!**

- Snabbkopplingsspaken är fjäderbelastad. För att återställa spakens läge kan du dra ner spaken, flytta den och släppa den igen.

**Justera styrets höjd**

Styrets höjd kan justeras efter användarens längd för att få bästa höjd och träningsposition för användaren. (Fig. E-2)

- Stöd styret innan du lossar styrets justeringsvred. Lossa vredet genom att vrida det 2 hela varv moturs och dra ut den fjäderbelastade knoppen.
- Håll den fjäderbelastade knoppen utdragen och flytta styret till önskat läge.
- Vid önskad höjd, släpp den fjäderbelastade knoppen och flytta styret något upp/ned för att säkerställa att den fjäderbelastade knoppen hamnar i det fasta fixeringsläget.
- Dra åt styrets justeringsvred ordentligt genom att vrida det medurs.

**Nödstoppsknapp (bild G)**

För att aktivera nödbromsen, tryck ner bromsspänningsspaken ordentligt.

**Så här använder du pedalerna i ett av två möjliga**

För närmare beskrivning rekommenderas att rådfråga en återförsäljare eller läsa instruktionerna som kom med dina cykelskor.

När du klickar fast skorna på pedalerna ska pedalens mittlinje och mitten på fotens trampdyna vara i linje. Detta kan justeras i längdriktningen falsen i skosulan. Justera i längdriktningen med spelrummet i klämman. Spänn fast spännena ordentligt. Spännespositionen kan med fördel finjusteras efter hand. Det kan ta ett tag innan du hittar den perfekta positionen.

**Tåclips:**

Alls standard tåclips kan fästas på pedalerna. Använd monteringsmaterial och installationsinstruktionerna som kom med tåclipsen och se till att se sitter fast ordentligt innan du använder dem.

**Använda pedalerna:**

Klicka fast cykelskorna i bindningarna och tryck ned. Koppla ur genom att vrida hälen utåt från cykeln. Bindningsspänningen är justerbar och måste vara tillräcklig så att skon inte kan lossna från pedalen under cyklingen. Använd en insexnyckel och vrid medurs för att öka spänningen och motsols för att minska spänningen.

## Panel



1. Skärm
2. Bok/ tablett rack
3. Knappar

### ⚠ OBS

- Skydda panelen från direkt solljus.
- Torka av panelens yta när den är täckt av svettdroppar.
- Luta dig inte mot panelen.
- Vidrör endast displayen med din fingertopp. Var noga med att inte dina naglar eller vassa föremål vidrör displayen.

## Förklaring av displayfunktioner

### Time (Tid)

- Om målvärdet inte ställs in kommer tiden att räknas nerifrån och upp.
- Om målvärdet ställs in kommer tiden att räknas ner från din måltid till 0 och ett larm ljuda eller blinka. Tiden kommer att fortsätta räkna nerifrån och upp om träningen inte avslutas efter att målet har nåtts.
- Område 0:00~99:59

### Speed

- Visar aktuell träningshastighet.
- Område 0.0 ~ 99.9

### RPM

- Visar varv per minut
- Område 0 ~ 999

### Pulse

- Aktuell puls visas efter 6 sekunder efter att den detekterats av panelen.
- Utan pulssignal i 6 sekunder visar konsolen "P".
- Pulslarmet ljuder när aktuell puls ligger över målpulsen.
- Område: 0-30 ~ 230 BPM.

### Watt

- Visa aktuell tränings-watts
- Område: 0 ~ 999

### Distance

- Om målvärdet inte ställs in kommer avståndet att räknas nerifrån och upp.

- Om målvärdet ställs in kommer avståndet att räknas ner från ditt målavstånd till 0 och ett larm ljuda eller blinka. Avståndet kommer att fortsätta räkna nerifrån och upp om träningen inte avslutas efter att målet har nåtts.
- Område: 0.00 ~ 99.99 KM.

### Load

- Visar inställning av spänningsnivå när du ställer in motståndet i 3 sekunder.
- Område: 1 ~ 32

### Calories

- Om målvärdet inte ställs in kommer kalorierna att räknas nerifrån och upp.
- Om målvärdet ställs in kommer kalorierna att räknas ner från ditt målkalorivärde till 0 och ett larm ljuda eller blinka. Kalorier kommer att fortsätta räknas nerifrån och upp om träningen inte avslutas efter att målet har nåtts.
- Område: 0~9999

### !! OBS

- Dessa data är en ungefärligt värde för att kunna jämföra olika övningsessioner och kan inte användas inom medicinsk behandling

## Förklaring av knappar

### Recovery

- När panelen detekterar en pulssignal trycker du på knappen RECOVERY för att gå till läget RECOVERY för att övervaka hjärtfrekvensens återhämtningsförmåga

### Down

- Minska motståndet
- Tryck på ratten för att minska värdet.

### Mode

- Välj funktion genom att trycka på knappen MODE.

### Up

- Öka motståndet.
- Tryck på ratten för att öka värdet.

### Reset

- I inställningsläget trycker du på knappen RESET en gång för att återställa aktuella funktionssiffror.
- Tryck på knappen RESET och håll den intryckt i 2 sekunder för att återställa alla funktionssiffror.

### Start/ Stop

- Starta eller stoppa ( paus ) träning.

## Manövrering

### Ström på

- Anslut strömförsörjningen till datorn.
- Tryck på valfri knapp för att sätta på strömmen om enheten befinner sig i läget SLEEP.
- Börja trampa för att sätta på panelen om den befinner sig i viloläget.

### Ström av

- Om ingen signal har överförts till monitorn inom 4 minuter kommer monitorn att gå till läget SLEEP automatiskt.
- Koppla ur strömförsörjningen direkt till datorn.

## Program

### Snabbstart

- Tryck på Start/ Stop för att starta din träning utan förinställda värden.
- Justera motståndsnivån under träning med Up/ Down på skivan.

### Avsuta ditt träningspass

- Tryck på Start/ Stop i träningsläge för att stoppa/pausa ditt träningspass.  
Tryck på Start/ Stop i pausläge för att fortsätta ditt träningspass.
- Tryck på Reset (i pausläge) för att återställa alla träningsdata.
- Tryck och håll Reset nere i min. 2 sek för att återställa manöverbordet. (Aktiva träningsdata kommer att förloras)

### Manuellt läge

- Använd knappen Up/ Down för att välja träningsprogram, välj läget Manual och tryck på knappen Mode för att gå till nästa inmatning av inställning för programmet i det manuella läget.
- Använd knappen Up/ Down för att förinställa träningstiden och tryck på Mode för att bekräfta inställningen.

### !! OBS

- Efter bekräftelsen kan även följande ställas in: Distance, Calories, & Pulse.
  - Om mer än ett mål ställs in avslutas träningen vid de första uppnådda målen.
  - Om du lämnar ett mål tomt kommer det inte att ses som en förinställd gräns.
- Tryck på knappen Start/ Stop för att starta träningen.
  - Använd knappen Up/ Down för att justera motståndsnivån.
  - Tryck på Start/ Stop i träningsläget för att stoppa/pausa träningen. För att återuppta träningen, tryck på knappen Start/ Stop i pausläget.
  - Tryck och håll knappen Reset tryckt i över 2 sekunder för att återställa panelen. (Aktiva träningsdata går förlorade)

### Beginner mode

- Använd knappen Up/ Down för att välja träningsprogram, välj läget Beginner och tryck på lägesknappen för att mata in nästa inställning i programmet Beginner.
  - Använd knappen Up/ Down för att välja program Beginner 1 ~ 4 och tryck på Mode för att bekräfta.
  - Använd knappen Up/ Down för att ställa in tid.
- Tryck på knappen Start/ Stop för att starta träningen.
  - Använd knappen Up/ Down för att justera motståndsnivån.
  - Tryck på Start/ Stop i träningsläget för att stoppa/pausa träningen. För att återuppta träningen, tryck på knappen Start/ Stop i pausläget.
  - Tryck och håll knappen Reset tryckt i över 2 sekunder för att återställa panelen. (Aktiva träningsdata går förlorade)

### Advance mode

- Använd knappen Up/ Down för att välja träningsprogram, välj läget Advance och tryck på lägesknappen för att mata in nästa inställning i programmet Advance.
- Använd knappen Up/ Down för att välja program Advance 1~4 och tryck på Mode för att bekräfta.
- Använd knappen Up/ Down för att ställa in tid.

- Tryck på knappen Start/ Stop för att starta träningen.
- Använd knappen Up/ Down för att justera motståndsnivån.
- Tryck på Start/ Stop i träningsläget för att stoppa/pausa träningen. För att återuppta träningen, tryck på knappen Start/ Stop i pausläget.
- Tryck och håll knappen Reset tryckt i över 2 sekunder för att återställa panelen. (Aktiva träningsdata går förlorade)

### Sporty mode

- Använd knappen Up/ Down för att välja träningsprogram, välj läget Sporty och tryck på lägesknappen för att mata in nästa inställning i programmet Sporty.
  - Använd knappen Up/ Down för att välja program Sporty 1 ~ 4 och tryck på Mode för att bekräfta.
  - Använd knappen Up/ Down för att ställa in tid.
- Tryck på knappen Start/ Stop för att starta träningen.
  - Använd knappen Up/ Down för att justera motståndsnivån.
  - Tryck på Start/ Stop i träningsläget för att stoppa/pausa träningen. För att återuppta träningen, tryck på knappen Start/ Stop i pausläget.
  - Tryck och håll knappen Reset tryckt i över 2 sekunder för att återställa panelen. (Aktiva träningsdata går förlorade)

### Cardio mode

- Använd knappen Up/ Down för att välja träningsprogram, välj läget Cardio och tryck på lägesknappen för att mata in nästa inställning för programmet Cardio.
- Använd knappen Up/ Down för att ställa in ålder, tryck på Mode för att bekräfta.
- Använd knappen Up/ Down för att välja 55% (Högsta hjärtfrekvens =  $220 - \text{ålder} \times 55\%$ )  
75% (Högsta hjärtfrekvens =  $220 - \text{ålder} \times 75\%$ )  
90% (Högsta hjärtfrekvens =  $220 - \text{ålder} \times 90\%$ )  
TAG (Target H.R. \_ Default 100, Använd knappen Up/ Down för att ställa in tid, tryck på Mode för att bekräfta.
- Använd knappen Up/ Down för att ställa in tid, tryck på Mode för att bekräfta.
- Tryck på knappen Start/ Stop för att starta träningen
- Använd Reset för att gå tillbaka till huvudmenyn.

### !! OBS

- I Hjärtläge regleras spänningen automatiskt till en intensitet, där dina hjärtslag uppnår det förinställda HRC-målet.
- Efter 6 sekunder utan pulsingång, visar LCD "Pulse Input" för att meddela användaren.

### Watt mode

- Använd knappen Up/ Down för att välja träningsprogram, välj läget Watt och tryck på lägesknappen för att mata in nästa inställning i programmet Watt.
- Använd Up/ Down för att ställa in Watt-målet. 120 är förinställd standardnivå  
Område: 10~35,  
välj och bekräfta genom att trycka på Mode.
- Tryck på knappen Start/ Stop för att starta träningen.
- Använd knappen Up/ Down för att justera motståndsnivån (Watt).
- Tryck på Start/ Stop i träningsläget för att stoppa/pausa träningen. För att återuppta träningen, tryck på knappen Start/ Stop i pausläget.
- Tryck och håll knappen Reset tryckt i över 2 sekunder för att återställa panelen. (Aktiva träningsdata går förlorade)

I effektläge (W) regleras spänningen automatiskt till en intensitet, där effekten uppnår det förinställda effektläget.

## !! OBSERVERA

- Effektparameter är beräknad enligt rpm och spänningsnivån. När rpm är högre, blir spänningen lägre. När rpm är lägre, blir spänningen högre.

### Recovery

- Knappen Recovery fungerar endast om puls detekteras.
- Time visar "0:60" (sekunder) och räknar ner till 0.
- Datorn visar F1 till F6 efter nedräkningen för att testa hjärtfrekvensens återhämtningsstatus. Användaren hittar hjärtfrekvensens återhämtningsnivå baserad på tabellen nedan.
- Tryck på knappen Recovery för att gå till början.

### **Hur man läser testresultatet.**

Resultatet är baserat på din hjärtfrekvens. När du är aktiv ökar din puls i slag per minut (bpm.).

När du avslutar ditt träningspass kommer din puls att stabiliseras till det normala. Ju snabbare din puls stabiliseras desto bättre hjärttillstånd.

När din puls sjunker med minst 50 slag/min. i testminuten kommer ditt resultat att visas som F1.

När din puls sjunker mellan 41~50 slag/min. i testminuten kommer ditt resultat att visas som F2.

Och så vidare.

F1	Enastående	50+ bpm.
F2	Utmärkt	41 ~ 50 bpm.
F3	Bra	31~ 40 bpm.
F4	Hyfsad	21 ~ 30 bpm.
F5	Under genomsnittet	11 ~ 20 bpm.
F6	Dålig	0 ~ 10 bpm.

## !! OBS

- När din puls ökade under testminuten kommer den också att visa F6.
- När du går till läget Recovery pausar träningen.
- Tryck på Start/ Stop för att återgå till träningen när du lämnar läget Recovery, eller tryck på Reset för att gå tillbaka till startmenyn.

### Bluetooth & APP

- Denna panel kan ansluta APP (Fit Hi Way) på den smarta enheten med Bluetooth. (iOS & Android).
- Upprätta Bluetooth-anslutningen endast via anslutningsläget på den installerade APP-enheten på din smarta enhet.
- När panelen har anslutits till den smarta enheten via Bluetooth stängs strömmen på panelen av.

## !! OBS

- Tunturi ger dig endast möjligheten att ansluta din träningspanel med en Bluetooth-anslutning. Därför bär Tunturi inget ansvar för skador eller felfunktioner som uppstår på andra produkter än Tunturi-produkter.
- Kolla webbplatsen för extra information.

Denna konsol kan ta emot en Bluetooth-pulssändare. Det finns inget behov av att para ihop enheten eftersom konsolen automatiskt kommer att upptäcka pulssändaren när den är inom räckvidden.

## Rengöring och underhåll

Utrustningen kräver inte något särskilt underhåll. Utrustningen kräver inte omkalibrering när den monteras, används eller servas i enlighet med instruktionerna.

### **⚠ VARNING**

- Innan rengöring och underhåll, avlägsna adaptorn.
  - Använd inte lösningsmedel för att rengöra utrustningen.
  - Rengöring och underhåll får inte utföras av barn utan tillsyn.
- Rengör utrustningen med en mjuk och absorberande trasa efter varje användning.
  - Kontrollera regelbundet att alla skruvar och muttrar är åtdragna.
  - Smörj vid behov.

### Fel och funktionsstörningar

Trots ständig kvalitetskontroller, kan fel och funktionsstörningar inträffa som orsakas av enstaka delar. I de flesta fallen räcker det med att byta ut den felaktiga delen.

- Om utrustningen inte fungerar korrekt, kontakta omedelbart återförsäljaren.
- Lämna utrustningens modellnummer och serienummer till återförsäljaren. Ange problemets art, förhållanden vid användning och inköpsdatum.

### **Felsökning:**

- Om LCD-displayen lyser svagt betyder det att batteriet måste bytas ut.
- Om det inte kommer någon signal när du trampar måste du kontrollera om kabeln sitter i riktigt.

## !! OBS!

- Om träningen stoppas i 4 minuter slocknar huvudskärmen.
- Om datorn uppvisar onormala värden, sätt i batteriet på nytt och försök igen.

### **Skakig eller instabil känsla under användning**

Om maskinen känns instabil eller instabil under drift, är det lämpligt att justera stödfötterna för att få ramen till rätt höjd. Läs anvisningarna i den här handboken i avsnittet: "Användning"

## Transport och lagring

### **⚠ VARNING**

- Var två om att bära och förflytta utrustningen.
- Stå framför utrustningen på vardera sidan och ta ett fast grepp i handtagen. Lyft utrustningens framsida så att baksidan lyfts på hjulen. Förflytta utrustningen och sätt ner den försiktigt. Placera utrustningen på en skyddande grund för att förhindra att golvet skadas.
  - Förflytta utrustningen försiktigt över ojämna ytor. Förflytta inte utrustningen till övervåningen med hjulen, utan bär utrustningen med handtagen.
  - Förvara utrustningen på en torr plats med så liten temperaturvariation som möjligt.

## Garanti

### Tunturis ágargarantitunt

#### Garantivillkor

Konsumenten har rätt till tillämpliga lagliga rättigheter som anges i den nationella lagstiftningen om handel med konsumentvaror. Denna garanti begränsar inte dessa rättigheter. Köparens garanti är endast giltig om produkten används i en miljö som är godkänd av Tunturi New Fitness BV och underhålls enligt instruktionerna för den specifika utrustningen. Den produktspecifika godkända miljön och underhållsinstruktionerna anges i produktens "användarhandbok". "Användarhandboken" kan laddas ned från vår webbplats. <http://manuals.tunturi.com>

#### Garantivillkor

Garantivillkoren börjar att gälla från inköpsdatumet. Garantivillkoren kan variera mellan olika länder. Kontakta en lokal återförsäljare om garantivillkoren.

#### Garantins omfattning

Oavsett omständigheter, ansvarar inte Tunturi New Fitness BV eller Tunturis återförsäljare för uppkomna personskador som påverkar köparen, och som innebär inkomstförlust eller andra ekonomiska följdverkningar.

#### Gegränsningar i garantin

Garantin gäller för arbets- och materialfel, förutsatt att redskapet är i originalmonterat skick. Garantin gäller endast fel som uppstår vid normalt bruk och då den använts enligt Tunturis instruktioner gällande montering, skötsel och användning. Tunturi New Fitness BV och Tunturis återförsäljare ansvarar ej för fel som uppkommer utanför deras kontroll.

Garantin gäller endast redskapets ursprungliga ägare och är gällande endast i de länder där det finns en godkänd Tunturi New Fitness BV återförsäljare.

Garantin gäller ej för redskap eller delar som har ändrats utan Tunturi New Fitness BV:s godkännande. Garantin gäller ej för fel som beror på normalt slitage, felaktig användning, användning i förhållanden som inte är avsett för redskapet, korrosion eller lastnings- och transportskador.

Garantin täcker inte ljud som uppstår under användning såvida dessa inte väsentligt hindrar utrustningens användning eller har orsakats av ett fel i utrustningen.

Garantin gäller inte för underhållsarbete, som rengöring, smörjning eller normal kontroll av komponenterna och inte heller för monteringsarbete som kunden själv kan göra och som inte kräver att redskapet plockas isär/sätts ihop. Det gäller till exempel byte av mätare, trampor eller andra motsvarande enkla delar.

Garantireparationer utförda av andra än en godkänd Tunturi-representant, ersätts inte. Ifall instruktionerna i manualen inte följs upphävs produktens garanti.

## Teknisk information

Parameter	Måttenhet	Värde
Längd	cm	156.0
	inch	61.4
Bredd	cm	59.0
	inch	23.2
Höjd	cm	142.0
	inch	55.9
Vikt	kg	53.2
	lbs	117.3
Max användarvikt	kg	180
	lbs	397
Transformatorutgångs-specifikationer	Spänning Ampere	9V-DC 2.0 A
Hjärtfrekvens-mätning tillgänglig via:	Handgrepps kontakt	Ja
	5.0 Khz	Nej
	5,3 kHz.	Nej
	Bluetooth (BLE)	Ja
	ANT+	Nej

### !! OBS

- För att få reda på mer om produktdimensioner och funktionella dimensioner, se illustration H.

## Försäkran från tillverkaren

Tunturi New Fitness BV försäkrar att Platinum S20 Tävlingscykel överensstämmer med följande standarder och direktiv:

- RoHS-direktivet (2011/65/EU)
- Allmän produktsäkerhetsförordning (GPSR) – (EU) 2023/988

Härmed förklarar Tunturi New Fitness BV att Platinum S20 Tävlingscykelav radioutrustningstyp är i överensstämmelse med direktivet 2014/53/EU.

Försäkran om överensstämmelse, inklusive alla standarder och direktiv, kan laddas ner från vår webbplats: <https://doc.tunturi.com>

Tunturi New Fitness BV  
Purmerweg 1  
1311 XE Almere  
Nederländerna

## Friskrivning

© 2025 Tunturi New Fitness BV  
Alla rättigheter förbehållna.

- Produkten och handboken kan komma att ändras.
- Specifikationer kan ändras utan förvarning.
- På vår webbplats finns den senaste bruksanvisningen.

## Suomeksi

Tämä suomennettu käyttöohje on käännetty Englannin kielestä. Pidätämme oikeudet mahdollisiin käännösvirheisiin. Käännös tehty virallisen, englanninkielisen version pohjalta.

## Sisältö

<b>Tervetuloa.....</b>	<b>76</b>
<b>Turvallisuusvaroitukset .....</b>	<b>76</b>
Sähköturvallisuus .....	77
<b>Kokoamisohjeet.....</b>	<b>77</b>
Kuvan A kuvaus .....	77
Kuvan B kuvaus .....	77
Kuvan C kuvaus .....	77
Kuvan D kuvaus .....	77
Asennusta koskevia lisätietoja .....	77
Lisätietoa laitteen omistajalle .....	77
Vapaa harjoitusalue (kuva D-0) .....	77
<b>Harjoitukset.....</b>	<b>78</b>
Ohjeita harjoittelua varten .....	78
Syke .....	78
<b>Käyttö.....</b>	<b>79</b>
Tukijalkojen säätö .....	79
Virtalähde .....	79
Istuimen säätäminen vaakasuunnassa .....	79
Istuimen säätö pystysuunnassa .....	79
Ohjaustangon säätäminen vaakasuunnassa .....	79
Ohjaustangon korkeuden säätö .....	79
Hätäkatkaisun nappi (kuva G) .....	79
Kaksitoimisten poljinten käyttö .....	79
<b>Ohjauspaneeli .....</b>	<b>80</b>
Näytön toimintojen selitys.....	80
Painikkeet.....	80
Toiminta.....	80
<b>Ohjelmat.....</b>	<b>81</b>
Pika-aloitus .....	81
Lopeta harjoituksesi .....	81
Manuaalinen tila .....	81
Beginner .....	81
Advance .....	81
Sporty .....	81
Cardio.....	81
Watt Mode ( Watti-tila ) .....	81
Recovery .....	82
Sovellus & Bluetooth .....	82
<b>Puhdistus ja huolto .....</b>	<b>82</b>
Viat ja häiriöt .....	82
<b>Kuljetus ja säilytys .....</b>	<b>82</b>
<b>Takuu .....</b>	<b>83</b>
<b>Tekniset tiedot.....</b>	<b>83</b>
<b>Valmistajan vakuutus .....</b>	<b>83</b>
<b>Vastuuvapauslauseke.....</b>	<b>83</b>

## Tervetuloa

Tervetuloa Tunturi Fitness -maailmaan!

Kiitämme sinua tämän Tunturi-laitteen ostosta. Tunturi tarjoaa laajan valikoiman ammattimaisia kuntoilulaitteita, mukaan lukien crosstrainerit, juoksumatot, kuntopyörät, soutu-laitteet, voimapenkit ja moniasemat.

Tunturi-laite sopii koko perheelle kuntotasosta riippumatta. Katso lisätiedot verkkosivuiltamme [www.tunturi.com](http://www.tunturi.com)

### Tärkeitä turvallisuusohjeita

Tämä opas on olennainen osa kuntolaitettasi. Perehdy ohjeisiin huolellisesti ennen kuin asennat, käytät tai huollat kuntolaitettasi. Sinun tulee ehdottomasti säilyttää tämä opas, sillä jatkossa se opastaa Sinua niin kuntolaitteesi tehokkaaseen käyttöön kuin huoltoonkin. Muista aina noudattaa tämän oppaan ohjeita.

### Turvallisuusvaroitukset

#### ⚠ VAROITUS

- Lue turvallisuusvaroitukset ja -ohjeet. Turvallisuusvaroitusten ja -ohjeiden jättäminen noudattamatta voi aiheuttaa henkilön loukkaantumisen tai laitevaurion. Säilytä turvallisuusvaroitukset ja -ohjeet myöhempää käyttöä varten.

#### ⚠ VAROITUS

- Sykkeenvalvontajärjestelmät saattavat olla epätarkkoja. Liiallinen harjoittelu saattaa aiheuttaa vakavia vammoja tai kuoleman. Jos tunnet olosi heikoksi, lopeta harjoittelu heti.

- Tämä laite soveltuu sekä koti- että ammattikäyttöön (esim. sairaaloihin, paloasemille, hotelleihin, kouluihin).
- Tätä laitetta voivat käyttää 8-vuotiaat ja sitä vanhemmat lapset sekä henkilöt, joilla on heikentyneet fyysiset, aistilliset tai henkiset kyvyt tai joilla ei ole kokemusta ja tietoa, jos heitä valvotaan tai heille on annettu ohjeet laitteen turvalliseen käyttöön ja he ymmärtävät laitteen käyttöön liittyvät vaarat.
- Lapsia on valvottava, jotta varmistetaan, etteivät he leiki laitteella.
- Ennen harjoituksen aloittamista ota yhteys lääkäriin terveystarkastusta varten.
- Jos sinulla on pahoinvointia, huimausta, tai muita epätavallisia oireita, lopeta välittömästi harjoitus ja ota yhteys lääkäriin.
- Vältä lihaskipuja ja venähdyksiä aloittamalla jokainen harjoitus lämmittelyjaksolla ja pääätä jokainen harjoitus jäähdyttelyjaksolla. Muista venytellä harjoittelun lopuksi.
- Laite on sopiva vain sisäkäyttöön. Laite ei ole sopiva ulkokäyttöön.
- Käytä laitetta riittävällä tuuletuksella varustetuissa tiloissa. Älä käytä laitetta vetoisissa tiloissa välttääksesi kylmettymisen.
- Käytä laitetta vain ympäristölämpötilassa 10°C~35°C/ 50°F~95°F. Säilytä laitetta vain ympäristölämpötilassa 5°C~45°C/ 41°F~113°F.
- Älä käytä tai säilytä laitetta kosteissa tiloissa. Ilmankosteus ei saa koskaan olla yli 80 %.
- Käytä laitetta vain sen aiottuun tarkoitukseen. Älä käytä laitetta muihin, kuin tässä käyttöoppaassa esitettyihin tarkoituksiin.
- Älä käytä laitetta, jos sen jokin osa on vaurioitunut tai viallinen. Jos osa on vaurioitunut tai viallinen, ota yhteys jälleenmyyjään.
- Pidä kätesi, jalkasi ja kehon muut osat pois liikkuvista osista.
- Pidä hiuksesi pois liikkuvista osista.
- Käytä asianmukaista vaatetusta ja kenkiä.
- Pidä vaatteet, korut ja muut esineet pois liikkuvista osista.
- Varmista, että vain yksi henkilö kerrallaan käyttää laitetta. Yli 180kg (397 lbs) ainava henkilö ei saa käyttää laitetta.
- Älä avaa laitetta ilman yhteydenottoa jälleenmyyjäsi.

## Sähköturvallisuus

- Varmista aina ennen käyttöä, että sähkölähteen jännite on sama kuin laitekilvessä ilmoitettu laitteen nimellisjännite.
- Älä käytä jatkojohtoa.
- Pidä virtajohto pois kuumasta, öljystä ja terävistä kulumista.
- Älä tee muutoksia virtajohtoon tai pistokkeeseen.
- Älä käytä laitetta, jos virtajohto tai virtajohdon pistoke on vaurioitunut tai viallinen. Jos virtajohto tai virtajohdon pistoke on vaurioitunut tai viallinen, ota yhteys jälleenmyyjäsi.
- Suorista aina virtajohto täysin.
- Älä vie virtajohtoa laitteen alitse. Älä laita virtajohtoa maton alle. Älä laita virtajohdon päälle mitään esineitä.
- Varmista, ettei virtajohto roiku pöydän kulman yli. Varmista, ettei virtajohtoon voi vahingossa tarttua kiinni tai kompastua.
- Älä jätä laitetta ilman valvontaa virtajohdon ollessa liitettyinä pistorasiaan.
- Älä vedä pistoketta irti pistorasiasta virtajohdosta vetämällä.
- Irrota pistoke pistorasiasta, kun laite ei ole käytössä, ennen asennusta tai purkamista ja ennen puhdistusta sekä huoltoa.

### ⚠ VAROITUS

- Älä koskaan käytä vettä tai mitään muuta nestettä suoraan laitteen päällä tai lähellä. Jos laitteen puhdistamiseen tarvitaan nestettä, käytä kosteaa liinaa.
- Nesteen käyttäminen suoraan laitteessa on haitallista laitteen osille, ja tästä syntyvä oikosulku voi aiheuttaa sähköiskun. Seurauksena voi olla vakava vamma tai jopa kuolema.
- Laitetta saa käyttää ainoastaan laitteen mukana toimitetun virtalähteen kanssa.

## Kokoamisohjeet

### Kuvan A kuvaus

Kuvassa on esitetty, miltä harjoituslaite näyttää, kun asennus on saatu valmiiksi.

Voit käyttää tätä viitteenä asennuksen aikana, mutta tee asennusvaiheet aina oikeassa järjestyksessä kuvien mukaisesti.

### Kuvan B kuvaus

Kuvassa on esitetty, mitä komponentteja ja osia sinun tulisi löytää poistaessasi tuotteen pakkauksesta.

### !! HUOMAUTUS!!

- Pienet osat voivat olla piilossa / pakattuina Styrofoam-tuotesuojan koloihin.

### Kuvan C kuvaus

Kuvassa on esitetty tuotteesi mukana tuleva välinepaketti. Välinepaketti sisältää pultit, aluslaatat, ruuvit, mutterit jne. sekä tarvittavat työkalut harjoittelulaitteen asianmukaiseen asennukseen.

### Kuvan D kuvaus

Kuvassa on esitetty oikea järjestys, jota noudattamalla harjoittelulaitteen asennus onnistuu parhaiten.

### ⚠ VAROITUS

- Kokoonpane laite esitetyssä järjestyksessä.
- Vähintään kahden henkilön on kannettava ja siirrettävä laitetta.

### ⚠ HUOMAUTUS

- Sijoita laite kovalle, tasaiselle alustalle.
- Asettakaa laite suojalustalle lattiapinnan vaurioiden estämiseksi.
- Katso piirroksesta laitteen oikea asennus.

## Asennusta koskevia lisätietoja

### D5 Polkimien asentaminen oikein.

#### HUOMAUTUS!!

- Oikea ja vasen puoli on määritelty harjoitteluasennosta katsottuna.

### Oikean puolen poljin

Etsi "R"- tai "L"-merkki poljinakselista.

- Asenna oikean puolen poljin "R" oikean puolen poljinkampeen.
- Käännä ensin poljinakselia myötäpäivään käsin.
- Kiristä poljin kunnolla käyttämällä jakoavainta.

### Vasemman puolen poljin

- Asenna vasemman puolen poljin "L" vasemman puolen poljinkampeen.
- Käännä ensin poljinakselia vastapäivään käsin.
- Kiristä poljin kunnolla käyttämällä jakoavainta.



Katso YouTube-ohjevideomme napsauttamalla <https://youtu.be/3BiN9mc5Tmw?t=101>

### !! ILMOITUS

- Kun olet suorittanut asennuksen loppuun, pane tämän tuotteen mukana toimitetut työkalut talteen tulevia huoltotoimia varten.

## Lisätietoa laitteen omistajalle

### Pakkauksen hävittäminen

Lainsäädäntö ohjeistaa meitä vähentämään kaatopaikoille toimitetun jätteen määrää. Sen vuoksi pyydämme sinua toimittamaan kaikki pakkausjätteet sitä varten tarkoitettuun kierrätysasemaan.

### Laitteen hävittäminen käyttöiän päättyessä

Me Tunturilla toivomme, että iloitset kuntolaitteestasi vuosia. Jokainen kuntolaite tulee kuitenkin aikanaan oman käyttöikänsä loppuun. Kotitalouksien sähkö- ja elektroniikkalaiteromua käsittelevien eurooppalaisten määräysten (WEEE) mukaan sinun kuuluu toimittaa kuntolaitteesi sitä varten tarkoitettuun keräyspaikkaan.

### Vapaa harjoitusalue (kuva D-0)

#### Laitteen etuosa

Varaa vähintään 30 cm vapaata tilaa laitteen eteen.

- Tämän osan vapaa harjoitusalue voidaan jakaa muiden samantyyppisten laitteiden kanssa, kun molemmat ovat vastakkain.

#### Laitteen vieressä.

Varaa vähintään 60 cm vapaata tilaa laitteen vieressä.

- Tämän osan vapaa harjoitusalue voidaan jakaa muiden samantyyppisten laitteiden kanssa, kun molemmat ovat vastakkain.

#### Laitteen takana

Varaa vähintään 200 cm vapaata tilaa laitteen taakse.

- Tämän osan vapaata harjoittelualuetta ei voida jakaa muiden samantyyppisten laitteiden kanssa, vaan tarvittava ylimääräinen vapaa tila riippuu molempien laitteiden suunnasta, ja sen on oltava molempien arvojen summa.

## Harjoitukset

Harjoituksen on oltava sopivan kevyt, mutta pitkäkestoinen. Aerobic-harjoitus perustuu kehon maksimi hapenottokyvyn parantamiseen, mikä puolestaan parantaa kestävyyttä ja kuntotasoja. Harjoituksen aikana sinun tulisi hikoilla, mutta sinun ei tulisi hengästyä. Harjoittele vähintään kolme kertaa viikossa 30 minuuttia peruskuntotason saavuttamiseksi ja ylläpitämiseksi. Paranna kuntotasoasi lisäämällä harjoituskertojen määrää. On hyödyllistä yhdistää säännöllinen harjoitus terveelliseen dieettiin. Dieettiin sitoutuneen henkilön tulisi harjoitella päivittäin, ensi alkuun korkeintaan 30 minuuttia ja vähitellen lisäten päivittäinen harjoitusaika yhteen tuntiin. Aloita harjoituksesi hitaalla nopeudella ja pienellä vastuksella estääksesi liiallisen rasituksen sydän-verisuonijärjestelmään. Nopeutta ja vastusta voidaan vähitellen lisätä kuntotason parantuessa. Harjoituksesi tehokkuus voidaan mitata seuraamalla sydämesi lyöntinopeutta ja pulssisi nopeutta. Lisää nopeutta ja vastusta vähitellen oman kuntosi mukaan. Pidä pää pystyssä ja kaula suorana välttääksesi stressiä kaulassa, hartioissa ja selässä. Pidä selkäsi suorana. Varmista, että jalkasi ovat keskellä polkimia ja että lantio, polvet, nilkat ja varpaat ovat suoraan eteenpäin. Pidä painosi alaruumiin yläpuolella, huolimatta siitä, nojaatko eteenpäin vai seisotko suorana. Lopeta harjoitusjakso vähentämällä nopeutta ja vastusta vähitellen. Muista venyttellä harjoittelun lopuksi.

### Ohjeita harjoittelua varten

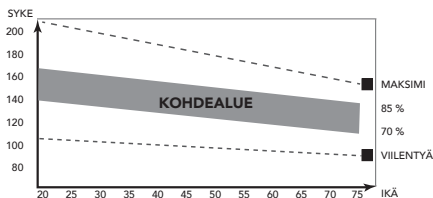
Kuntolaitteen käyttö tarjoaa monia etuja: se parantaa fyysistä kuntoa, kiinteyttää lihaksia ja hallittuun ruokavalion yhdistettynä se auttaa myös pudottamaan painoa.

### Lämmittelyvaihe

Tämän vaiheen tarkoituksena on saada veri virtaamaan nopeammin ympäri kehoa ja panna lihakset tekemään työtä. Lämmittely vähentää myös kramppeja ja lihasvammojen riskiä. Suosittelemme, että teet muutaman venyttelyharjoituksen alla olevan kuvan mukaisesti. Jokaisen venytyksen tulisi kestää noin 30 sekuntia. Älä tee venytyksiä väkisin tai nykäisten - jos tunnet kipua, LOPETA.

### Harjoitteluvaihe

Tämä on se vaihe, jossa ponnistelet. Säännöllisen harjoittelun tuloksena jalkojesi lihakset tulevat joustavammiksi. Tässä vaiheessa on hyvin tärkeää ylläpitää tasaista nopeutta koko ajan. Rasituksen tulisi olla riittävän suuri, jotta sykkeesi nousee tavoitealueelle alla olevan kaavion mukaisesti



Tämän vaiheen tulisi kestää vähintään 12 minuuttia, mutta useimmilla aloittelijoilla se on noin 15-20 minuuttia.

### Jäähdyttelyvaihe

Tämän vaiheen tarkoituksena on antaa verenkiertojärjestelmäsi ja lihaksiesi palautua. Jäähdytyksessä toistetaan lämmittelyvaiheen harjoitukset vähentämällä ensin nopeutta ja jatkamalla tällä nopeudella noin 5 minuuttia. Toista sitten venyttelyharjoitukset pitäen mielessä, että venytyksiä ei saa tehdä väkisin tai nykäisten. Kun kuntosi nousee, voit tarvita pidempiä ja raskaampia harjoituksia. On suositeltavaa treenata vähintään kolme kertaa viikossa, ja harjoittelut olisi hyvä jakaa tasaisesti viikon varrelle.

### Lihasten kiinteytys

Jos tavoitteesi on lihasten kiinteytys, sinun pitää asettaa vastus suureksi. Silloin jalkojesi lihakset rasittuvat enemmän, etkä ehkä pysty treenaamaan niin pitkään kuin haluaisit. Jos tavoitteesi on myös kunnan kohentaminen, sinun pitää muuttaa harjoitteluohjelmaasi. Harjoittele lämmittely- ja jäähdyttelyvaiheissa normaalisti, mutta lisää vastusta harjoitteluvaiheessa, jotta jalkasi joutuvat tekemään enemmän työtä. Vähennä tarvittaessa nopeutta, jotta sykkeesi pysyy tavoitealueella.

### Painon pudotus

Ratkaisevaa on se, miten rasittavaa harjoittelu on. Mitä enemmän ja mitä pidempään harjoittele, sitä enemmän poltat kaloreita. Vaikutus on sama kuin jos harjoittelisit kunnan kohentamiseksi, vaikka tavoite on nyt toinen.

### Syke

#### Sykkeen mittaus (sykevyö)

#### !! ILMOITUS

- Rinnahihna ei ole vakiona tämän kouluttajan kanssa. Kun haluat käyttää langatonta rintahihnaa, sinun on ostettava tämä lisävarusteena.

Tarkin sydämen lyöntinopeus saadaan sykevyöllä. Sykemittaus tapahtuu käyttöösi otettavan sykevastaanottimen ja sykevyön lähettimen avulla. Tarkka sydänmittaus edellyttää lähettimen elektrodien olevan hieman kosteita ja jatkuvassa kosketuksessa ihoon. Jos elektrodit ovat liian kuivia tai liian kosteita, sykkeen mittaus voi olla epätarkempi.

#### ⚠ VAROITUS

- Jos sinulla on sydäntahdistin, ota yhteys lääkäriin ennen sykevyön käyttöä.

#### ⚠ HUOMAUTUS

- Jos useita sykemittauslaitteita on vierekkäin, varmista, että niiden keskinäinen etäisyys on vähintään 2 metriä.
- Varmistu, että laitteen sykevastaanottimen ja sykevyön lähettimen kantomatkan sisällä ei ole muita lähettäjiä, jotka voisivat aiheuttaa häiriöitä mittauksessa.

#### !! ILMOITUS

- Pidä aina sykevyötä vaatteittesi alla suorassa kosketuksessa ihoosi. Älä pidä sykevyötä vaatteittesi päällä. Jos pidät sykevyötä vaatteittesi päällä, signaalia ei ole.
- Jos asetat rajan sydämen lyöntinopeudelle, rajan ylittyessä kuuluu äänihälytys.
- Lähetin lähettää sykkeen korkeintaan 1,5 metrin etäisyydellä olevaan ohjauspaneeliin. Jos elektrodit eivät ole kosteita, sydämen lyöntinopeus ei tule näytölle.
- Jotkin vaatteiden kuidut (esim. polyesteri, polyamidi) synnyttävät staattista sähköä, mikä voi estää tarkan sydämen lyöntinopeuden mittauksen.
- Matkapuhelimet, televisiot ja muut sähkölaitteet luovat sähkömagneettisen kentän, joka voi estää tarkan sydämen lyöntinopeuden mittauksen.

### Suurin sallittu sydämen lyöntinopeus (harjoituksen aikana)

Suurin sallittu sydämen lyöntinopeus on suurin lyöntinopeus, jonka henkilö voi turvallisesti saavuttaa harjoituksen rasituksella. Seuraavaa kaavaa käytetään laskemaan keskimääräinen suurin sallittu sydämen lyöntinopeus: 220 - IKÄ. Suurin sallittu sydämen lyöntinopeus vaihtelee henkilöstä toiseen.

**VAROITUS**

- Varmista, ettet ylitä sydämesi suurinta sallittua lyöntinopeutta harjoituksen aikana. Jos kuulut riskiryhmään, ota yhteys lääkäriin.

**Aloittelija****50-60% suurimmasta sallitusta sydämen lyöntinopeudesta**

Sopiva aloittelijoille, painonvartijoille, toipilaille, ja henkilöille, jotka eivät ole harjoitelleet pitkään aikaan. Harjoittele vähintään kolme kertaa viikossa, 30 minuuttia kerrallaan.

**Edistynyt****60-70% suurimmasta allitusta sydämen lyöntinopeudesta**

Sopiva henkilöille, jotka haluavat parantaa ja ylläpitää kuntoaan. Harjoittele vähintään kolme kertaa viikossa, 30 minuuttia kerrallaan..

**Ekspertti****70-80 % suurimmasta sallitusta sydämen lyöntinopeudesta**

Sopiva kunnoltaan erittäin hyvälle henkilöille, jotka ovat tottuneet pitkäkestoisin harjoituksiin.

**Käyttö****Tukijalkojen säätö**

Laitteessa on säädettävät tukijalat.

Jos laite tuntuu epävakaalta tai huteralta tai se ei ole tasapainossa, tämä voidaan korjata tukijalkoja säätämällä.

- Käännä tukijalat sisään/ulos tarpeen mukaan, jotta saat laitteen tukevaan asentoon ja mahdollisimman hyvin vaakatasoon.
- Lukitse tukijalat kiristämällä lukkomutterin holkit\*.

**!! HUOMAUTUS**

- Laitteet ovat vakaimmillaan, kun ne ovat mahdollisimman lähellä lattiaa. Aloita sen vuoksi laitteiston tasapainotus kääntämällä kaikki tukijalat kokonaan sisään, ennen kuin käännät tarvittavat tukijalat ulos laitteen vakauttamiseksi ja tasapainottamiseksi.



Katso YouTube-ohjevideomme napsauttamalla <https://youtu.be/3BiN9mc5Tmw?t=535>

**Virtalähde**

Virtalähde kuntolaitteessa on ulkoinen virtalähde. Katso oheisesta kuvasta, missä kuntolaitteesi virtapiste sijaitsee. (Kuva. E-1)

**!! ILMOITUS**

- Kiinnitä muuntaja laitteeseen ennen kuin yhdistät sen pistorasiaan.
- Irrota virtajohto seinästä aina kun laitetta ei käytetä.

**Istuimen säätäminen vaakasuunnassa**

Istuinta voidaan säätää vaakasuunnassa asettamalla istuin haluttuun asentoon. (kuva E-2)

- Löysää istuimen kiskoa kääntämällä pikairrotusvipua myötäpäivään.
- Siirrä istuin haluttuun asentoon.
- Kiristä istuimen kiskoa kääntämällä pikairrotusvipua myötäpäivään.

**!! HUOMAUTUS**

- Pikairrotusvipu on jousikuormitteinen. Voit palauttaa vivun asennon vetämällä vivun alas, asettamalla sen uudelleen ja vapauttamalla sen uudelleen.

**Istuimen säätö pystysuunnassa**

Istuinta voidaan säätää pystysuorassa asettamalla istuin haluttuun kohtaan. (kuva E-2)

Jalka lähes suorana jalkaholvin on kosketettava jalkapoljinta sen alimmassa pisteessä.

- Löysää istuinputken säätönuppia.
- Siirrä istuinputki haluttuun kohtaan.
- Kiristä istuinputken säätönuppi.

**Ohjaustangon säätäminen vaakasuunnassa**

Ohjaustankoa voidaan säätää vaakasuunnassa asettamalla sitä kauemmaksi tai lähemmäs käyttäjää, jotta se asettuu haluttuun asentoon. (kuva E-2)

- Löysää ohjaustangon kiinnitysrunkoa kääntämällä pikairrotusvipua myötäpäivään.
- Siirrä ohjaustangon kiinnitysrunko haluttuun asentoon.
- Kiristä ohjaustangon kiinnitysrunko kääntämällä pikairrotusvipua myötäpäivään.

**!! HUOMAUTUS**

- Pikairrotusvipu on jousikuormitteinen. Voit palauttaa vivun asennon vetämällä vivun alas, asettamalla sen uudelleen ja vapauttamalla sen uudelleen.

**Ohjaustangon korkeuden säätö**

Ohjaustangon korkeutta voidaan säätää käyttäjän pituuden mukaan parhaan korkeuden ja käyttäjän treeniasennon saavuttamiseksi. (kuva E-2)

- Tue ohjaustanko ennen kuin löysäät ohjaustangon säätönuppia. Löysää nuppia kääntämällä sitä kaksi täyttä kierrosta vastapäivään ja vedä jousikuormitteinen nuppi ulos.
- Pidä jousikuormitteista nuppia ulos vedettynä ja siirrä ohjaustanko haluttuun asentoon.
- Kun vaadittu korkeus löytyy, vapauta jousikuormitteinen nuppi ja liikuta ohjaustankoa hieman ylös/alas varmistaaksesi, että jousikuormitettu nuppi löytää kiinnitysasentonsa.
- Kiristä ohjaustangon säätönuppi tiukasti kääntämällä sitä myötäpäivään.

**Hätäkatkaisun nuppi (kuva G)**

Aktivoi hätäjarru painamalla jarrun kiristysvipu kokonaan alas käyttämällä painetta.

**Kaksitoimisten poljinten käyttö**

Jos sinulla on kysyttävää, ota yhteys pyörän jälleenmyyjään tai katso harjoittelukenkiesi mukana tulleita ohjeita.

Kun kiinnität klossia, lateraalisen keskiviivan pitää olla päkiän keskikohdan alla. Säädä eteen ja taakse kengänpohjan urista. Säädä sivusuunnassa klossin ja klossin aluslaatan välyksestä. Kiristä klossit lujasti kiinni. Voit myöhemmin säätää klosseja omien mieltymystesi mukaan, kun olet ensin kokeillut niitä. Parhaan virityksen löytäminen voi viedä jonkin aikaa.

**Varvaskoukut**

Polkimiin voidaan kiinnittää kaikki yleisesti käytössä olevat varvaskoukut. Kiinnitä varvaskoukut niiden mukana toimitetuilla välineillä valmistajan ohjeiden mukaisesti ja varmista ennen käyttöä, että liitosruuvit ovat tiukalla.

## Poljinten käyttö

Kiinnitä klosseilla varustetut kengät polkimiin asettamalla klossi lukkojen väliin ja painamalla samalla alaspäin.

Voit vapauttaa kengän kiertämällä kantapäätä pyörästä ulospäin. Lukituksen tiukkuutta voidaan säätää, ja se tulee säätää siten, että klossi ja kenkä eivät poljettaessa vapaudu. Voit vääntää lukituksen säätöruuveja kuusiokoloavaimella. Tiukenna lukitusta vääntämällä säätöruuveja myötäpäivään, ja löysennä lukitusta vääntämällä ruuveja vastapäivään.

## Ohjauspaneeli



1. Näyttö
2. Taulu/ kirja teline
3. Painikkeet

### ⚠ HUOMAUTUS

- Pidä ohjauspaneeli pois suorasta auringonvalosta.
- Kuivaa ohjauspaneelin pinta, jos siihen on tippunut hikeä.
- Älä nojaa ohjauspaneeliin.
- Kosketa näyttöä vain sormenpäälläsi. Älä kosketa näyttöä kynsilläsi tai terävillä esineillä.

## Näytön toimintojen selitys

### Time (harjoitusaika)

- Jos tavoitearvoa ei aseteta, harjoitusaika lasketaan eteenpäin.
- Jos on asetettu tavoitearvo, harjoitusaika lasketaan tavoitearvosta taaksepäin 0:an, joka ilmoitetaan äänimerkillä tai valolla. Mikäli harjoittelua jatketaan vielä tavoitteen saavuttamisen jälkeen, aika lasketaan eteenpäin.
- Alue: 0:00 – 99:59

### Speed

- Näyttää nopeuden.
- Alue: 0.0 – 99.9

### RPM

- Näyttää kierrosnopeuden (kierrokset per minuutti).
- Alue: 0 – 999

### Pulse (syke)

- Senhetkinen syke esitetään 6 sekunnin kuluttua siitä, kun konsoli havaitsee signaalin.
- Jos konsoli ei vastaanota sykkeen signaalia 6 sekuntiin, näytössä näkyy "P".
- Konsoli antaa varoitusäänen, jos senhetkinen syke ylittää tavoitesykkeen.
- Alue on: 0-30 ~ 230 BPM.

## Watt (watit)

- Esittää harjoittelun senhetkisen tehon.
- Alue: on 0 ~ 999

## Distance (harjoitusmatka)

- Jos tavoitearvoa ei aseteta, harjoitusmatka lasketaan eteenpäin.
- Jos on asetettu tavoitearvo, harjoitusmatka lasketaan tavoitearvosta taaksepäin 0:an, joka ilmoitetaan äänimerkillä tai valolla. Mikäli harjoittelua jatketaan vielä tavoitteen saavuttamisen jälkeen, harjoitusmatkaa lasketaan eteenpäin.
- Alue: on: 0.00 ~ 99.99 KM.

## Load

- Näyttää jännitteen tason säätämisen vastuksen säätämisen aikana 3 sekunnin ajans.
- Alue: 1 ~ 32

## Calories (energiankulutus)

- Jos tavoitearvoa ei aseteta, kalorit lasketaan eteenpäin.
- Jos on asetettu tavoitearvo, kalorit lasketaan tavoitearvosta taaksepäin 0:an, joka ilmoitetaan äänimerkillä tai valolla. Mikäli harjoittelua jatketaan vielä tavoitteen saavuttamisen jälkeen, kalorit lasketaan eteenpäin.
- Alue: 0 ~ 9999 K.Calories.

## !! HUOM

- Nämä tiedot ovat karkeita ohjeita erilaisten harjoittelujen vertailua varten, eikä niitä voida käyttää lääketieteellisen hoidon pohjana.

## Painikkeet

### Recovery

- Mittaa palautumissykkeen.

### Down

- Vähentää vastusta harjoituksen aikana.
- Asetettava arvo pienemmäksi.

### Mode

- Asetusten/ valitun arvon vahvistus.

### Up

- Kasvattaa vastusta harjoituksen aikana.
- Asetettava arvo suuremmaksi.

### Reset

- Voit nollata senhetkiset toiminnon arvot painamalla asetustilassa RESET-näppäintä.
- Pitämällä RESET-näppäintä alaspainettuna 2 sekunnin ajan nollaat kaikki toimintojen arvot

### Start/ Stop

- Käynnistää tai pysäyttää ( Tauko ) harjoituksen.

## Toiminta

### Laitteen kytkeminen päälle

- Kytke virtalähde tietokoneen virtaan.
- Voit aktivoida virransäästötilassa olevan konsolin painamalla mitä tahansa näppäintä.
- Voit aktivoida virransäästötilassa olevan konsolin alkamalla polkea.

### Pois päältä / virransäästötila

- Jos näyttö ei vastaanota signaaleja 4 minuuttiin, se siirtyy automaattisesti virransäästötilaan (SLEEP).
- Irrota virtalähde tietokoneen virran katkaisemiseksi suoraan.

## Ohjelmat

### Pika-aloitus

- Paina Start/ Stop-painiketta aloittaaksesi harjoittelun ilman ennalta määritettyjä asetuksia.
- Käytä valintapyörää Up/ Down säätääksesi vastustasoa harjoittelun aikana.

### Lopeta harjoituksesi

- Pysäytä/keskeytä harjoituksesi painamalla Start/ Stop-painiketta harjoittelutilassa. Jatka harjoitustasi painamalla Start/ Stop-painiketta taukotilassa.
- Nollaa kaikki harjoitustiedot painamalla Reset-painiketta (taukotilassa).
- Nollaa konsoli painamalla Reset-painiketta yhtäjaksoisesti yli kahden sekunnin ajan. (Käynnissä olevan harjoituksen tiedot menetetään.)

### Manuaalinen tila

- Valitse manuaaliohjelma Up/ Down-painikkeilla ja paina Mode-painiketta edetäksesi seuraavaan asetusvaiheeseen.
- Valitse Up/ Down-painikkeilla harjoituksen kesto ja vahvista valinta Mode-painikkeella.

### !! ILMOITUS

- Vahvistuksen jälkeen voit myös asettaa harjoittelumatkan arvoon Distance, Calories, & Pulse
- Kun asetat useamman kuin yhden tavoitteen, harjoittelu päättyy ensimmäiseksi saavutettuihin tavoitteisiin.
- Jos jätät tavoitteen tyhjäksi, sitä ei nähdä etukäteen asetettuna rajana.
- Start/ Stop-painike käynnistää harjoituksen.
- Up/ Down-painikkeet säätävät vastustasoa (ylös/alas).
- Start/ Stop-painike on myös taukopainike.
- Reset-painike palauttaa päävalikkoon. (Keskeneräisen harjoituksen tiedot katoavat.)

### Beginner

- Valitse Beginner-ohjelma Up/ Down-painikkeilla ja paina Mode-painiketta edetäksesi seuraavaan asetusvaiheeseen.
- Beginner-ohjelmia on valittavana 4: Beginner 1 ~ 4. Valitse yksi näistä ohjelmista Up/ Down-painikkeilla ja paina Mode-painiketta edetäksesi seuraavaan asetusvaiheeseen.
- Valitse Up/ Down-painikkeilla harjoituksen kesto.
- Start/ Stop-painike käynnistää harjoituksen.
- Up/ Down-painikkeet säätävät vastustasoa (ylös/alas).
- Start/ Stop-painike on myös taukopainike.
- Reset-painike palauttaa päävalikkoon. (Keskeneräisen harjoituksen tiedot katoavat.)

### Advance

#### Kokeneempi käyttäjä

- Valitse Advance-ohjelma Up/ Down-painikkeilla ja paina Mode-painiketta edetäksesi seuraavaan asetusvaiheeseen.
- Advance-ohjelmia on valittavana 4: Advance 1 ~ 4.. Valitse yksi näistä ohjelmista Up/ Down-painikkeilla ja paina Mode-painiketta edetäksesi seuraavaan asetusvaiheeseen.
- Valitse Up/ Down-painikkeilla harjoituksen kesto.

- Start/ Stop-painike käynnistää harjoituksen.
- Up/ Down-painikkeet säätävät vastustasoa (ylös/alas).
- Start/ Stop-painike on myös taukopainike.
- Reset-painike palauttaa päävalikkoon. (Keskeneräisen harjoituksen tiedot katoavat.)

### Sporty

- Valitse Sporty-ohjelma Up/ Down-painikkeilla ja paina Mode-painiketta edetäksesi seuraavaan asetusvaiheeseen.
- Advance-ohjelmia on valittavana 4: Sporty 1 ~ 4.. Valitse yksi näistä ohjelmista Up/ Down-painikkeilla ja paina Mode-painiketta edetäksesi seuraavaan asetusvaiheeseen.
- Valitse Up/ Down-painikkeilla harjoituksen kesto.
- Start/ Stop-painike käynnistää harjoituksen.
- Up/ Down-painikkeet säätävät vastustasoa (ylös/alas).
- Start/ Stop-painike on myös taukopainike.
- Reset-painike palauttaa päävalikkoon. (Keskeneräisen harjoituksen tiedot katoavat.)

### Cardio

#### Sykeohjelma

- Valitse sykeohjelma Up/ Down-painikkeilla ja paina Mode-painiketta edetäksesi seuraavaan asetusvaiheeseen.
- Aseta Up/ Down-painikkeilla ikäsi ja vahvista valinta Mode-painikkeella
- Sykeohjelmia on valittavana 4:  
55% ( Maksimisyke = 220 - Ikä x55% )  
75% ( Maksimisyke = 220 - Ikä x75% )  
90% ( Maksimisyke = 220 - Ikä x90% )  
TAG = tai tavoitesyke, jonka oletusarvo on 100, Muuta oletusarvoa Up/ Down-painikkeilla ja vahvista asetettu arvo Mode-painikkeella.
- Valitse yksi sykeohjelmista Up/ Down-painikkeilla ja vahvista valinta Mode-painikkeella.
- Valitse Up/ Down-painikkeilla harjoituksen kesto ja vahvista valinta Mode-painikkeella.
- Start/ Stop-painike on taukopainike.
- Reset-painike palauttaa päävalikkoon. (Keskeneräisen harjoituksen tiedot katoavat.)

### !! HUOM

- Sydäntilassa vastus säädetään automaattisesti niin, että sykkeesi saavuttaa ennalta määritetyn HRC-tavoitteen.
- Jos ohjauspaneeli ei havaitse sykettä 6 sekuntiin, käyttäjää huomautetaan asiasta tekstillä: "Pulse Input".

### Watt Mode ( Watti-tila )

- Valitse Watt-ohjelma Up/ Down-painikkeilla ja paina Mode-painiketta edetäksesi seuraavaan asetusvaiheeseen.
- Aseta WATT-tavoite valintapyörän Up/ Down-näppäimellä 120 on ennalta määritetty oletus Alue: 10~350 vahvista painamalla Mode-painiketta.
- Aseta harjoitusaika Time valintapyörän Up/ Down-näppäimellä.
- Start/ Stop-painike käynnistää harjoituksen.
- Up/ Down-painikkeet säätävät vastustasoa (ylös/alas).
- Start/ Stop-painike on myös taukopainike.
- Reset-painike palauttaa päävalikkoon. (Keskeneräisen harjoituksen tiedot katoavat.)

Wattimäärätilassa vastus säädetään automaattisesti niin, että wattimäärä saavuttaa ennalta määritetyn wattimäärätavoitteen.

## !! HUOM

- Wattimääräparametri on laskelma RPM:stä ja vastustasosta. Kun RPM on korkeampi, vastus on matalampi. Kun RPM on matalampi, vastus on korkeampi.

## Recovery

- Recovery-näppäin toimii vain, jos konsoli havaitsee sykkeen signaalin.
- Näytössä näkyvä aika-arvo Time on 0:60 (sekuntia) ja aika lasketaan taaksepäin 0:an.
- Taaksepäin laskemisen jälkeen näytössä esitetään arvot F1 - F6 sykkeen palautumistilan tarkistamiseksi. Käyttäjä voi tarkistaa sykkeen palautumisasteen alla olevan kaavion avulla.
- Voit palata alkuun painamalla uudestaan näppäintä Recovery.

## Testituloksen lukeminen.

Tulos perustuu sydämesi syketilään. Kun olet aktiivinen, sykkeesi nousee lyönteinä minuutissa (bpm.).

Kun lopetat harjoituksen, sykkeesi vakautuu normaaliksi. Mitä nopeammin sykkeesi vakautuu, sitä parempi sydämesi kunto on. Kun sykkeesi laskee vähintään 50 lyöntiä minuutissa testiminuutin aikana tuloksesi on F1.

Kun sykkeesi laskee välillä 41-50 lyöntiä minuutissa testiminuutin aikana tuloksesi on F2.

Ja niin edelleen.

F1	Loistava	50+ lyöntiä minuutissa
F2	Erinomainen	41~50 lyöntiä minuutissa
F3	Hyvä	31~40 lyöntiä minuutissa
F4	Kohtalainen	21~30 lyöntiä minuutissa
F5	Keskiarvon alapuolella	11~20 lyöntiä minuutissa
F6	Huono	0~10 lyöntiä minuutissa

## !! HUOMAUTUS

- Kun sykkeesi nousi testiminuutin aikana, se osoitetaan myös tuloksella F6.
- Recovery-tilaan siirryttäessä harjoitus keskeytyy.
- Voit jatkaa keskeytettyä harjoitusta painamalla Start/ Stop-näppäintä palautumistilasta poistuessasi tai palata aloitusvalikkoon painamalla näppäintä Reset.

## Sovellus & Bluetooth

- Tämä konsoli voi muodostaa yhteyden älylaitteen sovellukseen Bluetoothin välityksellä. (iOS & Android)
- Luo Bluetooth-yhteys vain asennetun APP-yhteystilan avulla älykkäässä laitteessa.
- Kun konsoli on yhdistetty älylaitteeseen Bluetoothin välityksellä, konsoli kytkeytyy pois päältä.

## !! HUOM

- Tunturi ainoastaan tarjoaa mahdollisuuden yhdistää kuntolaite Bluetooth-yhteyden välityksellä. Tunturi ei siten ole vastuussa muiden kuin Tunturi-tuotteiden vahingoista tai toimintahäiriöistä.
- Tarkista verkkosivuilla lisätietoja.

Tämä konsoli voi vastaanottaa Bluetooth-sykemittarin. Laitetta ei tarvitse muodostaa pariksi, koska konsoli tunnistaa automaattisesti sykemittarin, kun se on alueella.

## Puhdistus ja huolto

Laite ei vaadi erityishuoltoa. Laite ei vaadi uudelleenkalibrointia kokoonpanon, käytön ja ohjeiden mukaan suoritettua huollon jälkeen.

### ⚠ VAROITUS

- Irrota adapteri ennen puhdistusta ja huoltoa.
- Älä käytä liuottimia laitteen puhdistukseen.
- Lapset eivät saa puhdistaa laitetta tai tehdä käyttäjälle tehtäviä huoltotoimenpiteitä ilman valvontaa.

- Puhdista laite pehmeällä, imukykyisellä kankaalla jokaisen käytön jälkeen.
- Tarkista säännöllisesti kaikkien ruuvien ja mutterien olevan tiukasti kiinni.
- Voitele nivelet tarvittaessa.

## Viat ja häiriöt

Huolimatta jatkuvasti laadunvarmistuksesta laitteessa voi tapahtua yksittäisen osan aiheuttamia vikoja ja häiriöitä. Useimmissa tapauksissa viallisen osan vaihtaminen on riittävää

- Jos laite ei toimi normaalisti, ota välittömästi yhteys jälleenmyyjään.
- Anna jälleenmyyjälle laitteen malli- ja sarjanumero. Kerro ongelman luonne, käyttöolosuhteet ja ostopäivä.

## Vianmääritys:

- Nestekidenäytön himmeys on osoitus siitä, että paristot pitää vaihtaa.
- Jos konsoli ei vastaanota signaalia polkemisen aikana, tarkista että johto on liitetty kunnolla.

## !! ILMOITUS

- Kun keskeytät harjoittelun 4 minuutiksi, päänäyttö kytkeytyy pois päältä.
- Jos tietojen esitys näytössä on epätavallista, asenna paristot uudestaan ja katso onko ongelma poistunut.

## Epätasainen tunne käytön aikana

Jos kone tuntuu epävakaalta tai epävakaalta käytön aikana, kannattaa säätää tukijalat, jotta runko on oikeaan korkeuteen. Lue tämän käyttöoppaan ohjeet isoista: "Käyttö"

## Kuljetus ja säilytys

### ⚠ VAROITUS

- Vähintään kahden henkilön on kannettava ja siirrettävä laitetta.

- Seisokaa laitteen edessä sen kummallakin puolella ja tarttukaa tiukasti kiinni käsitangoista. Nostakaa laitetta siten, että laitteen takapää on pyöriällä. Siirtäkää laite ja laskekaa se varovasti alas. Asettakaa laite suojalustalle lattiapinnan vaurioiden estämiseksi.
- Siirrä laitetta varovasti epätasaisilla pinnoilla. Älä siirrä laitetta yläkertaan pyöriä käyttäen. Suorita siirto kahvatuista kantaen.
- Säilytä laitetta kuivassa, mahdollisimman tasalämpötilaisessa paikassa.

## Takuu

### Tunturi-kuntolaitteen omistajan takuu

#### Takuuehdot

Kuluttaja on oikeutettu soveltuviin, kansallisessa kuluttajatuotteiden kauppaa koskevassa lainsäädännössä mainittuihin lakisääteisiin oikeuksiin. Tämä takuu ei rajoita näitä oikeuksia. Ostajan takuu on voimassa vain, jos tuotetta käytetään ympäristössä, jonka Tunturi New Fitness BV on kyseiselle laitteelle hyväksynyt. Kunkin tuotteen sallitut käyttöympäristöt ja huolto-ohjeet on esitetty tuotteen käyttöohjeessa. Käyttöohje on ladattavissa verkkosivustoltamme. <http://manuals.tunturi.com>

#### Takuuehdot

Takuuehdot tulevat voimaan tuotteen ostopäivästä lukien. Takuuehdot voivat olla erilaiset eri maissa, joten pyydä takuuehdot paikalliselta jälleenmyyjältä.

#### Takuun kattavuus

Missään olosuhteissa Tunturi New Fitness BV tai Tunturi-jälleenmyyjä ei vastaa ostajalle mahdollisesti aiheutuvista välillisistä vahingoista, kuten käyttöhyödyn tai tulojen menetyksestä taikka muista taloudellisista seurausvahingoista.

#### Takuun rajoitukset

Takuu kattaa työstä ja materiaalista johtuvat virheet kuntolaitteessa, joka on alkuperäisessä kokoonpanossaan.

Takuu koskee vain virheitä, jotka ilmenevät normaalissa ja laitteen mukana tulleen ohjekirjan mukaisessa käytössä edellyttäen, että Tunturin asennus-, huolto- ja käyttöohjeita on noudatettu. Tunturi New Fitness BV:n ja Tunturin jälleenmyyjät eivät vastaa virheistä, jotka aiheutuvat heidän vaikutusmahdollisuuksiensa ulkopuolella olevista seikoista. Takuu on voimassa vain niissä maissa, joissa Tunturi New Fitness BV:llä on valtuutettu maahantuojia. Takuu ei koske sellaisia kuntolaitteita tai osia, joita on muutettu ilman Tunturi New Fitness BV:n suostumusta. Takuu ei koske virheitä, jotka johtuvat luonnollisesta kulumisesta, virheellisestä käytöstä, käytöstä olosuhteissa, joihin kuntolaitetta ei ole tarkoitettu, korroosiosta tai lastaus- tai kuljetusvahingoista.

Takuu ei koske käyttöäniä, jotka eivät olennaisesti haittaa laitteen käyttöä eivätkä johdu laitteesta olevasta virheestä.

Takuu ei myöskään sisällä kunnossapitotoimenpiteitä, kuten puhdistusta, voitelua tai sen osien normaalia tarkistamista, eikä sellaisia asennustoimenpiteitä, jotka asiakas voi suorittaa itse ja jotka eivät edellytä erityistä kuntolaitteen purkamista / kokeamista. Tällaisia toimenpiteitä ovat esim. mittareiden, polkimien tai muiden vastaavien yksinkertaisten osien vaihdot. Muun kuin valtuutetun Tunturi-edustajan suorittamia takuukorjauksia ei korvata. Laitteen käyttöohjeen noudattamatta jättäminen aiheuttaa takuun raukeamisen.

## Tekniset tiedot

Parametri	Mittayksikkö	Arvo
Pituus	cm	156.0
	inch	61.4
Leveys	cm	59.0
	inch	23.2
Korkeus	cm	142.0
	inch	55.9
Paino	kg	53.2
	lbs	117.3
Suurin sallittu käyttäjän paino	kg	180
	lbs	397
Muuntajan lähtötiedot	Jännite Ampeeri	9V-DC 2.0 A
Syke voidaan mitata seuraavasti:	käsihivojen anturit	Joo
	5.0 Khz	Ei
	5.3 Khz.	Ei
	Bluetooth (BLE)	Joo
	ANT+	Ei

### !! HUOMAUTUS

- Jos haluat tietää tuotteen mitat ja toiminnalliset mitat, katso kuva H.

## Valmistajan vakuutus

Tunturi New Fitness BV vakuuttaa, että Platinum S20 Kilpapyörä on seuraavien standardien ja direktiivien mukainen:

- RoHS-direktiivi (2011/65/EU)
- Yleinen tuoteturvallisuusasetus (GPSR) – (EU) 2023/988

Täten Tunturi New Fitness BV vakuuttaa, että radiolaitetyyppinen Platinum S20 Kilpapyörä harjoituslaite on direktiivin mukainen 2014/53/EU.

Vaatumustenmukaisuusvakuutus, joka sisältää kaikki standardit ja direktiivit, on ladattavissa verkkosivustoltamme: <https://doc.tunturi.com>

Tunturi New Fitness BV  
Purmerweg 1  
1311 XE Almere  
Alankomaat

## Vastuuvapauslauseke

© 2025 Tunturi New Fitness BV  
Kaikki oikeudet pidätetään.

- Tuote ja käyttöopas saattavat muuttua.
- Teknisiä tietoja saatetaan muuttaa ilman eri ilmoitusta.
- Katso käyttöohjeiden uusin versio verkkosivustoltamme.

**TUNTURI**®

**FEEL BETTER EVERY DAY**

**TUNTURI NEW FITNESS B.V.**

Purmerweg 1  
1311 XE Almere  
The Netherlands

P.O. Box 60001  
1320 AA Almere  
The Netherlands

info@tunturi.com  
www.tunturi.com



20260109-W